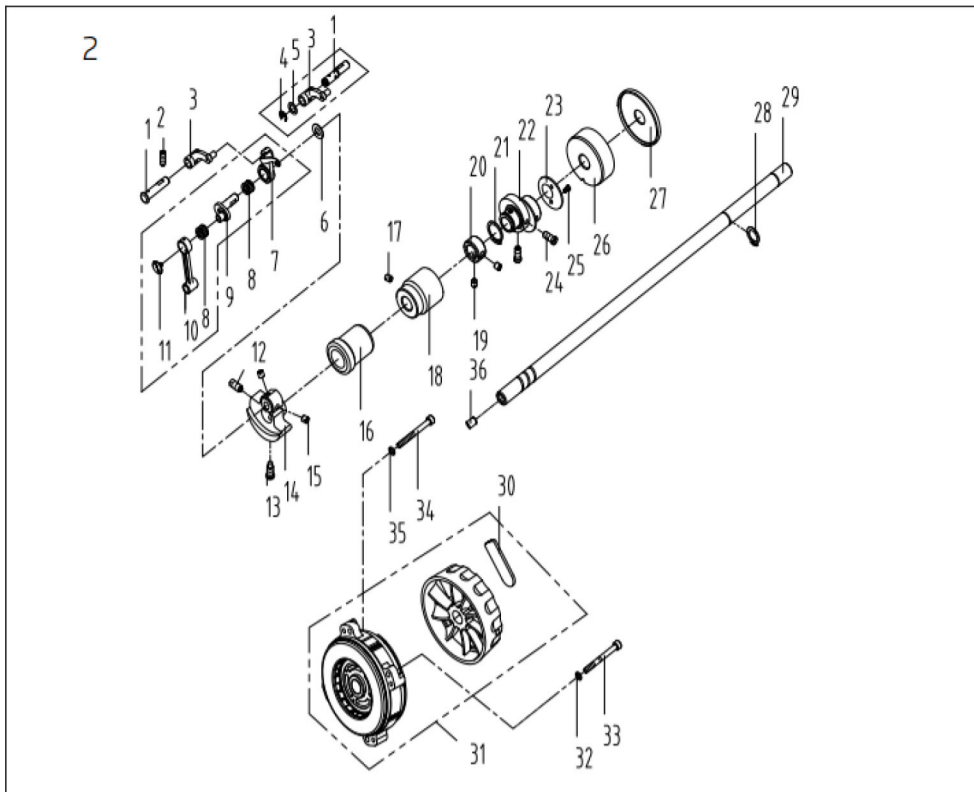


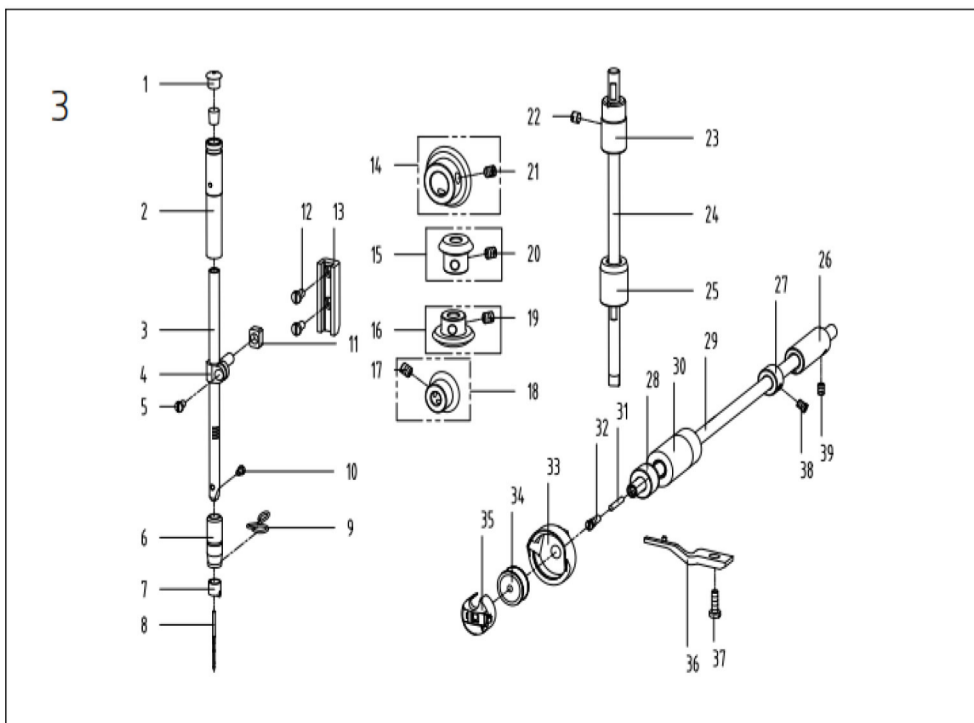
1. 机壳、外装分组件/Machine Frame & Miscellaneous Cover Components

序号NO.	公司件号	Part NO.	名称	PartName	零件描述	Description	数量	Number
1	101S1001		后窗板螺钉SM3/16"×28 L=9		Screw SM3/16"×28 L=9		3	
2	10122003		面板调节孔螺塞		Rubber plug		2	
3	13837002		商标牌		Head card		1	
4	302893		面板(喷漆)		Face plate asm		1	
5	13813005		左线钩		Thread guide left		1	
6	101S1007		右线钩螺钉SM11/64"×40 L=6		Screw SM11/64"×40 L=6		1	
7	10122114		面板垫		Face plate gasket		1	
8	101S11027		防油板螺钉SM1/8"×44 L=3.4		Screw SM1/8"×44 L=3.4		1	
9	10412007		面部防油板		Face oil shield asm.		1	
	11412082		面部防油板(厚料)		Face oil shield asm. (H)		1	
10	10123002		针杆上毡塞		Rubber plug		1	
11	10122013		针杆上衬套孔塞		Rubber plug		1	
12	10122005		挑线连杆销螺孔塞		Rubber plug		1	
13	10122004		针杆曲柄螺孔塞		Rubber plug		1	
14	101S11004		挑线杆护罩螺钉SM3/16"×28 L=7		Screw SM3/16"×28 L=7		1	
15	13812018		挑线杆防护罩		Thread take-up lever cover		1	
16	101S11004		挑线杆护罩螺钉SM3/16"×28 L=7		Screw SM3/16"×28 L=7		1	
17	13512004		三孔线勾		3-hole thread guide		1	
18	10122005		挑线连杆销螺孔塞		Rubber plug		1	
19	114S11015		割线刀螺钉SM9/64"×40 L=6		Screw SM9/64"×40 L=6		2	
20	11419001		割线刀		Knife		1	
21	20722002		油塞		Rubber plug		1	
22	10122113		后窗板垫		Side plate gasket		1	
23	302892		后窗板(喷漆)		Side plate		1	
24	101S11001		后窗板螺钉SM3/16"×28 L=9		Screw SM3/16"×28 L=9		11	
25	114S30001		螺栓(内六角)		Screw M5×25		3	
26	114S13001		直驱电机螺钉M5×20		Screw M5×20		3	
27	10133100		平缝一体机控制器(T19)		Electronic control box		1	
28	10122006		送料调节器孔塞		Rubber plug		1	
29	10122007		下轴工艺孔塞		Rubber plug		1	
30	101S12001		底板支柱		Machine head stud Electronic		4	
31	W06001		双面齿垫圈		Washer		1	
32	10113041		二眼线勾		2-hole thread guide		1	
33	206S11002		螺钉		Screw		2	
34	10113004		右线钩		Thread guide right		1	
35	101S11007		右线钩螺钉SM11/64"×40 L=6		Screw SM11/64"×40 L=6		1	
36	101S15006		螺钉SM15/64"×28 L=7		Screw SM15/64"×28 L=7		1	
37	11326012		松线钉		Tension release pin		1	
38	10122014		挑线簧调节座O型圈		Rubber ring		1	
39	101S15005		夹线紧固螺钉SM9/64"×40 L=5.5		Screw SM9/64"×40 L=5.5		1	
40	10127001		挑线簧		Thread take-up spring		1	
	10127031		挑线簧(厚料)		Thread take-up spring(H)		1	
41	10103011		挑线簧调节座		Thread tension base		1	
42	10112005		夹线板		Thread tension disk		2	
43	10112006		松线板		Disk stopper		1	
44	101S30002		夹线螺钉		Thread tension post		1	
	10127002		夹线弹簧		Thread tension spring A		1	
45	11427050		夹线弹簧(厚料)		Thread tension spring A (H)		1	
46	10112007		夹线制动板		Thread disk rotating stopper		1	
47	138S16013		夹线螺母		Thread tension nut		1	
	1381300500		夹线器组件		Thread tension asm.		1	
48	1381300700		夹线器组件(厚)		Thread tension asm.(H)		1	
49	11413011		固定式缓线钩		Thread guide		1	
50	401S16001		螺母SM9/64"×40		Nut SM9/64"×40		1	
51	101S11002		卷边器座螺钉SM11/64"×40 L=5.5		Screw SM11/64"×40 L=5.5		1	
52	13812111		卷边器座		Ruler stop seat		1	
53	104S17002		针板螺钉(进口) SM11/64"×40		Screw SM11/64"×40		2	
	11414006		针板		Needle plate		1	
54	10815001		针板(-7)		Needle plate(-7)		1	
	11315001		针板(厚料)		Needle plate(H)		1	
55	10115002		推板		Slide plate		1	
56	10127009		推板簧		Slide plate spring		1	
57	101S11019		推板簧螺钉SM3/32"×56 L=2		Screw SM3/32"×56 L=2		2	
58	1013001900		LED开关灯组件		Washer		1	
59	101S11001		后窗板螺钉SM3/16"×28 L=9		Screw SM3/16"×28 L=9		1	
60	10113051		电线压板		Cord hold		1	
61	W01009		GB/T97.1-1985垫圈 5		Washer5		4	



2. 上轴挑线分组件/Main Shaft & Thread Take-up Components

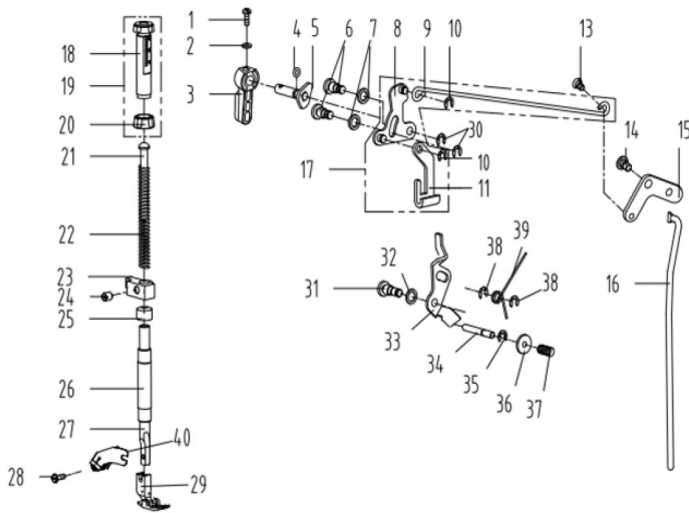
序号NO.	公司件号	Part NO.	名称	PartName	零件描述	Description	数量	Number
1	10126001		挑线连杆销 (厚料)	Thread take-up connecting rod pin(H)			1	
	11326013		挑线连杆销	Thread take-up connecting rod pin			1	
	11326010		挑线连杆销 (-7)	Thread take-up connecting rod pin			1	
2	101515001		上轮螺钉 SM15/64"x28 L=15	Screw SM15/64"x28 L=15			1	
3	10105001		挑线连杆 (厚料)	Thread take-up connecting rod(H)			1	
	11305010		挑线连杆	Thread take-up connecting rod			1	
4	H05013		GB/T896-1986挡圈	Snap ring			1	
5	11328010		垫片	washer			1	
6	10112003		针杆曲柄护板	Needle bar crank protecting plate			1	
7	1013800100		挑线杆分组件	Thread take-up lever asm.			1	
	1133800200		挑线杆分组件 (厚料、-7)	Thread take-up lever asm.(H)			1	
8	10124001		挑线杆滚针轴承	Needle bearing			1	
9	11310012		挑线曲柄分部件	Thread take-up crank			1	
	1011000400		挑线曲柄分部件 (厚料)	Thread take-up crank(H)			1	
	11310010		挑线曲柄分部件 (-7)	Thread take-up crank			1	
10	10105002		针杆连杆	Needle bar connecting rod			1	
11	101517001		挑线曲柄螺钉 (左旋)	Screw			1	
12	101515004		针杆曲柄紧固螺钉 SM9/32"x28 L=16	Screw SM9/32"x28 L=16			1	
13	101511003		针杆曲柄定位螺钉SM9/32"x28 L=16	Screw SM9/32"x28 L=16			1	
14	10404001		针杆曲柄	Needle bar crank			1	
	11404035		针杆曲柄 (厚料、-7)	Needle bar crank(H)			1	
15	101515002		送料轴挡圈螺钉SM1/4"x40 L=6	Screw SM1/4"x40 L=6			2	
16	1010300400		上轴前轴套组件	Main shaft bushing front			1	
17	101515006		夹线器螺钉SM15/64"x28 L=7	Screw SM15/64"x28 L=7			1	
18	12203002		主轴中轴套	Main shaft bushing mid			1	
19	101514001		上轴中套螺钉SM1/4"x40 L=6	Screw SM1/4"x40 L=6			2	
20	10108001		上轴挡圈	Main shaft thrust collar			1	
21	H03002		挡圈20	Snap ring 20			1	
22	11310014		送料偏心轮	Feed eccentric cam			1	
	400006		送料偏心轮(厚料)	Feed eccentric cam (H)			1	
23	10112017		送料偏心轮盖板	Cover plate			1	
24	101511013		送料偏心轮螺钉 SM1/4"x40 L=13	Screw SM1/4"x40 L=13			2	
25	101511005		护针片螺钉 SM9/64"x40 L=5	Screw SM9/64"x40 L=5			2	
26	10103026		上轴后轴套	Main shaft bushing rear			1	
27	10122105		上轴后套挡油油封	Oil seal			1	
28	H03001		GB/T894.1-1986挡圈15	Snap ring 15			1	
29	10102026		上轴	Main shaft			1	
30	13811021		手轮贴条	Handwheel lable			1	
31	10133045		MF4-25A平缝一体机电机	Motor			1	
32	GB/T93-1987		弹垫5	Spring washer 5			3	
33	114513001		直驱电机螺钉M5×20	Screw M5×20			3	
34	S05218		内六角螺钉M5×22 (镀镍)	Screw M5×22			1	
35	GB/T93-1987		弹垫5	Spring washer 5			1	
36	10122012		上轴孔塞	Rubber plug			1	



### 3. 针杆、竖轴、下轴部件/Needle bar,Upright Shaft & Hook Driving Shaft Components

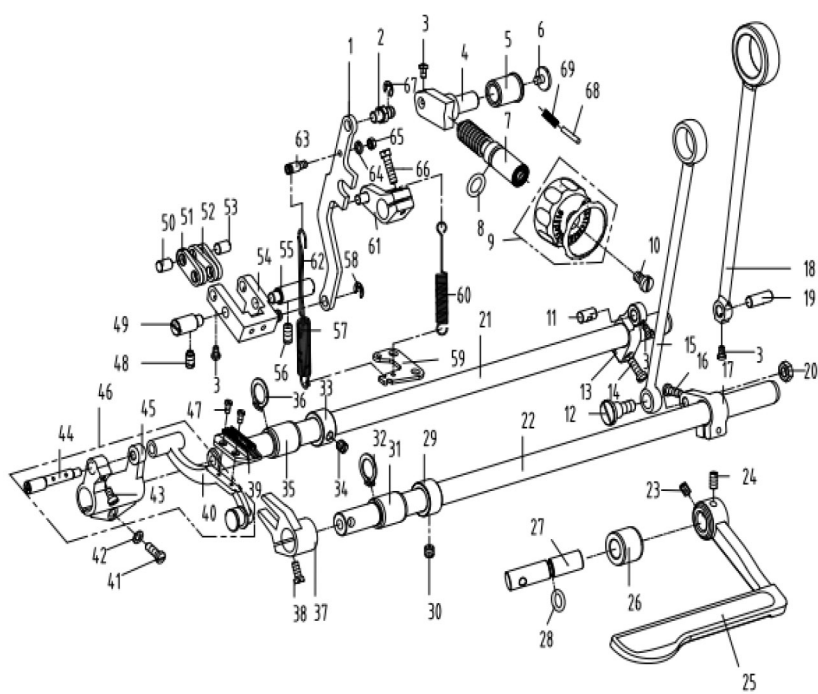
序号NO.	公司件号	Part NO.	名称	PartName	零件描述	Description	数量	Number
1	10122013		针杆上衬套孔塞		Rubber plug		1	
2	10103009		针杆上衬套		Needle bar bushing upper		1	
3	10102002		针杆		Needle bar		1	
	10102021		针杆(厚料)		Needle bar (H)		1	
4	10138002		针杆连接柱		Needle bar connecting rod		1	
5	101511005		螺钉 SM9/64"x40 L=6		Screw SM9/64"x40 L=6		1	
	10103010		针杆下衬套		Needle bar bushing lower		1	
	11303023		针杆下衬套(厚料, -7)		Needle bar bushing lower(H)		1	
6	10113002		针杆线钩		Needle bar thread guide		1	
	11412063		针杆线钩(厚料)		Needle bar thread guide(H)		1	
7	10117001		机针DB×1#14		Needle		1	
	10117002		机针DP×5#21(厚料)		Needle(H)		1	
8	10413001		针杆下衬套线钩		Lower bushing thread guide		1	
	10113009		针杆下轴套线钩(厚料, -7)		Lower bushing thread guide(H)		1	
9	101511006		支针螺钉(进口) SM1/8"x44 L=4.5		Screw SM1/8"x44 L=4.5		1	
10	10109001		针杆连接柱滑块		Slide block		1	
11	101511008		滑块导轨螺钉SM11/64"x40 L=8		Screw SM11/64"x40 L=8		2	
12	10109002		针杆接头滑块导轨		Needle bar guide		1	
13	10425004		上轴伞齿轮		Upper shaft bevel gear		1	
14	10425003		竖轴上伞齿轮		Upper small bevel gear asm		1	
15	10425002		竖轴下伞齿轮		lower large bevel gear asm		1	
16	101515007		齿轮螺钉SM1/4"x40 L=7		Screw SM1/4"x40 L=7		2	
17	10425001		下轴伞齿轮		Hook drive shaft bevel gear		1	
18	101515007		齿轮螺钉SM1/4"x40 L=7		Screw SM1/4"x40 L=7		2	
19	101515007		齿轮螺钉SM1/4"x40 L=7		Screw SM1/4"x40 L=7		2	
20	101515007		齿轮螺钉SM1/4"x40 L=7		Screw SM1/4"x40 L=7		2	
21	101515007		齿轮螺钉SM1/4"x40 L=7		Screw SM1/4"x40 L=7		2	
22	101515006		一字开槽紧定螺钉SM15/64"x28 L=4.7		Screw SM15/64"x28 L=4.7		1	
23	10403014		竖轴上轴套		Upright shaft bushing upper		1	
24	10102007		竖轴		Upright shaft		1	
25	10403013		竖轴下轴套		Upright shaft bushing lower		1	
26	10103079		下轴后轴套		Hook driving shaft bushing back		1	
27	10108002		下轴挡圈		Hook driving shaft snap ring		1	
28	10122015		下轴油封		Thrust collar		1	
29	10102006		下轴		Hook driving shaft		1	
30	10103078		下轴前轴套		Hook driving shaft bushing front		1	
31	10123009		下轴限油芯		Oil wick		1	
32	101530005		下轴限油螺钉		set screw		1	
33	10118006		普通车国产中厚料旋梭(扩大缝切范围)		Hook asm ( Hirose )		1	
	10118007		厚料旋梭(扩大缝切范围)		Hook asm ( H )		1	
34	10118003		梭心		Bobbin		1	
35	10118021		梭壳		Bobbin case asm.		1	
36	10112016		旋梭定位钩		Finger postioner		1	
37	10112032		旋梭定位钩(厚料)		Finger postioner(H)		1	
38	101511011		牙架曲柄螺钉 SM11/64"x40 L=13		Screw SM11/64"x40 L=13		1	
39	101511012		下轴挡圈螺钉 SM11/64"x40 L=4.8		Screw SM11/64"x40 L=4.8		2	
40	101515006		下轴后套螺钉SM11/64"x40 L=7		Screw SM11/64"x40 L=7		1	

4



#### 4. 压料分组件/Presser Bar Components

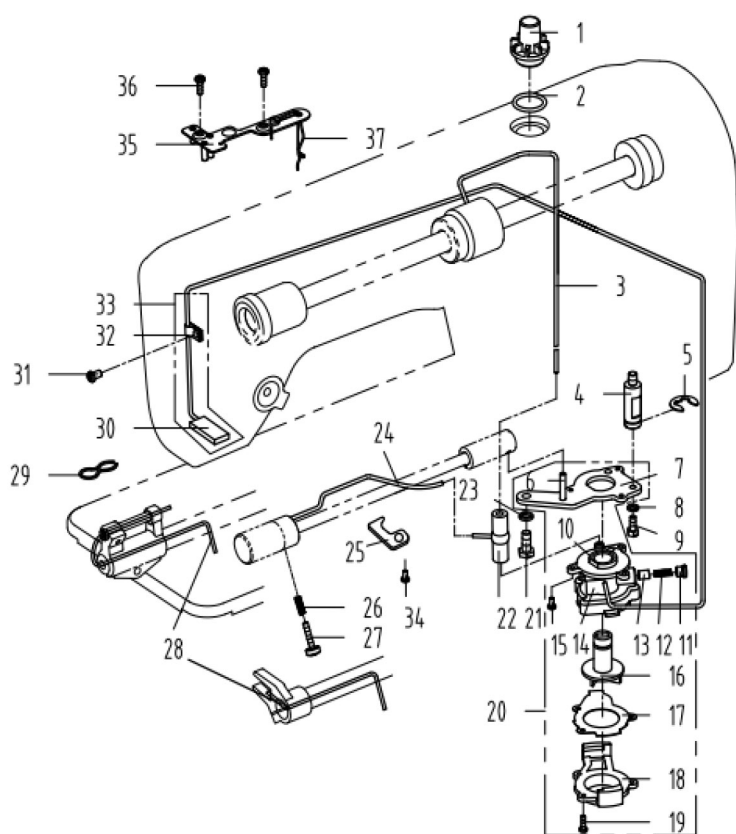
序号NO.	公司件号	Part NO.	名称	PartName	零件描述	Description	数量	Number
1	101S11010		压脚扳手螺钉SM9/64"x40 L=11		Screw SM9/64"x40 L=11		1	
2	10128002		压脚扳手螺钉垫圈		Washer		1	
3	13811029		压脚扳手		Hand lifter		1	
4	001004		O型圈		Rubber ring		1	
5	101100020		压脚扳手凸轮分部件		Hand lifter cam asm.		1	
6	101S20001		前杠杆螺纹销		Screw		2	
7	10128015		螺纹销橡胶垫圈(厚)		Washer(H)		2	
8	1011200100		抬压脚前杠杆分部件		Lift front lever component		1	
9	10112013		抬压脚拉杆		Knee lifter pull rod		1	
10	H05003		GB/T896-1986挡圈 5		Snap ring		2	
11	10112010		压脚升降板		Lifting plate		1	
13	101S20004		抬压脚拉杆螺钉SM3/16"x32		Hinge Screw SM3/16"x32		1	
14	101S20003		后杠杆轴位螺钉SM15/64"x28		Hinge screw SM15/64"x28		1	
15	10112014		抬压脚后杠杆		Knee lifter back lever		1	
16	10112015		抬压脚顶杆		Knee lifter connecting rod		1	
17	1011200200		抬压脚前杠杆组件		Knee lifter lever asm		1	
18	13811027		调压螺钉		Press regulating screw		1	
	1138NS30003		调压螺钉(厚)		Press regulating screw (-H)		1	
19	1381102700		调压螺钉组件		Presser regulating screw nut asm.		1	
20	13811028		调压螺母		Press regulating nut		1	
	1138NS16005		调压螺母(厚)		Press regulating nut (-H)		1	
21	10102003		调压导杆		Press regulating guide bar		1	
22	11427033		调压簧		Press regulating spring		1	
	10127024		调压簧(厚)		Press regulating spring (H)		1	
23	13809030		压杆导架		Presser bar guide bracket		1	
24	101S15007		压杆导架螺钉 SM1/4"x40 L=8		Screw SM1/4"x40 L=8		1	
25	10122112		压杆防油套		Pressure bar oil cover		1	
26	10103012		压杆衬套		Presser bar bushing,lower		1	
27	10102004		压杆		Presser bar		1	
28	101S11009		活压脚螺钉 SM9/64"x40 L=10.5		Screw SM9/64"x40 L=10.5		1	
29	1131600600		压脚组件		Presser foot asm		1	
	1131600100		压脚组件(厚)		Presser foot asm(H)		1	
30	11329020		挡圈 5		Snap ring		5	
31	101S20002		松线顶板螺纹销		Wire release plate pin		1	
32	10128015		螺纹销橡胶垫圈(厚)		Washer(H)		1	
33	10112012		松线顶板		Wire release plate asm		1	
34	10126003		松线辅钉		Thread release supporting pin		1	
35	H05012		松线辅钉挡圈		Snap ring		1	
36	10128001		松线辅钉垫片		Washer plate		1	
37	10127003		松线辅钉弹簧		Spring		1	
38	H05003		挡圈 5		Snap ring		2	
39	10127008		松线顶板复位簧		Spring		1	
40	1011900100		割线刀组件		Knife		1	



## 5. 送料分组件/Feed Mechanism Components

序号NO.	公司件号	Part NO.	名称	PartName	零件描述	Description	数量	Number
1	10105007		倒送料连杆		Reverse feed connecting rod		1	
2	11426021		倒送料连杆销		Connecting rod pin		1	
	11326011		倒送料连杆销 (-7)		Connecting rod pin		1	
3	101511005		螺钉 SM9/64"x40 L=6		Screw SM9/64"x40 L=6		6	
4	11401015		送料调节器		Feed regulator		1	
5	10403017		送料调节器轴套		Feed regulator bushing		1	
6	101511023		送料调节器轴端螺钉SM3/16"x28 L=6.5		Screw SM3/16"x28 L=6.5		1	
7	10126045		标盘螺栓		Feed regulator stud		1	
8	10122016		送料调节螺钉O形圈		Rubber ring		1	
9	1011107000		标盘旋钮组件		Knob component		1	
	1011107100		标盘旋钮组件 (-7)		Knob component		1	
10	101511022		送料距旋钮螺钉SM3/16"x28 L=18		Screw SM3/16"x28 L=18		1	
11	10126011		送料曲柄销		Feed rocker crank pin		1	
12	101520005		拾牙连杆轴位螺钉 SM9/32"x28 L=13.5		Screw SM9/32"x28 L=13.5		1	
13	10104002		送料曲柄		Feed rocker shaft crank		1	
	11304010		送料曲柄 (-7)		Feed rocker shaft crank		1	
14	101511016		送料曲柄螺钉SM3/16"x28 L=14		Screw SM3/16"x28 L=14		1	
15	400093		拾牙连杆		Connecting rod		1	
16	101511016		送料曲柄螺钉 SM3/16"x28 L=14		Screw SM3/16"x28 L=14		1	
17	10104004		拾牙后曲柄		Feed driving shaft crank		1	
18	400091		送料连杆		Rocker shaft connecting rod		1	
	400083		送料连杆 (-7)		Rocker shaft connecting rod		1	
19	10126006		送料连杆销		Connecting rod pin		1	
20	101516003		拾牙连杆轴位螺母 SM9/32"x28 L=4		Hinge Screw SM9/32"x28 L=4		1	
21	10102008		送料轴		Feed rocker shaft		1	
22	11202001		拾牙轴		Feed driving shaft		1	
23	101515006		夹线器螺钉		Screw		1	
24	101515013		螺钉SM15/64"x28 L=10		ScrewSM15/64"x28 L=10		1	
25	302933		倒缝扳手 (喷漆)		Reverse feed lever asm		1	
26	10103024		倒送料轴轴套		Reverse feed shaft bushing back		1	
27	10102023		倒缝送料轴		Reverse feed shaft		1	
28	10122017		倒送料轴O形圈		Rubber ring		1	
29	10108003		送料轴挡圈		Feed rocker shaft snap ring		4	
30	101515002		送料轴挡圈螺钉SM1/4"x40 L=6		Screw SM1/4"x40 L=6		2	
31	10403015		轴套		Bushing		1	
32	H03001		GB/T894.1-1986挡圈 15		Snap ring 15		2	
33	10108003		送料轴挡圈		Feed rocker shaft snap ring		1	
34	101515002		送料轴挡圈螺钉SM1/4"x40 L=6		Screw SM1/4"x40 L=6		2	
35	10403015		轴套		Bushing		1	
36	H03001		GB/T894.1-1986挡圈 15		Snap ring 15		1	
37	10104007		拾牙叉形曲柄		Driving shaft crank		1	
	10804003		拾牙叉形曲柄 (-7)		Driving shaft crank		1	
38	116511005		拾牙叉形曲柄螺钉SM11/64"x40 L=13		Screw SM11/64"x40 L=13		1	
	11414002		送料牙		Feed dog		1	
39	11314001		送料牙 (厚料)		Feed dog(H)		1	
	11814001		送料牙 (-7)		Feed dog		1	
40	11380700300		牙架		Feed bar asm.		1	
41	101511016		送料曲柄螺钉SM3/16"x28 L=14		Screw SM3/16"x28 L=14		1	
42	10128003		牙架座螺钉垫圈		Washer		1	
43	101511025		复位板螺钉SM11/64"x40 L=7		Screw SM11/64"x40 L=7		1	
44	10126013		牙架销		Feed bar pin		1	
45	10101003		牙架座		Feed bar bed.		1	
46	400689		牙架组件(成品)		Feed bar asm.		1	
47	101511018		送料牙螺钉 SM1/8"x44 L=6		Screw SM1/8"x44 L=6		2	
48	101515010		左销螺钉 SM15/64"x28 L=10.5		Screw SM15/64"x28 L=10.5		1	
49	10126009		送料摆动板座左销		Left pin		1	
50	10126007		短摆动板连杆销		Connecting pin		1	
51	10109005		送料短摆动板		Feed short shaking plate		1	
52	10109004		送料长摆动板		Feed long shaking plate		1	
53	10126007		短摆动板连杆销		Connecting pin		1	
54	1010100200		送料摆动板座分部件		Feed shaking plate bed components		1	
55	10126010		送料摆动板座右销		Right pin		1	
56	101515010		左销螺钉SM15/64"x28 L=10.5		Screw SM15/64"x28 L=10.5		2	
57	11427011		送料调节弹簧		Spring		1	
58	H05003		挡圈5		Snap ring 5		1	
59	11412081		拉簧固定板		Pull spring fixing plate		1	
60	10127011		倒送料拉簧		Reverse feed pull spring		1	
61	1140402700		倒送料曲柄组件		Feed reverse crank asm.		1	
	1130402800		倒送料曲柄组件 (-7)		Feed reverse crank asm.		1	
62	11321005		油管		Tube		1	
63	114530007		弹簧悬置螺钉		Screw		1	
64	W02015		GB/T93-1987 弹簧垫圈M4		Spring washer M4		1	
65	114516004		螺母SM11/64"x40		Nut SM11/64"x40		1	
66	S01102		螺钉		Screw		1	
67	11329020		挡圈5		Snap ring 5		1	
68	10126015		送料距锁合销		Pin		1	
69	10127010		送料距锁合簧		Spring		1	

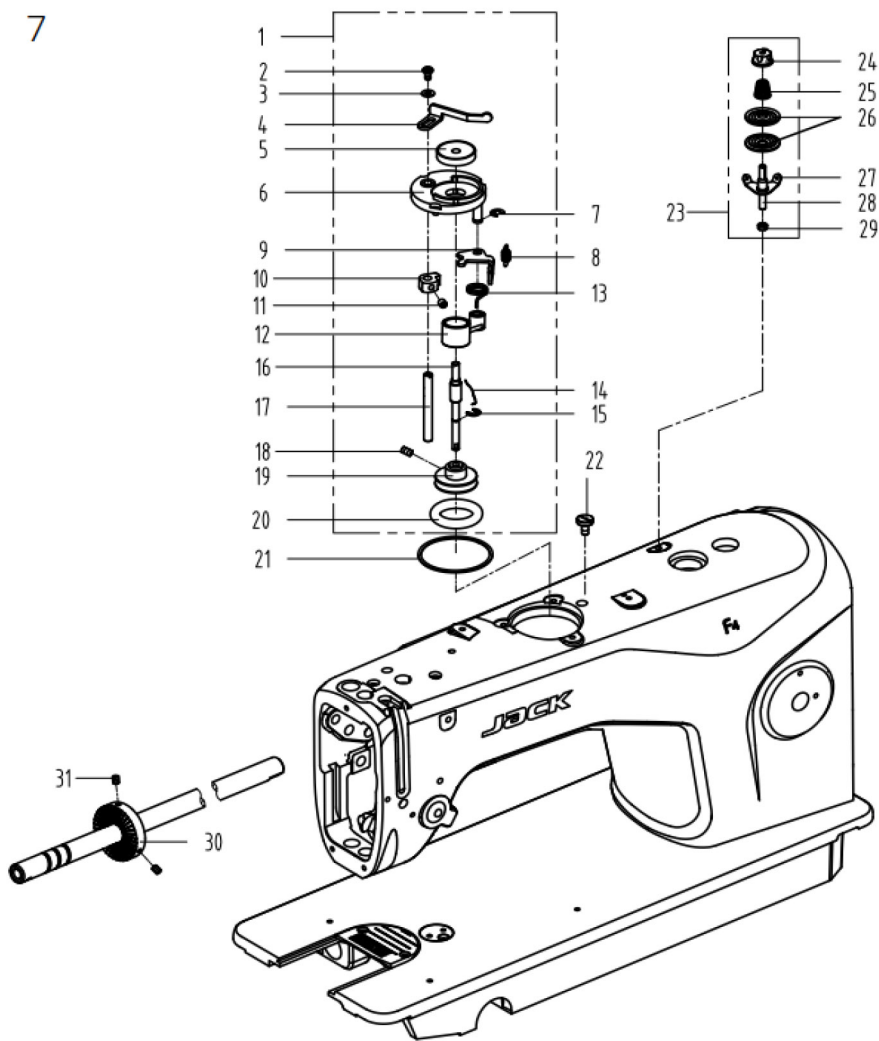
6



## 6. 润滑、油量检测组件/Oil Lubrication、Oil Measuring Components

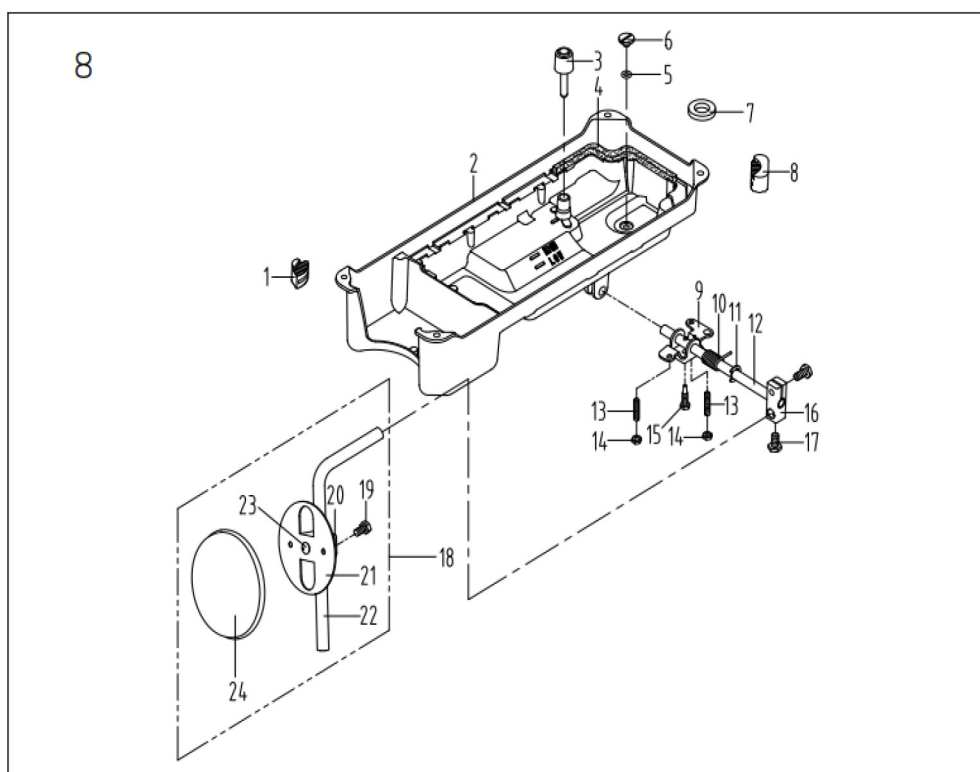
序号NO.	公司件号	Part NO.	名称	PartName	零件描述	Description	数量	Number
1	11211004		油窗		Oil sight window		1	
2	10122019		油窗O形圈		Rubber ring		1	
3	13821008		上轴供油管		Main shaft oil tube		1	
4	101530008		油泵连接螺柱		Oil pump connecting stud		1	
5	11329010		开口挡圈10		Snap ring 10		1	
6	10121001		下轴供油管		Hook driving shaft oil tube		1	
7	10112020		油泵安装板		Oil pump installing base		1	
8	W03002		弹垫		Spring washer		1	
9	10151101		压脚螺钉SM11/64 " ×40 L=9.5		Screw SM11/64 " ×40 L=9.5		1	
10	10103022		油泵体衬套		Oil pump bushing		1	
11	101530007		柱塞螺钉		Plunger Screw		1	
12	10127013		柱塞簧		Plunger spring		1	
13	10122018		回油柱塞		Plunger		1	
14	10120001		油泵体		Oil pump		1	
15	504093		油泵螺钉		Screw		3	
16	10111003		油泵叶轮		Oil pump impeller		1	
17	10112021		油泵叶轮托板		Oil pump impeller cover		1	
18	10111007		油泵盖		Lubricating oil pump cover		1	
19	101530006		螺钉		Screw		3	
20	1012000100		油泵分部件		Lubricating oil pump component		1	
21	101511026		油泵安装螺钉SM15/64 " ×28 L=9		Screw SM15/64 " ×28 L=9		1	
22	10136001		供油管接头		Rubber joint		1	
23	W02004		GB/T93-1987弹垫M6		Spring Washer M6		1	
24	10121009		供油管		Hook oil tube		1	
25	10112022		旋梭供油管压板		Tube holder (lower)		1	
26	10127014		油量调节螺钉弹簧		Spring		1	
27	101530009		油量调节螺钉		Oil volume adjusting screw		1	
28	10423005		油线		Oil wick		1	
29	10127015		回油毡夹		Oil felt clamp		1	
30	10123006		回油毡		Oil felt felt		1	
31	101511004		挑线杆护罩螺钉SM3/16" ×28 L=7		Screw SM3/16" ×28 L=7		1	
32	10112023		回油管夹		Oil tube clamp		1	
33	10121007		回油管部件		Oil return tube component		1	
34	101511026		油泵安装螺钉SM15/64 " ×28 L=9		Screw SM15/64 " ×28 L=9		1	
35	10112025		油线固定板		Oil wick fixing plate		1	
36	101511010		压脚扳手螺钉SM9/64" ×40 L=11		Screw SM9/64" ×40 L=11		2	
37	10123010		油线		Oil wick		1	

7



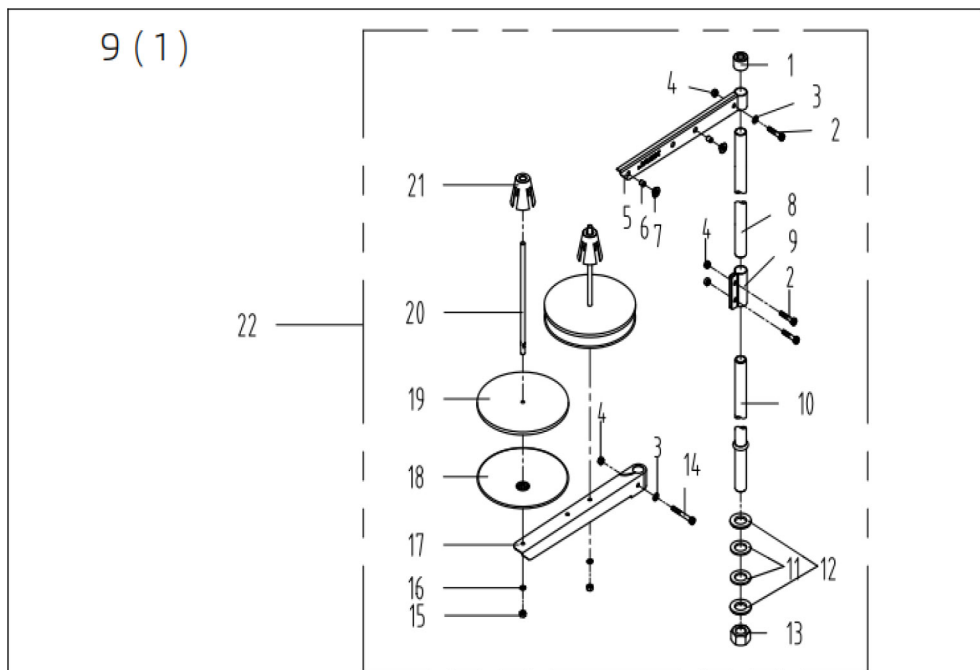
## 7. 绕线器组件/ Bobbin Components

序号NO.	公司件号	Part NO.	名称	PartName	零件描述	Description	数量	Number
1	1383103900		绕线器组件		Bobbin winder asm.		1	
2	114511008		螺钉M4x6		Screw M4x6		1	
3	GB/T97.1		垫圈4		Washer		1	
4	10113030		压线控制板		Thread press control plate		1	
5	1011120		绕线衬垫		Winding pad		1	
6	13831101		绕线器装置主座		Bobbin winder bed		1	
7	GB/T 896-1986		开口挡圈5		Snap ring		1	
8	10127061		复位板拉簧		Spring		1	
9	13812110		调节板		Regulating plate		1	
10	10110030		绕线凸轮		Bobbin winder cam		1	
11	509045		螺钉		Screw		1	
12	1380510600		绕线器连杆组件		Bobbin winder connecting rod		1	
13	13827103		满线复位簧		spring		1	
14	10127060		弹簧		Spring		1	
15	GB/T 896-1986		开口挡圈4		Snap ring		1	
16	13802111		绕线器主轴		Bobbin winder main shaft		1	
17	13802026		绕线凸轮轴		Bobbin winder cam shaft		1	
18	509103		绕线轮螺钉		Screw		2	
19	13831102		绕线轮		Bobbin winder wheel		1	
20	001110		O型圈		Ring		1	
21	11422062		密封垫		Washer		1	
22	114511003		螺钉SM3/16"×28 L=10		Screw SM3/16"×28 L=10		3	
23	1381300600		底盘夹线器		Bobbin thread tension asm.		1	
24	13811004		夹线螺母		Thread tension nut		1	
25	11427006		小夹线弹簧		Spring		1	
26	10112005		夹线板		Thread tension disk		2	
27	11413022		夹线过线板		Thread tension guide plate		1	
28	112513004		夹线螺钉		Screw		1	
29	114516001		螺母SM11/64"×40		Nut SM11/64"×40		1	
30	11435013		绕线器驱动轮		Driving wheel		1	
31	510009		螺钉M6×8		Screw M6×8		2	



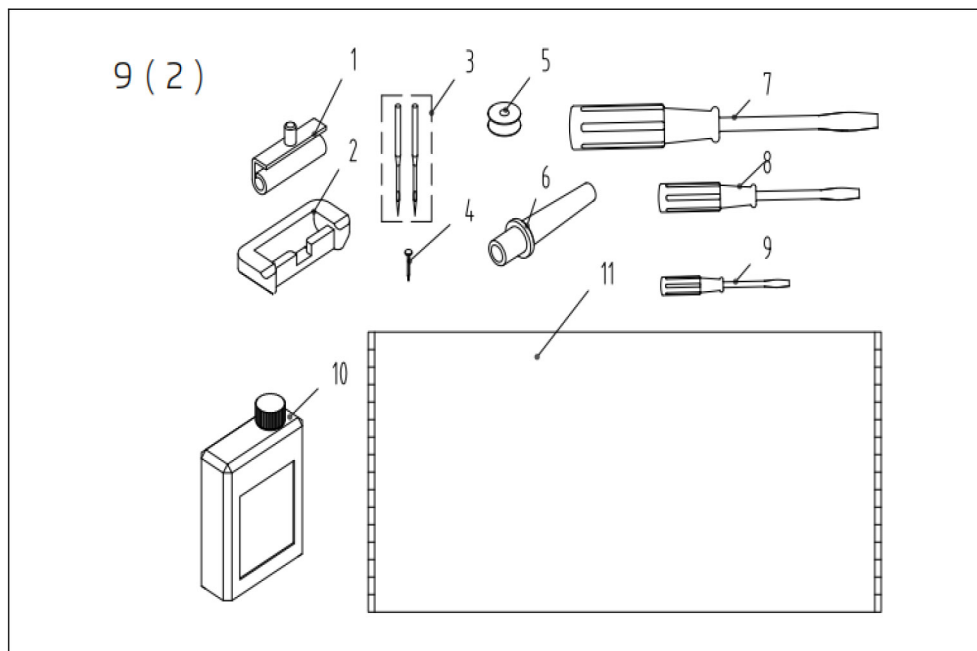
## 8. 油盘、膝抬压脚分组件/Oil Reservoir, Knee Lifter Components

序号NO.	公司件号	Part NO.	名称	PartName	零件描述	Description	数量	Number
1	10122022		油盘座垫		Oil reservoir rubber cushion		2	
2	13801020		油盘		Oil reservoir		1	
3	1011005		抬压脚顶杆		Knee lifter push rod		1	
4	10122020		油盘垫		Oil Reservoir gasket		1	
5	10122021		O形圈		Rubber ring		1	
6	101511028		排油孔螺钉SM5/16"×24 L=7		Screw SM5/16"×24 L=7		1	
7	10131001		油盘磁铁		Oil reservoir magnet		1	
8	10122023		油盘支架		Oil reservoir rubber cushion		2	
9	10112027		抬压脚双向曲柄		Knee lifter crank		1	
10	10127016		双向曲柄扭簧		Knee lifter spring		1	
11	H05010		GB/T896-1986挡圈10		Snap ring 10		1	
12	10102011		抬压脚轴		Knee lifter shaft		1	
13	101515012		双向曲柄限位调节螺钉M6 L=30		Screw M6 L=30		2	
14	101516004		双向曲柄限位调节螺母 M6 L=4		Nut M6 L=4		2	
15	101512002		双向曲柄螺钉 M6 L=26		Screw M6 L=26		1	
16	10101008		抬压脚操纵杆节头		Bearing bracket		1	
17	101512003		螺钉M8 L=16		Screw M8 L=16		1	
18	1011202800		操纵杆组件		Knee press plate asm.		1	
19	101512004		螺钉M6 L=11		Screw M6 L=11		1	
20	10112030		操纵杆节头		Knee press plate holder		1	
21	10112029		操纵板		Knee press plate		1	
22	10112028		操纵杆		Knee press plate rod		1	
23	10122025		操纵杆垫		Rubber		1	
24	10122024		操纵板软垫		Knee press plate cover		1	



### 9. 机头附件(1)/Machine Head Accessories

序号NO.	公司件号	Part NO.	名称	PartName	零件描述	Description	数量	Number
1	20131019		线架杆顶防护橡皮		Spool rest rod rubber cap		1	
2	S04050		十字槽凹穴六角头螺栓 M5 L=16		Screw M5 L=16		3	
3	W01047		垫圈M5		Washer M5		2	
4	N01034		螺母M5		Nut M5		4	
5	13831022		上线架过线杆		Spool rest rod upper		1	
6	10113011		过线圈(内)		Thread guide ring		2	
7	10113010		过线圈(外)		Thread guide ring		2	
8	13831019		线架杆上节		Spool rest rod upper		1	
9	13831021		线架杆接头		Spool rest rod joint		1	
10	13831020		线架杆下节		Spool rest rod lower		1	
11	10122106		橡胶垫圈		Spool rest rod rubber ring		2	
12	W01048		垫圈M16		Washer M16		2	
13	N02008		螺母 M16		Spool rest rod nut M16		1	
14	S04051		十字槽凹穴六角头螺栓 M5		Spool rest arm lower screw M5		1	
15	N01034		螺母 M5		Nut M5		2	
16	W03002		弹簧垫圈 M5		Spring washer M5		2	
17	13831023		下线架过线杆		Spool rest arm lower		1	
18	13831024		线盘		Spool rest		2	
19	20131010		线盘垫		Spool rest cushion		2	
20	20131006		线盘钉		Spool pin		2	
21	13831025		线架防松垫		Spool retainer		2	
22	1383100300		线架组件(蓝色)		Thread stand asm.		1	



### 9. 机头附件(2)/Machine Head Accessories(2)

序号NO.	公司件号	Part NO.	名称	PartName	零件描述	Description	数量	Number
1	1011203100		机头连接钩部件		Hinge component		2	
2	10122060		机头连接钩座		Head connecting rubber cushion		2	
3	10117012		机针DBx1#14 (薄料)		Needle		4	
	10117022		机针DP×5#21 (厚料)		Needle(H)		4	
4	101530010		机头连接钩座钉		Nail		4	
5	10118003		梭心		Bobbin		2	
6	10111011		机头支柱		Machine head rest pin		1	
7	20731047		JK-798-2605螺丝刀		Screw driver,large		1	
8	10131003		螺丝刀(中)		Screw driver,medium		1	
9	10131004		螺丝刀(小)		Screw driver,small		1	
10	1381101200		油箱部件		Oiler component		1	
11	114131001		防尘罩		Dust cover		1	

杰克缝纫机股份有限公司

杰克缝纫机

全球销量遥遥领先

公司地址(Address of Company) :

中国浙江省台州市椒江区三甲东海大道东段1008号

NO.1008, DONGHAI AVENUE EAST, JIAOJIANG DISTRICT,TAIZHOU CITY, ZHEJIANG

邮编( Zip Code ) : 318000

国内销售部(Domestic Trade Department) :

电话(TEL) : 0086-0576-88177788 88177789

传真(FAX) : 0086-0576-88177758

国贸部(International Trade Department) :

电话(TEL) : 0086-0576-88177782 88177774

传真(FAX) : 0086-0576-88177787

服务热线 : 400-8876858

http://www.chinajack.com

资料如有更改, 恕不另行通知, 以实物为准。

You will be not informed if the file has been revised.Please set sample as standard.



请您扫下杰克服务号

www.chinajack.com

2019.10