

MT-90C

零件图册

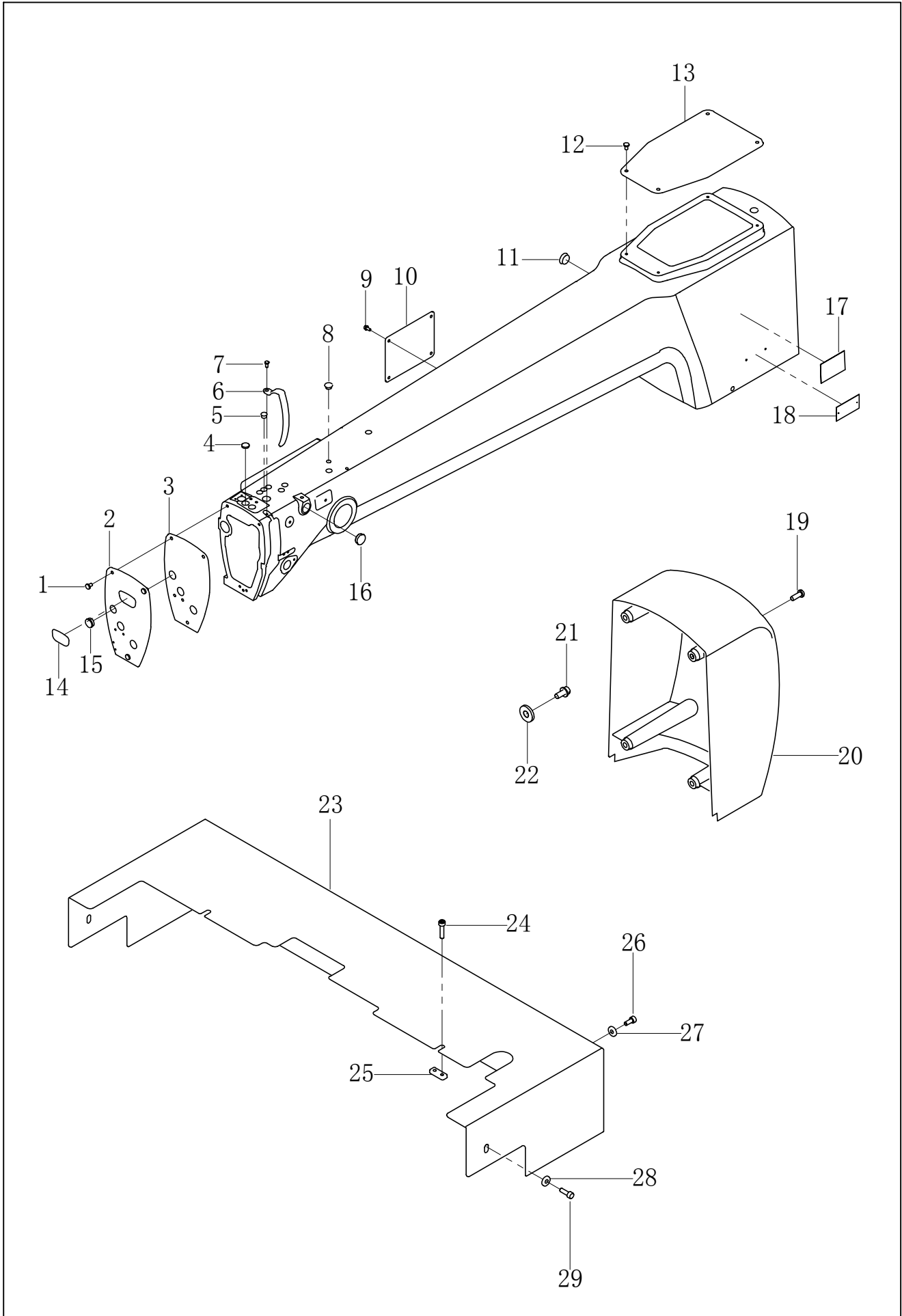
Parts book

JACK 杰克

目录/CONTENTS

A1、	机体部分 / Machine body	1
A2、	主台面部分 / Table mechanism	3
B1	上轴装置 / Upper shaft mechanism	5
B2	针杆装置 / Needle bar mechanism	7
C1、	X送料装置(T) / X Feed mechanism (T)	9
C2、	X送料装置(T) / X Feed mechanism (T)	11
C3、	Y送料装置(T) / Y Feed mechanism (T)	13
C4、	Y送料装置(T) / Y prime mover mechanism	15
C5、	压紧夹具装置(T) / Clamping fixture mechanism (T)	17
C6、	夹扣夹具装置(T) / Clamping fixture mechanism (T)	19
D、	抬压脚装置 / Work clamp lifter mechanism	21
E、	下轴装置 / Lower shaft mechanism	23
F1、	供油润滑装置 / Lubrication	25
F2、	旋梭供油装置(T) / Fusier oil supply mechanism (T)	27
G、	穿线装置 / Threading mechanism	29
H、	卷线装置 / Bobbin winder mechanism	31
J1、	切线装置 / Thread trimmer mechanism	33
J2	切线装置(L) / Thread trimmer mechanism (L)	35
K、	扫线装置 / Thread wiper mechanism	39
L、	松线装置 / Tension release mechanism	41
M1、	控制箱X装置(T) / Control box mechanism (T)	43
M2、	电控柜装置 / Electric control box mechanism	45
P、	空压装置(T) / Air pressure mechanism (T)	47
Q、	电气部品装置 / Power supply equipment mechanism	49
R、	操作界面装置 / Operation interface mechanism	51
T、	大压脚装置 / External work clamp mechanism	53
U、	机架部分 / Talbe mechanism	55
V1	辅助台面装置 / Auxiliary platen mechanism	57
V2	前台面装置 / Front desk mechanism	59
W1、	断线感应装置 / Thread breakage detector mechanism	61
W2、	吹气装置 / Blow mechanism	63
X2、	控制箱D装置 / Operation interface D mechanism	65
X3、	点笔装置 / Point pen mechanism	67
X4、	底线检测装置 / Bottom line detection mechanism	69
Z、	附件 / Accessories	71
Y、	工模具一览表 / Gauge parts list	73

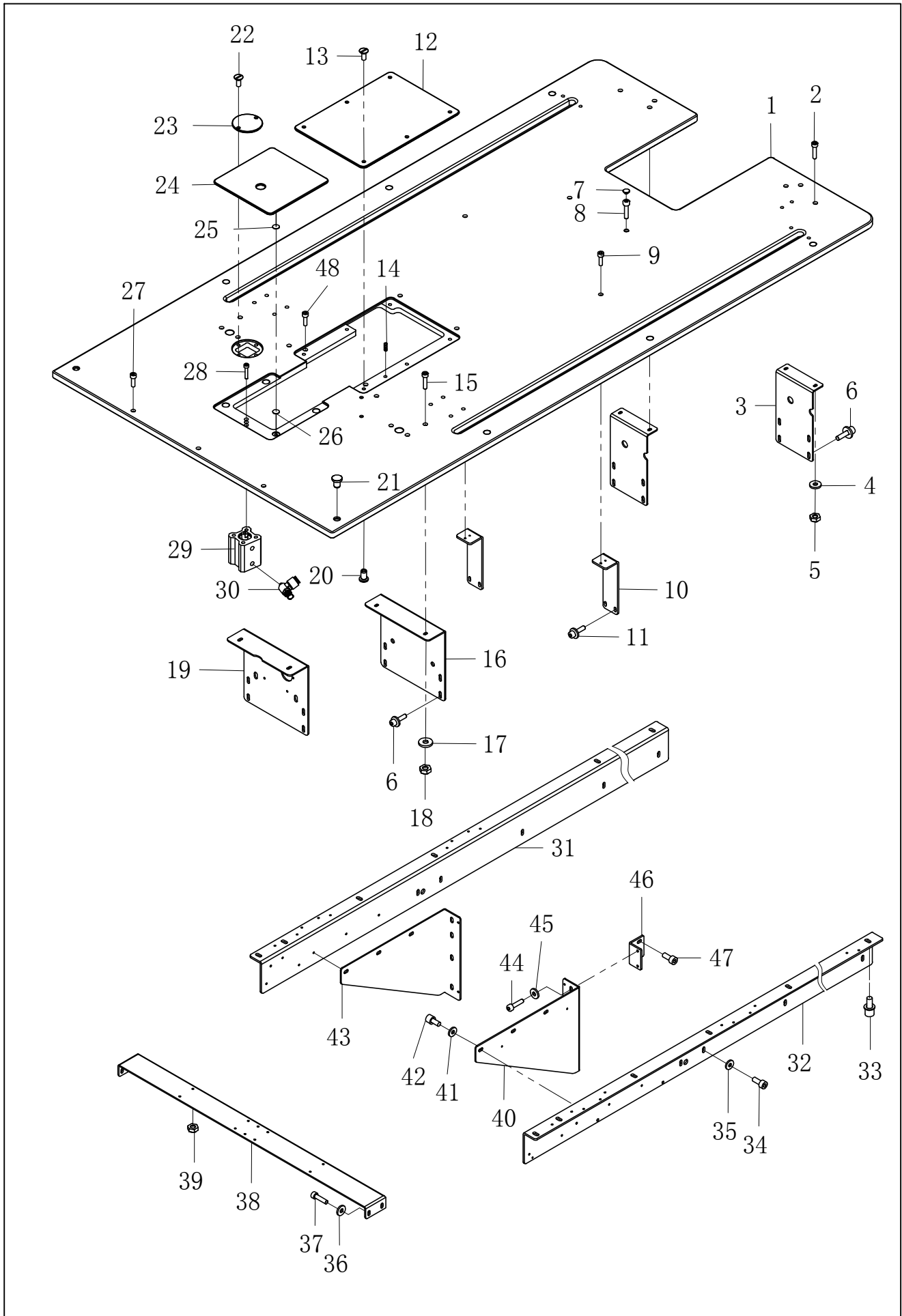
A1、机体部分 / Machine body



A1、机体部分 / Machine body

序号 No.	件号 Part. No.	零部件名称	NAME OF PARTS	数量 Amt.	备注
1	S04028	螺钉M5×8	Screw M5x8	3	
2	303883	面板	Panel	1	41812211
3	41812212	面板垫片	Panel gasket	1	
4	41722009	橡皮塞13	Rubber stopper13	2	
5	10122005	孔塞	Hole plug	7	
6	301760	挑线杆防护罩	Take-up lever protecting cover	1	13512006
7	S04078	螺钉M4×8	Screw M4×8	1	
8	41722003	橡皮塞10.5	Rubber stopper 10.5	3	
9	417S30025	螺栓(带垫圈)M4×10DB	Blot (with washer) M4×10DB	4	
10	304206	Y中窗板	Y middle window panel	1	41812088
11	14222007	上盖橡皮塞	Upper rubber	1	
12	S04028	螺钉M5×8	Screw M5×8	4	
13	304570	上盖板	Up cover plate	1	41812602
14	30337001	商标牌	Trademark card	1	
15	41722004	橡皮塞15.5	Rubber stopper 15.5	3	
16	14222007	上盖橡皮塞	Upper rubber	1	
17	20131063	警告牌	Warning sign	1	
18	41737001	型号牌	model card	1	
19	S04099	螺钉M6×16	Screw M6×16	4	
20	41811211	马达罩	Motor cover	1	
21	417S30025	螺栓(带垫圈)M4×10DB	Blot(with washer) M5×12	2	
22	41828611	平垫圈M5	Flat washer M5	2	
23	304569	电控箱防尘盖	Electric control box dust cover	1	41812601
24	S05068	螺栓M5×20	Blot M5×20	2	
25	41812222	板螺母	Plate nut	2	
26	S05123	螺栓M5×12	Blot M5×12	2	
27	41828611	平垫圈M5	Flat washer M5	2	
28	41828611	平垫圈M5	Flat washer M5	2	
29	S05123	螺栓M5×12	Blot M5×12	2	

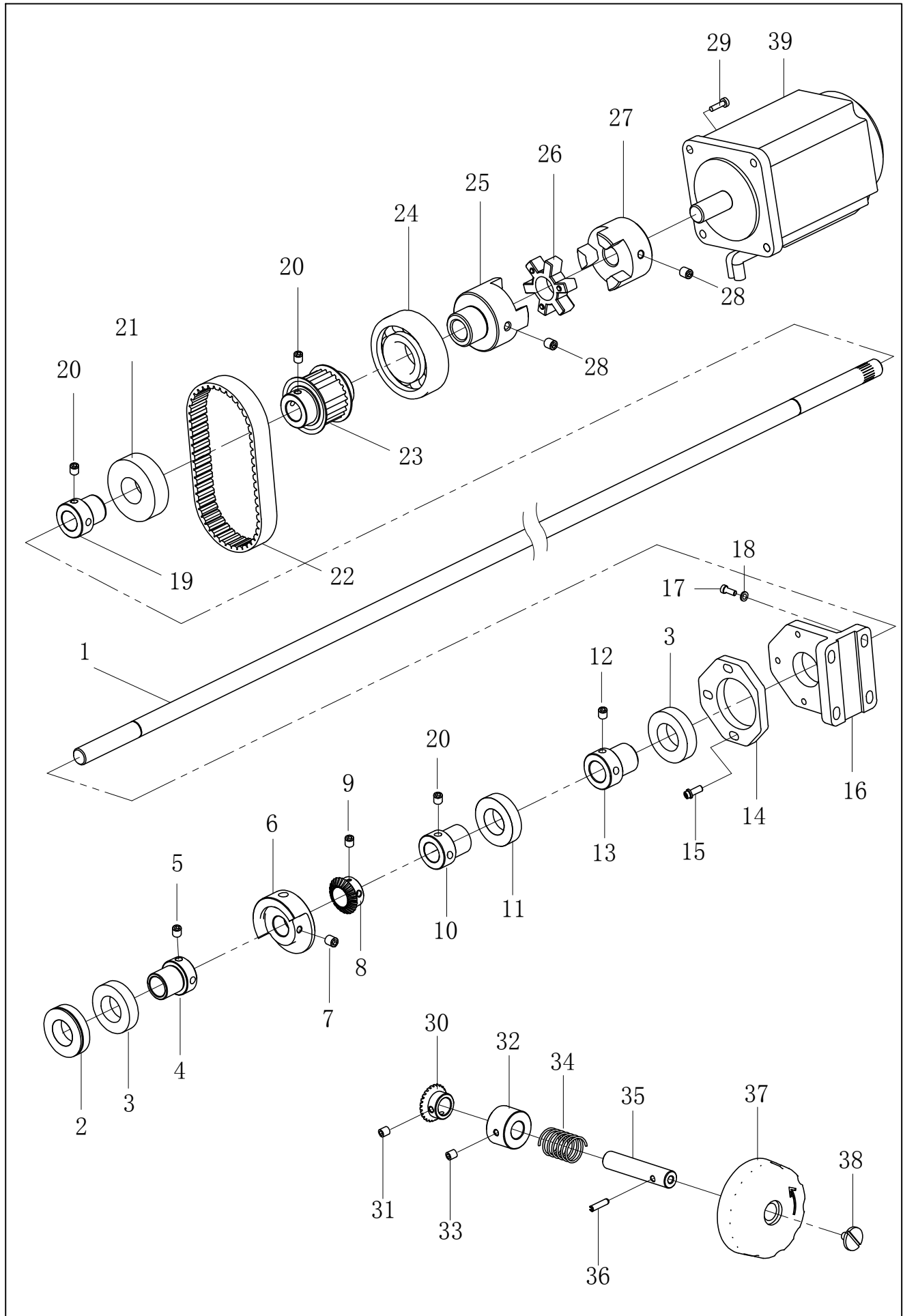
A2、主台面部分 / Table mechanism



A2、主台面部分 / Table mechanism

序号 No.	件号 Part. No.	零部件名称	NAME OF PARTS	数量 Amt.	备注
1	41832601	主台面	Main table	1	
2	S05068	螺钉M5×20	Screw M5×20	4	
3	304573	主台面后支撑板	Main table back support plate	2	41812606
4	41828611	平垫圈M5	Flat washer M5	8	
5	407N01001	自锁螺母M5	Self-locking nut M5	8	
6	417S30304	螺栓(带垫圈)M6×20	Blot (with washer) M6×20	16	
7	41811601	内六角螺栓M5防尘盖	Hexagon socket blot M5 dust cover	23	
8	S05068	螺钉M5×20	Screw M5×20	4	
9	S05124	螺栓M5×16	Blot M5×16	2	
10	41812605	主台面中支撑板	Main table Middle support plate	2	
11	417S30036	螺栓(带垫圈)M5×12	Blot (with washer) M5×12	4	
12	41832603	切线盖板	Tangential cover	1	
13	S02039	螺钉M4×9	Screw M4×9	6	
14	41727013	弹簧	Spring	1	
15	S05068	螺钉M5×20	Screw M5×20	4	
16	304173	前窗板	Front window plate	1	41812509
17	41828611	平垫圈M5	Flat washer M5	4	
18	407N01001	自锁螺母M5	Self-locked nut M5	4	
19	304886	主台面前支撑板	Main table front support plate	1	41812658
20	418S16015	滚花螺纹套M4	Knurled threaded sleeve M4	14	
21	418S16014	滚花螺纹套M6	Knurled threaded sleeve M6	8	
22	S02039	螺钉M4×9	Screw M4×9	2	
23	41832604	圆形盖板	Circle cover plate	1	
24	41832602	旋梭盖板	Hook cover plate	1	
25	915624	磁铁15×1	Magnet 15×1	4	
26	915624	磁铁15×1	Magnet 15×1	4	
27	S05068	螺钉M5×20	Screw M5×20	3	
28	S05010	螺钉M4×12	Screw M4×12	2	
29	42230822	气缸CQ2A12-15D	Cylinder CQ2A12-15D	1	
30	41845231	接头ASL4-M5	Connestor ASL4-M5	2	
31	304571	主台面左支撑板	Main table left support plate	1	41812603
32	304572	主台面右支撑板	Main table right support plate	1	41812604
33	417S30037	螺栓M6×14	Blot M6×14	8	
34	S05123	螺栓M5×12	Blot M5×12	12	
35	41828611	平垫圈M5	Flat washer M5	12	
36	W01009	垫圈5	Washer 5	4	
37	S05120	螺栓M5×8	Blot M5×8	4	
38	304586	支撑板联接板	Support plate connecting plate	1	41812622
39	407N01001	自锁螺母M5	Self-locking nut	3	
40	304719	右加固支撑	Right side reinforcement support	1	41812642
41	41828611	平垫圈M5	Flat washer M5	6	
42	S05123	螺栓M5×12	Blot M5×12	6	
43	304718	左加固支撑	Left side reinforcement support	1	41812641
44	S05123	螺栓M5×12	Blot M5×12	8	
45	41828611	平垫圈M5	Flat washer M5	8	
46	41812643	L形连接板	L shape connection plate	2	
47	S05136	螺钉M6×8	Screw M6×8	4	
48	S05124	螺栓M5×16	Blot M5×16	1	

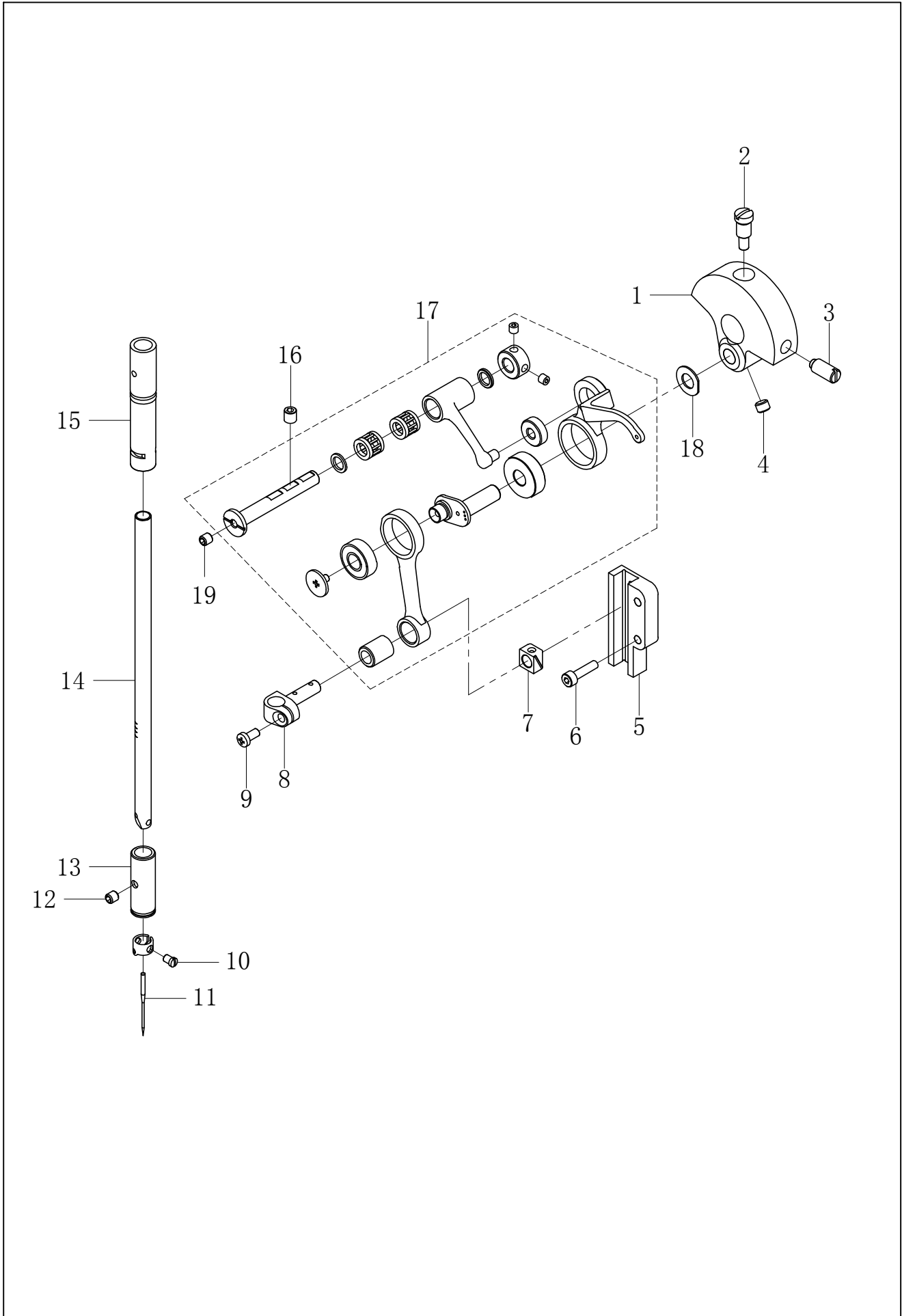
B1、上轴装置 / Upper shaft mechanism



B1、上轴装置 / Upper shaft mechanism

序号 No.	件号 Part. No.	零部件名称	NAME OF PARTS	数量 Amt.	备注
1	41802601	上轴	Main shaft	1	
2	B10014	轴承6904DDUNR	Bearing 6904DDUNR	1	
3	B06005	轴承R-6904DDU	Bearing R-6904DDU	1	
4	41803211	轴承套	Bearingbush-A	1	
5	S10019	螺钉M6×6	Screw M6×6	2	
6	41803219	卷线驱动轮	Bobbin winder driving wheel	1	
7	S09019	螺钉M5×5	Screw M5×5	2	
8	40325010	上轴转动齿轮	Geara	1	
9	S09019	螺钉M5×5	Screw M5×5	2	
10	41803212	轴承套	Bearingbush-A	1	
11	B01024	轴承6804Z	Bearing 6804Z	1	
12	S10019	螺钉M6×6	Screw M6×6	2	
13	41803212	轴承套	Bearingbush-A	1	
14	41801049	上轴轴承支撑架	Upper shaft bearing support frame	1	
15	417S30306	螺栓(带垫圈)M5×15	Bolt socket (s/p washer) M5×15	3	
16	41801048	上轴轴承支撑座	Upper shaft bearing support	1	
17	S05124	螺栓M5×16	Bolt M5×16	4	
18	W01009	垫圈5	Washer 5	4	
19	41803212	轴承套	Bearingbush-A	1	
20	S10019	螺钉M6×6	Screw M6×6	6	
21	B01029	轴承6204	Bearing 6204	1	
22	41835501	同步带20-575-S5M	Timing belt	1	
23	4183502000	上轴同步轮组件	Upper shaft synchronous gear assembly	1	
24	B02007	轴承6305NR	Bearing 6305NR	1	
25	41803214	联轴器抱箍A	Coupling hoop A	1	
26	40322028	减震橡胶	Damping rubber	1	
27	41803215	联轴器抱箍B	Coupling hoop B	1	
28	S10024	螺钉M6×10	Screw M6×6	4	
29	S05124	螺栓M5×16	Bolt M5×16	4	
30	40325011	手轮轴齿轮	Gearb	1	
31	S09019	螺钉M5×5	Screw M5×5	2	
32	41803020	手轮轴套B	Handwheel sleeve B	1	
33	S10019	螺钉M6×6	Screw M6×6	1	
34	41827214	手轮弹簧	Handwheel spring	1	
35	41802212	手轮轴	Handwheel shaft	1	
36	P03002	销4×16	Pin 4×16	1	
37	40311003	手轮	Handwheel	1	
38	403S11003	手轮固定螺钉	Set-screw	1	
39	41833212	主轴电机	Main shaft motor	1	

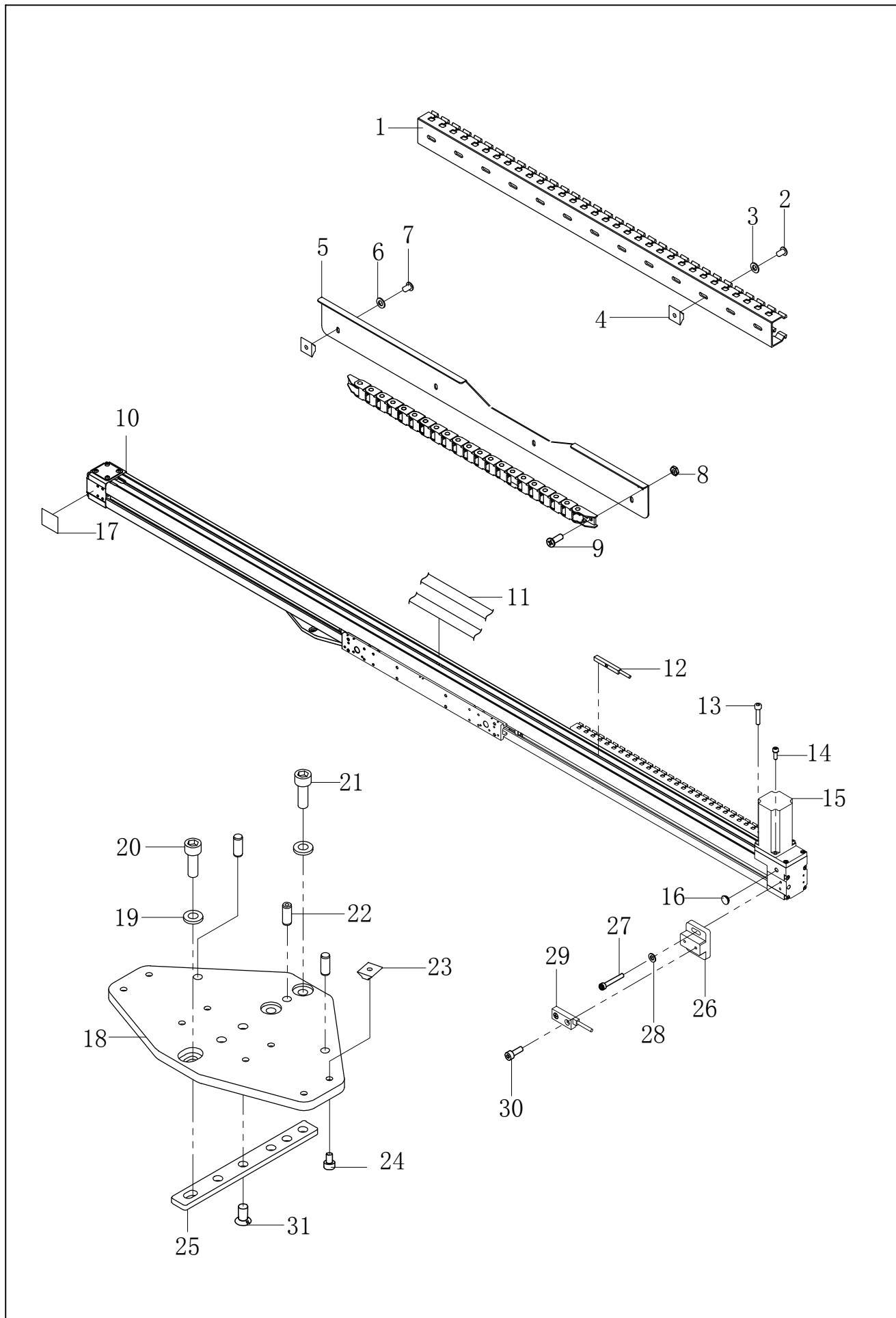
B2、针杆装置 / Needle bar mechanism



B2、针杆装置 / Needle bar mechanism

序号 No.	件号 Part. No.	零部件名称	NAME OF PARTS	数量 Amt.	备注
1	41804011	针杆曲柄	Needle bar crank	1	
2	135S11002	针杆曲柄定位螺钉	Needle bar crank set screw	1	
3	101S15004	针杆曲柄紧固螺钉	Needle bar crank fastens screw	1	
4	116S14003	针杆曲柄销定位螺钉	Needle bar crank pin set screw	2	
5	41709002	滑块导向B	Slide block guide	1	
6	S05118	螺栓M4×16	Bolt M4×16	2	
7	41709001	滑块	Slide block	1	
8	41704100	针杆接头	Needle bar guide	1	
9	S04078	螺钉M4×8	Screw M4×8	1	
10	417S15002	螺钉SM3. 57-40×4.5	Screw SM3. 57-40×4.5	1	
11	42217503	机针DP×5 9#	Needle DP×5 9#	1	
12	S09019	螺钉M5×5	Screw M5×5	1	
13	42203508	针棒轴套D	Needle bar bush D	1	
14	41702061	针杆	Needle bar	1	
15	41703005	针杆轴套UK	Needle bar bush UK	1	
16	S10019	螺钉M6×6	Screw M6×6	2	
17	4183801100	挑线连杆组件A	Threadtakeupcompl A	1	
17	14183800100	挑线连杆组件C	Threadtakeupcompl C	1	(L)
18	141828001	针杆曲柄垫圈	Washer	1	(L)
19	S09006	螺钉M4×4	Screw M4×4	1	(L)

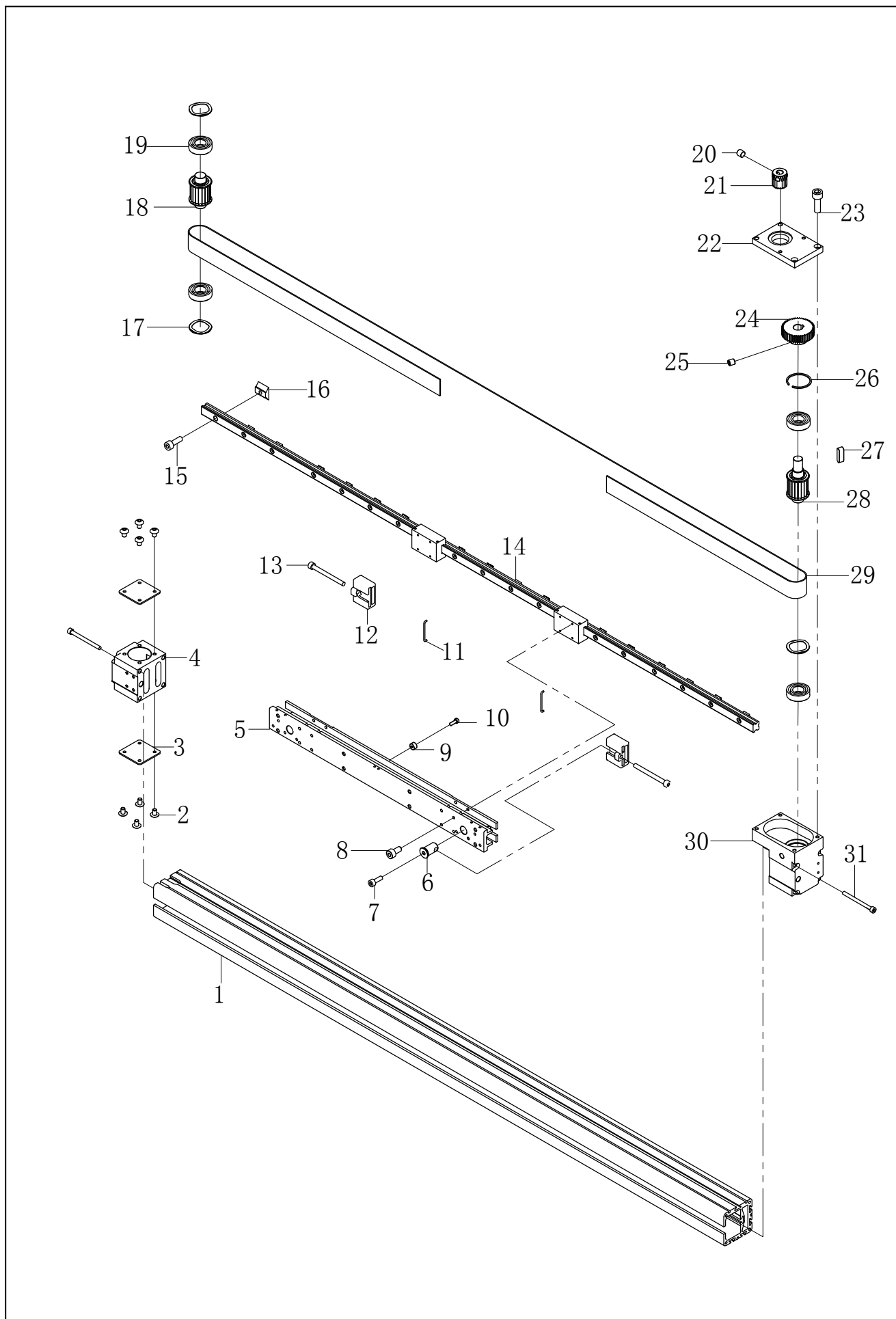
C1、X送料装置(T) / X Feed mechanism (T)



C1、X送料装置(T) / X Feed mechanism (T)

序号 No.	件号 Part. No.	零部件名称	NAME OF PARTS	数量 Amt.	备注
1	41811022	线槽4030	Trunking 4030	1	
2	S05057	螺钉M4×6	Screw M4×6	3	
3	W01001	平垫圈4	Plain washer4	3	
4	425S10001	方形螺母块	Square nut block	7	
5	41842509	小坦克链挡板	Panzer chain Baffle	1	
6	41728024	垫圈4	Plain washer4	4	
7	417S15008	螺钉M4×8	Screw M4×8	4	
8	N08008	自锁螺母M3	Nut M3	2	
9	S02127	沉头螺钉M3×10	Screw M3×10	2	
10	4184205000	同步带送料模组	Synchronous belt feed mechanism	1	
11	141831028	3M200系列防滑胶带50	3M200 series Anti-skid Tape 50	1	
12	4253000400	长条形限位传感器	Magnetic inductor	1	
13	S05035	螺钉M5×25	Screw M5×25	2	
14	S05124	螺栓M5×16	Screw M5×16	2	
15	41833500	模组电机	X stepper motor	1	
16	10122005	孔塞	Dust plug	1	
17	41837614	机械防撞标贴	Mechanical anti-collision labeling	2	
18	41842505	导轨模组连接座	Connecting block of guide and module	2	
19	41728033	垫圈	Washer	6	
20	S05111	螺栓M6×20	Bolt M6×20	2	
21	S05111	螺栓M6×20	Bolt M6×20	4	
22	41826011	圆柱销M6×15	Pin 6×15	6	
23	425S10001	方形螺母块	Square nut block	16	
24	S05057	螺钉M4×6	Bolt M4×6	16	
25	41842506	导轨模组连接块垫块	Shim	2	
26	141842001	X传感器安装板	X Sensor mounting plate	1	
27	S05128	螺钉M4×16	Screw M4×16	2	
28	W01001	平垫圈4	Plain washer4	2	
29	41730851	传感器	Sensor	1	
30	S04076	螺钉M3×8	Screw M3×8	1	
31	S02039	螺钉M4×9	Screw M4×9	4	

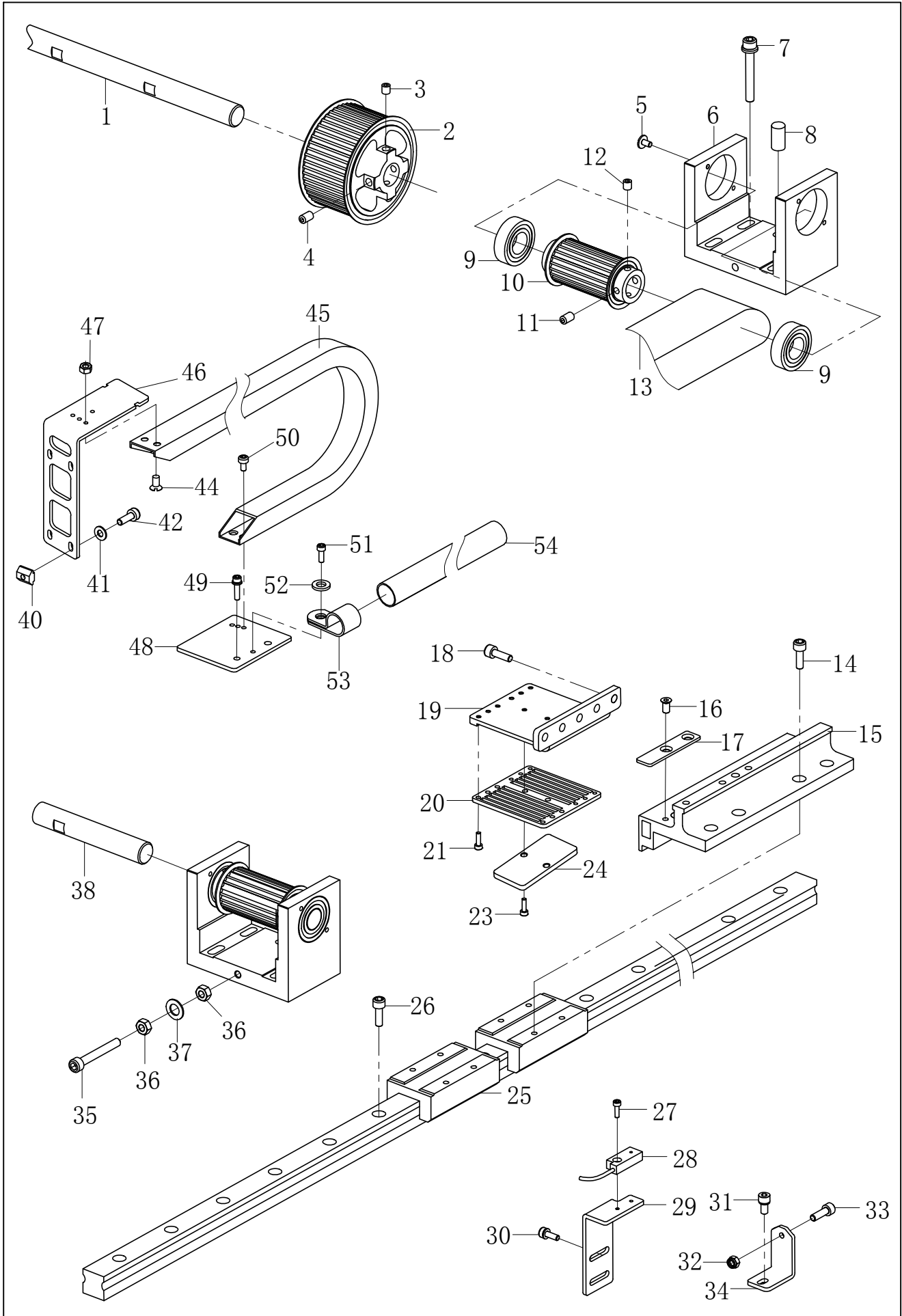
C2、X送料装置(T) / X Feed mechanism (T)



C2、X送料装置(T) / X Feed mechanism (T)

序号 No.	件号 Part. No.	零部件名称	NAME OF PARTS	数量 Amt.	备注
1	41842500	横梁	Beam	1	
2	S17013	螺钉M4×6	Screw M4×6	12	
3	42512019	齿轮箱盖板	Gear box cover plate	3	
4	42501008	X同步带被动轮箱	X Synchronizing wheel box	1	
5	41842501	压框连接板	Press frame Connecting	1	
6	42526010	同步带拉紧销	Synchronous belt pin	2	
7	S05010	螺钉M4×12	Screw M4×12	2	
8	S05116	螺钉M4×8	Screw M4×8	8	
9	42547003	X感应磁铁	Magnet	1	
10	S05059	螺钉M4×12	Screw M4×12	1	
11	42526011	同步带销	Synchronous belt pin	2	
12	42512020	同步带扣	Synchronous belt clasp	2	
13	S05152	螺钉M6×65	Screw M6×65	2	
14	41824500	X导轨	X Guide	1	
15	S05058	螺钉M4×10	Screw M4×10	31	
16	425S10001	方形螺母块	Square nut block	31	
17	W03008	波形垫圈	Wave washer	3	
18	4253500700	主动带轮组件	Driving Synchronizing wheel	1	
19	B01010	轴承6003	Bearing 6003	4	
20	409S14001	紧定螺钉SM1/4×40×6	Screw SM1/4×40×6	3	
21	42525004	驱动齿轮	Driving gear	1	
22	42512023	轴承端盖	Bearing cover plate	1	
23	S05034	螺钉M5×15	Screw M5×15	2	
24	42525005	被动齿轮	Passive gear	1	
25	409S14001	紧定螺钉SM1/4×40×6	Screw SM1/4×40×6	2	
26	42529001	齿轮箱孔用挡圈	Washer	1	
27	K01006	键5×5×16	Key 5×5×16	1	
28	4253500900	X同步带被动组件	X Synchronizing wheel box	1	
29	41835500	X轴同步带	X Synchronizing	1	
30	42501007	齿轮箱	Gear box	1	
31	701S13045	螺钉M5×60	Screw M5×60	8	

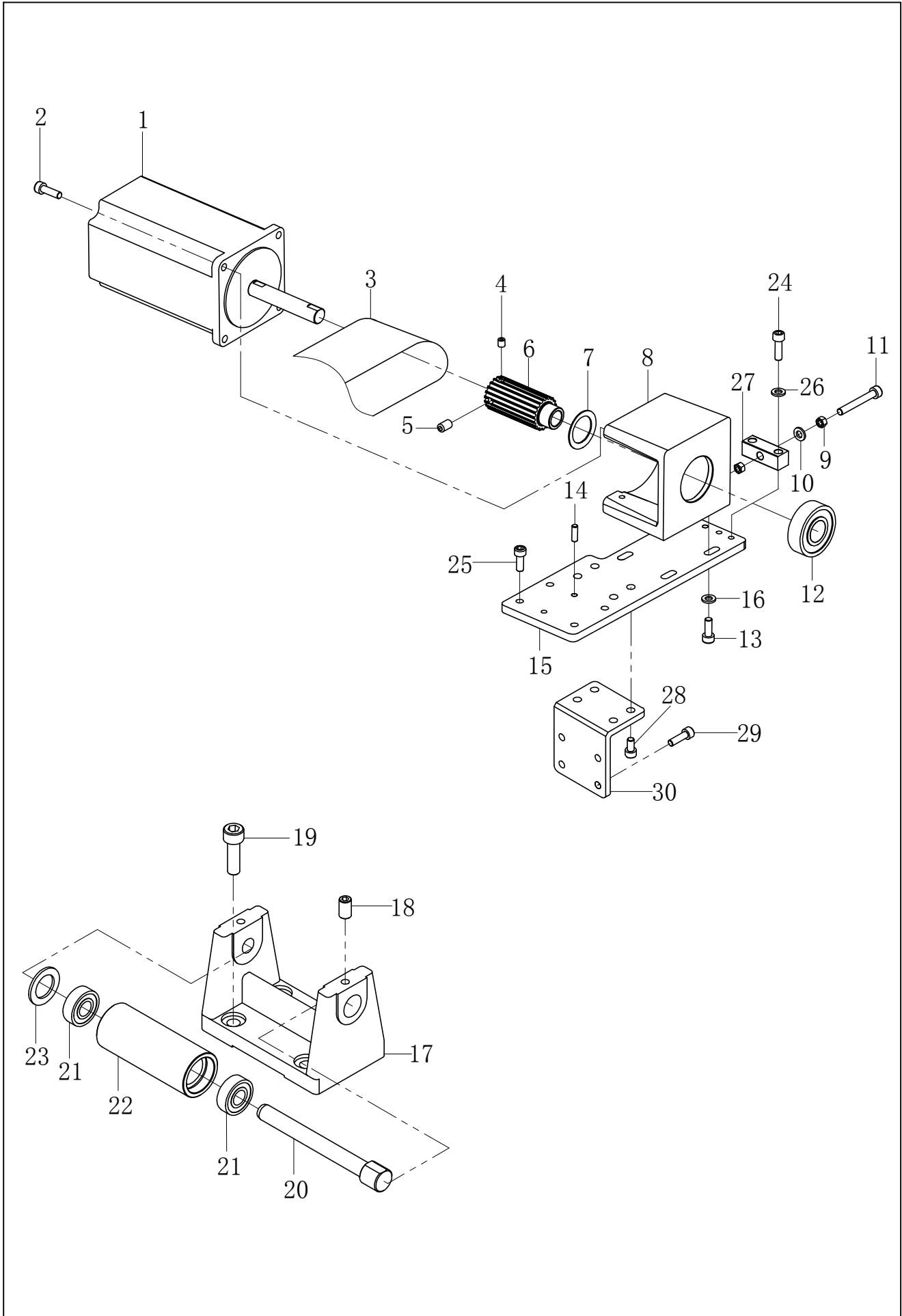
C3、Y送料装置(T) / Y Feed mechanism (T)



C3、Y送料装置(T) / Y Feed mechanism (T)

序号 No.	件号 Part. No.	零部件名称	NAME OF PARTS	数量 Amt.	备注
1	41802222	Y驱动轴	Y driving shaft	1	
2	4183521100	Y从动同步轮组件	Y Slave synchronous gear assembly	1	
3	S10024	螺钉M6×10	Screw M6×10	2	
4	S10009	凹端紧定螺钉M6×8	Concave end set screw M6×8	2	
5	418S30218	螺钉M4×7	Screw M4×7	8	
6	41801212	Y同步轮座	Y Synchronous wheel seat	4	
7	421S13036	螺钉带垫M6×25	Screw with mat M6×25	16	
8	41826213	圆柱销8×20	Round pin 8×20	2	
9	B01030	轴承6003ZZ	Bearing6003ZZ	8	
10	4183521300	Y送料同步轮组件	Y Feed synchronous wheel assembly	4	
11	S10019	螺钉M6×6	Screw M6×6	8	
12	403S14018	螺钉	Screw	8	
13	41835015	Y送料同步带	Y Feed synchronous belt	2	
14	S05121	螺钉M5×10	Screw M5×10	16	
15	41842507	Y左滑块联接座	Y Left slider coupling seat	1	
15	41842508	Y右滑块联接座	Y Right slider coupling seat	1	
16	421S17009	螺钉M5×10	Screw M5×10	2	
17	41812159	Y送料感应板	Y Feed induction plate	1	
18	S05124	螺栓M5×16	Bolt M5×16	10	
19	41812226	架板	Stage plank	2	
20	41812227	Y同步带齿形夹板	Y Synchronous toothed splint	2	
21	S05094	螺钉M3×8	Screw M3×8	24	
23	S05094	螺钉M3×8	Screw M3×8	4	
24	41812228	Y同步带夹板	Y Synchronous clamp	2	
25	42224513	Y导向	Y direction	2	
26	S05124	螺栓M5×16	Bolt M5×16	22	
27	S04076	螺钉M3×8	Screw M3×8	1	
28	41730851	传感器	Sensor	1	
29	141812020	Y传感器安装板B	Y Sensor mounting plate B	1	
30	417S30302	螺栓(带垫圈)M4×12	Bolt (with Washer) M4×12	2	
31	417S30036	螺钉M5×16	Screw M5×16	2	
32	407N01001	自锁螺母M5	Self-locking nut M5	2	
33	S05218	螺钉M5×22	Screw M5×22	2	
34	41812158	Y导轨限位板	Y Guide limit plate	2	
35	S05088	螺钉M6×45	Screw M6×45	2	
36	N01021	螺母M6	Nut M6	4	
37	41728004	垫圈	Gasket	2	
38	41802214	Y同步轮支点轴	Y Synchronous wheel fulcrum shaft	2	
40	425S10001	方形螺母块	Square nut block	2	
41	41728024	垫圈L4	Gasket L4	2	
42	S05116	螺栓M4×8	Bolt M4×8	2	
44	S05010	螺钉M4×12	Screw M4×12	2	
45	41811027	塑料拖链1825	Plastic drag chain 1825	1	
46	41812141	Y拖链前支架	Y Chain bracket	1	
47	407N01002	自锁螺母M4	Self-locking nut M4	2	
48	41812134	Y拖链后支架	Y Chain back bracket	1	
49	417S30302	螺钉(带垫圈)M4×12	Screw (with Washer) M4×12	2	
50	S05115	螺钉M4×6	Screw M4×6	2	
51	S05115	螺栓M4×6	Screw M4×6	1	
52	W01001	M4垫片	M4 gasket	1	
53	41312089	线夹	Cord grip	1	
54	908472	网管φ16	Reticulation	1	

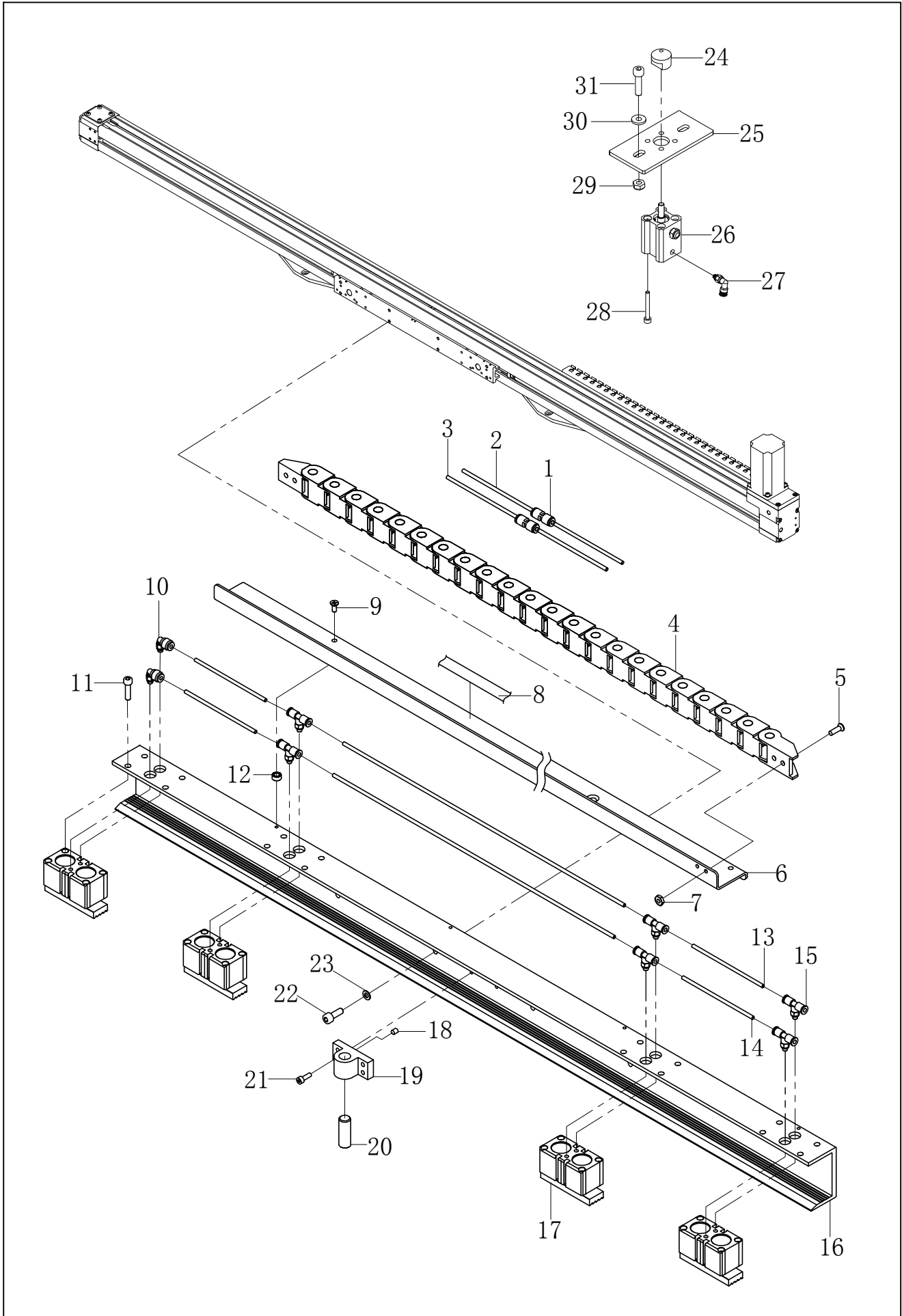
C4、Y送料装置(T) / Y prime mover mechanism (T)



C4、Y送料装置(T) / Y prime mover mechanism (T)

序号 No.	件号 Part. No.	零部件名称	NAME OF PARTS	数量 Amt.	备注
1	41830015	Y步进电机B	Y scale step motor	1	
2	S05111	螺栓M6×20	Bolt M6×20	4	
3	41835216	Y同步带5M	Y scale Belt	1	
4	S10019	螺钉M6×6	Screw M6×6	2	
5	403S14018	螺钉	Screw	2	
6	41835217	Y驱动同步轮20	Y wheel	1	
7	41828211	同步轮挡边	Wheel	1	
8	41801215	Y电机支撑座	Y Motor Stand Base	1	
9	N01021	螺母M6	Nut M6	2	
10	W01003	M6垫片	Washer	1	
11	S05088	螺钉M6×45	Screw M6×45	1	
12	B10012	轴承6004ZZN	Bearing	1	
13	S05111	螺栓M6×20	Bolt M6×20	4	
14	41826221	定位销5	Position Pin	2	
15	41812230	Y电机支撑座安装板	Y motor Install plate	1	
16	41728032	垫圈	Washer	4	
17	41801601	Y张紧轮支座	Y Base	2	
18	S09019	螺钉M5×5	Screw M5×5	4	
19	S05110	螺钉M6×12	Screw M6×12	8	
20	41802012	Y张紧轮轴	Y Shaft	2	
21	B04038	球轴承619/8	Bearing	4	
22	41803011	Y张紧轮	Y Wheel	2	
23	41728031	垫圈	Washer	2	
24	S05111	螺栓M6×20	Bolt M6×20	2	
25	S05040	螺栓M6×16	Bolt M6×16	4	
26	W01003	M6垫片	Washer	2	
27	41801213	Y皮带调节架	Belt adjuster	1	
28	S05110	螺钉M6×12	Screw M6×12	4	
29	S05111	螺栓M6×20	Bolt M6×20	4	
30	41801607	安装板加固支架	Installation plate reinforce shaft	1	

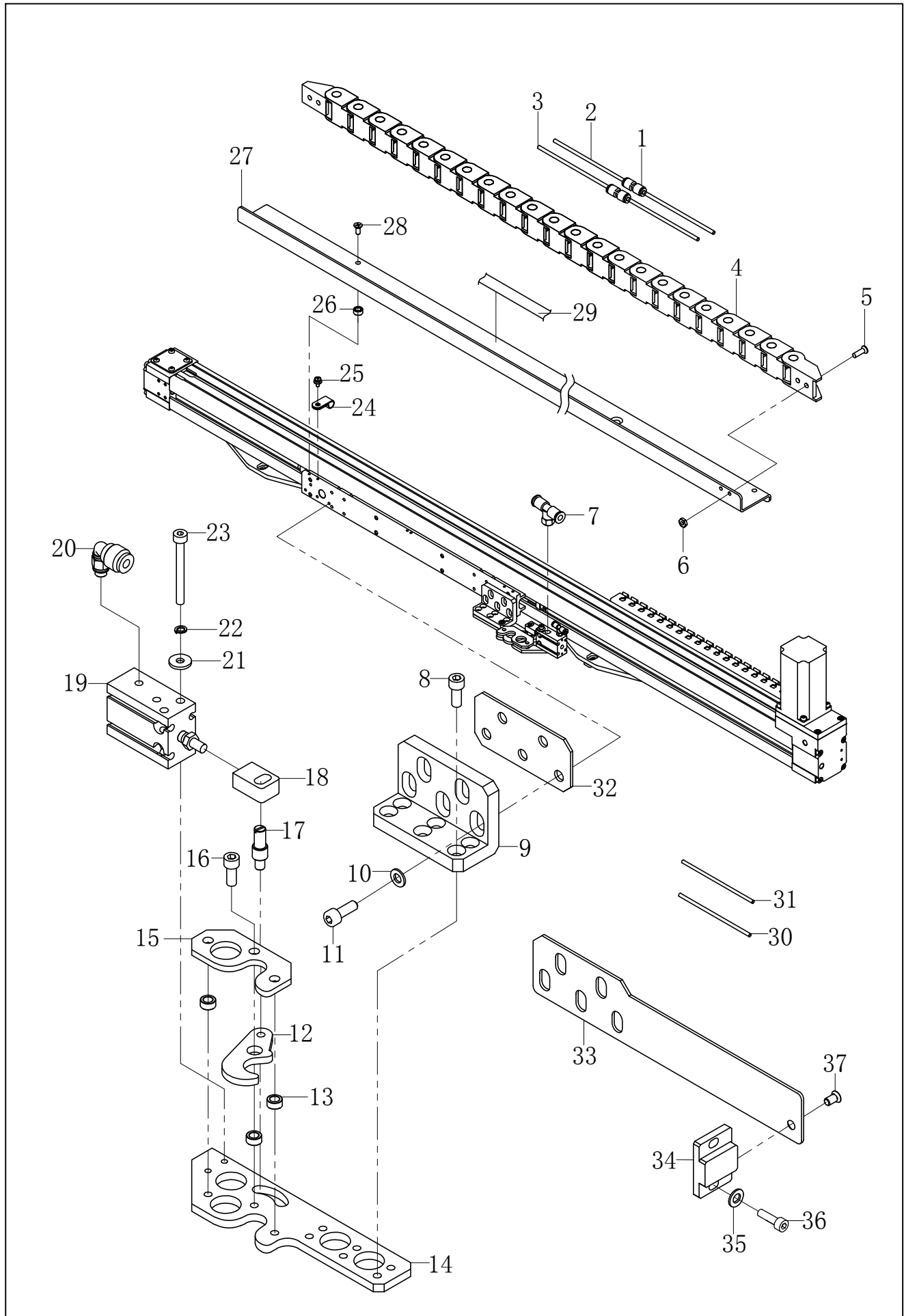
C5、压紧夹具装置(T) / Clamping fixture mechanism (T)



C5、压紧夹具装置(T) / Clamping fixture mechanism (T)

序号 No.	件号 Part. No.	零部件名称	NAME OF PARTS	数量 Amt.	备注
1	41836501	管接头PU4	Weasand connector PU4	2	
2	41845223	气管φ4×2.5透明蓝	Blue weasand φ4×2.5	1.2	
3	41845224	气管φ4×2.5黑色	Black weasand φ4×2.5	1.2	
4	41811500	小坦克链	Panzer chain	1	
5	S02127	沉头螺钉M3×10	Screw M3×10	2	
6	41842504	拖链导板	Panzer chain plate	1	
7	N08008	自锁螺母M3	Nut M3	2	
8	141831029	3M200系列防滑胶带25	3M200 series Anti-skid Tape 25	1	
9	407S17001	沉头螺钉M4×10	Screw M4×10	4	
10	42536004	气管接头	Weasand connector	2	
11	S05124	螺钉M5×16	Screw M5×16	16	
12	41842503	拖链导板垫块	Panzer chain Shim	4	
13	41845223	气管φ4×2.5透明蓝	Blue weasand φ4×2.5	1	
14	41845224	气管φ4×2.5黑色	Black weasand φ4×2.5	1	
15	42536003	气管接头	Weasand connector	6	
16	41842502	压框架	Press frame	1	
17	4254500400	气缸	Cylinder	4	
18	S09019	螺钉M5×5	Screw M5×5	1	
19	42512028	限位支座	Limit bearing	1	
20	42526008	限位销	Limit pin	1	
21	S05059	螺钉M4×12	Screw M4×12	4	
22	S05124	螺钉M5×16	Screw M5×16	8	
23	41728028	垫圈5	Washer 5	8	
24	41826211	顶柱	Column	2	
25	41812258	顶柱气缸安装板	Column Cylinder plate	2	
26	41830211	气缸	Cylinder	2	
27	42230519	微型接头M-5HLH-4	Weasand connector M-5HLH-4	2	
28	S05215	螺栓M3×26	Bolt M3×26	8	
29	407N01001	自锁螺母M5	Self locking nut M5	4	
30	41828612	平垫圈	Washer	4	
31	S05218	螺钉M5×22	Screw M5×22	4	

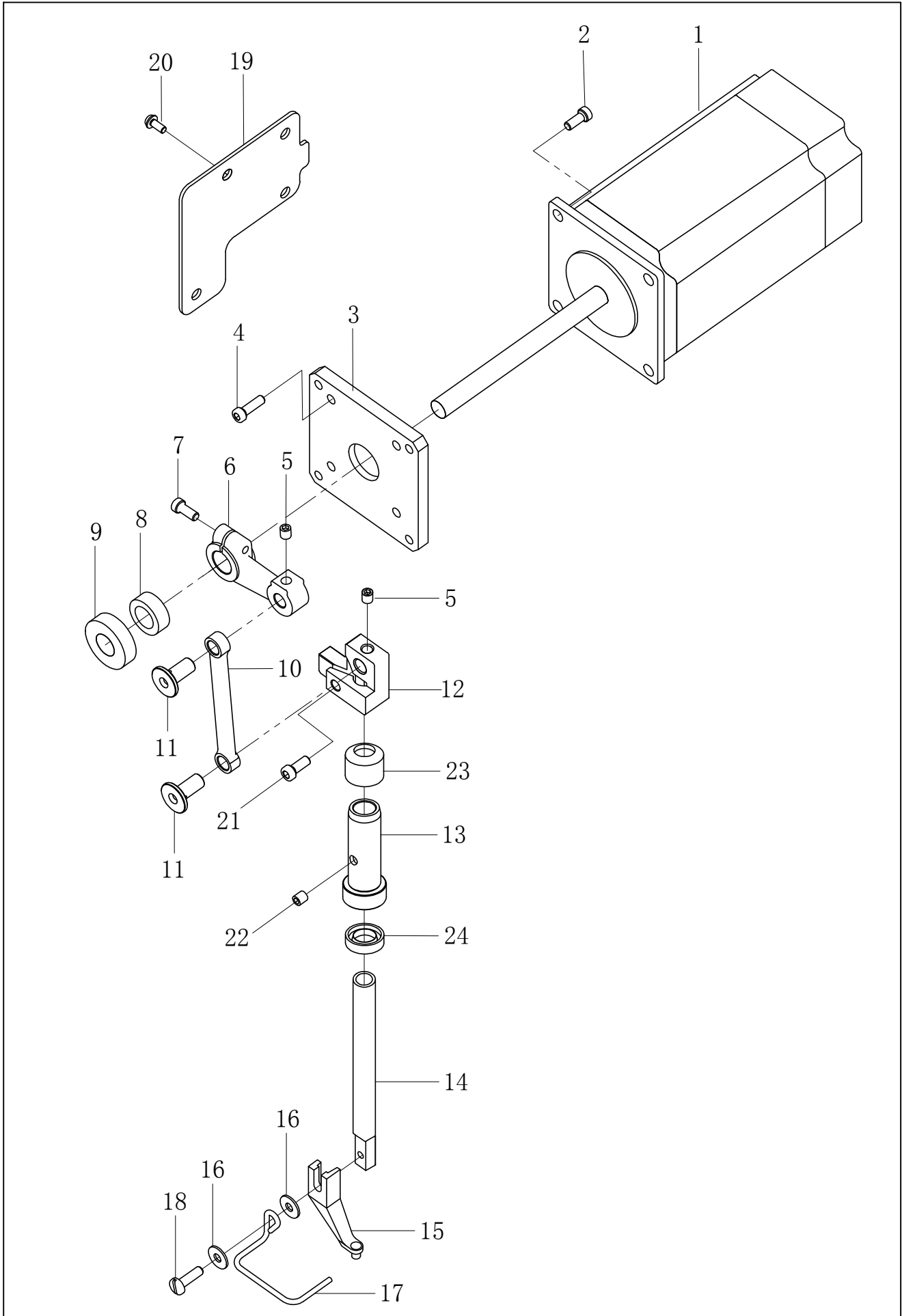
C6、夹扣夹具装置(T) / Clamping fixture mechanism (T)



C6、夹扣夹具装置(T) / Clamping fixture mechanism (T)

序号 No.	件号 Part. No.	零部件名称	NAME OF PARTS	数量 Amt.	备注
1	41836501	管接头PU4	Weasand connector PU4	2	
2	41845223	气管φ4×2.5透明蓝	Blue weasand φ4×2.5	1.2	
3	41845224	气管φ4×2.5黑色	Black weasand φ4×2.5	1.2	
4	41811500	小坦克链	Panzer chain	1	
5	S02127	沉头螺钉M3×10	Screw M3×10	2	
6	N08008	螺母M3	Nut M3	2	
7	42536003	气管接头	Weasand connector	2	
8	S05121	螺栓M5×10	Bolt M5×10	12	
9	41842218	夹具连接板B	Clamp Connection plate B	2	
10	W01009	垫圈5	Washer	8	
11	S05124	螺栓M5×16	Bolt M5×16	8	
12	42212813	夹紧杆	Press bar	2	
13	42228811	转动垫圈	Moving washer	6	
14	42212538	夹具安装板L	Clamp Installation board L	2	
15	42212607	夹紧杆挡板	Press bar Baffle	2	
16	S05123	螺栓M5×12	Bolt M5×12	6	
17	42226811	接头销	Pin	2	
18	401727	接头	Connecter	2	
19	41730441	气缸CU16-15D	Cylinder CU16-15D	2	
20	42536004	气管接头	Weasand connector	2	
21	42128003	垫圈	Washer	4	
22	W02008	弹簧垫圈2-4	Spring Washer	4	
23	S05065	螺钉M4×40	Screw M4×40	4	
24	41711014	电线夹6.4	Cord grip 6.4	3	
25	417S30025	螺栓(带垫圈)M4×10	Bolt M4×10	3	
26	41842510	夹扣专用垫块	Panzer chain Shim	3	
27	41842504	拖链导板	Panzer chain plate	1	
28	407S04001	沉头螺钉M4×16	Screw M4×16	3	
29	141831029	3M200系列防滑胶带25	3M200 series Anti-skid Tape 25	1	
30	41845224	气管φ4×2.5黑色	Black weasand φ4×2.5	1	
31	41845223	气管φ4×2.5透明蓝	Blue weasand φ4×2.5	1	
32	141812049	垫板	Filler piece	1	
33	141812048	夹扣感应片	Clamp inductor	1	
34	141842007	支撑座	Support block	1	
35	W01001	平垫圈4	Plain washer 4	2	
36	S05116	螺钉M4×8	Screw M4×8	2	
37	S02039	螺钉M4×9	Screw M4×9	1	

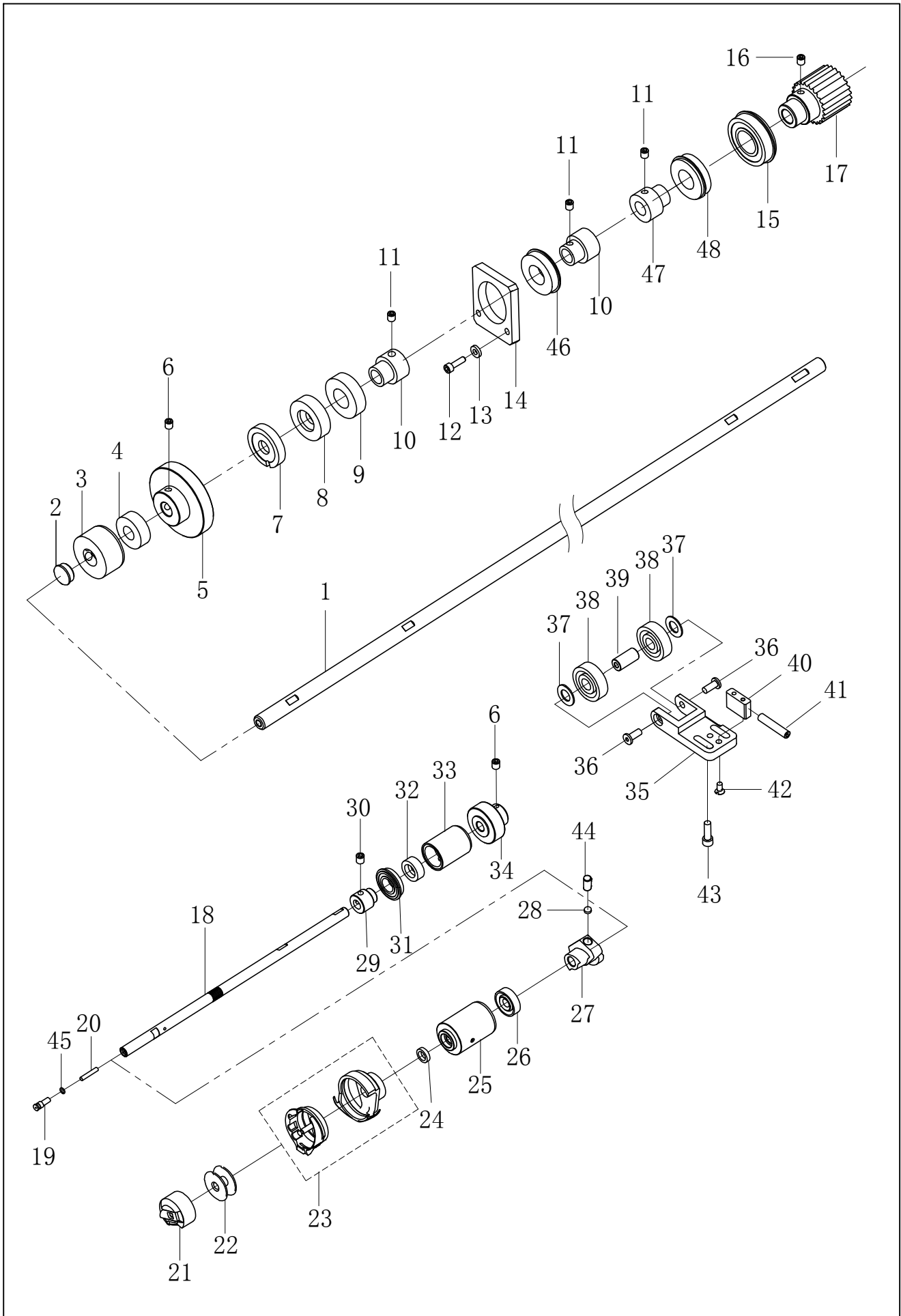
D、抬压脚装置 / Work clamp lifter mechanism



D、抬压脚装置 / Work clamp lifter mechanism

序号 No.	件号 Part. No.	零部件名称	NAME OF PARTS	数量 Amt.	备注
1	41833611	中压脚电机	Motor for Mid-Presser foot	1	
2	S05123	螺栓M5×12	Blot M5×12	4	
3	41812645	中压脚电机安装座	Motor installation plate	1	
4	S05124	螺栓M5×16	Blot M5×16	4	
5	S09019	螺钉M5×5	Screw M5×5	2	
6	41804601	中压脚摇杆	Rocker rod	1	
7	S05004	螺钉M5×14	Screw M5×14	1	
8	B04037	球轴承61800	Ball Bearing 61800	1	
9	B04036	球轴承61900	Ball Bearing 61900	1	
10	41805212	中压脚连杆	Connecting rod	1	
11	41826212	连杆销	Pin	2	
12	41809211	中压脚压杆导架	Needle bar guide bracket	1	
13	41803031	中压杆轴套	Presser bar bush	1	41703015
14	41802228	压紧杆D	Press bar D	1	
15	42216505	中压脚	Mid-presser foot	1	
16	41728025	平垫圈L3.5	Washer	1	
17	41712009	护指器	Finger shield	1	
18	417S15011	螺钉SM3.57×12	Screw SM3.57×12	1	
19	303887	中压脚侧盖	Side cover	1	41812259
20	417S30025	螺栓(带垫圈)M4×10DB	Blot	4	
21	S05133	螺栓M4×12	Blot M4×12	1	
22	S09019	螺钉M5×5	Screw M5×5	1	
23	41822101	橡胶套	Rubber pad	1	
24	41822612	油封9-15-4	Oil seal	1	

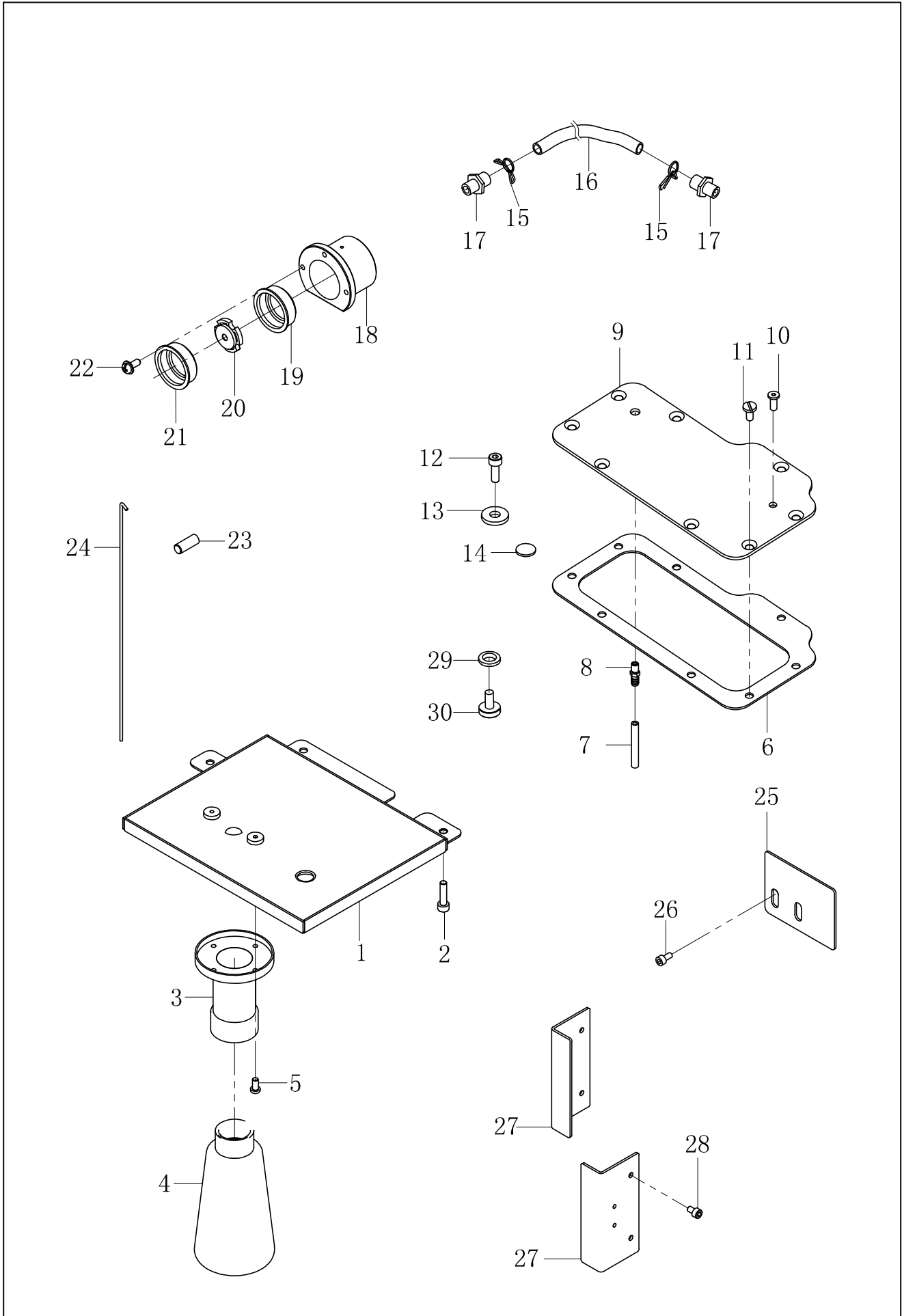
E、下轴装置 / Lower shaft mechanism



E、下轴装置 / Lower shaft mechanism

序号 No.	件号 Part. No.	零部件名称	NAME OF PARTS	数量 Amt.	备注
1	41802602	同步轮下轴	Synchronous lower shaft	1	
2	41722004	橡皮塞	Rubber plug	1	
3	42203516	同步轴轴套	Synchronous shaft sleeve	1	
4	B04017	轴承6001Z	Bearing 6001Z	1	
5	1142500100	大齿轮组件	Large gear assembly	1	
6	101S15002	送料轴挡圈螺钉	Feed shaft baffle screw	4	
7	13703034	下主动轴油封中套	Lower drive shaft oil seal jacket	1	
8	13722022	抬牙轴油封	Lift shaft oil seal	1	
9	B01030	轴承6003ZZ	Bearing 6003ZZ	1	
10	11403013	送料驱动轴轴承套	Feed drive shaft bearing sleeve	3	
11	101S15002	送料轴挡圈螺钉	Feed shaft baffle screw	6	
12	S05084	螺钉M6×25	Screw M6×25	2	
13	41728032	垫圈	Washer	2	
14	41801602	下轴承支架	Lower bearing holder	1	
15	B10012	轴承6004ZZN	Bearing 6004ZZN	1	
16	S10019	螺钉M6×6	Screw M6×6	2	
17	41835018	下同步轮	Lower synchronous wheel	1	
18	41802502	下轴C	Lower shaft C	1	
19	101S30005	下轴限油螺钉	Lower shaft oil limit screw	1	
20	13823001	下轴限油芯	Lower shaft oil limiting core	1	
21	42218002	梭芯套组件	Bobbin cover assembly	1	
22	10818501	梭芯	Bobbin	1	
23	42218003	旋梭组件	Hook component	1	
21	13818003	梭壳(1.3倍)	Bobbin cover (1.3 multiple)	1	(L)
22	13818002	梭芯(1.3倍)	Bobbin (1.3 multiple)	1	(L)
23	13818001	旋梭(1.3倍)	Hook component (1.3 multiple)	1	(L)
24	11522001	油封	Oil seal	1	
25	42203509	下轴前轴套	Lower shaft front sleeve	1	
26	1142201400	下轴前轴套油封	Lower shaft front sleeve oil seal	1	
27	11510001	凸轮	Cam	1	
28	11309030	凸轮顶柱	Cam shore	2	
29	11403016	下轴轴承套	Lower shaft bearing sleeve	1	
30	113S14002	螺钉SM11/64(40)×5.5	Screw SM11/64(40)×5.5	2	
31	11424001	轴承6901	Bearing 6901	1	
32	1142201600	油封组件	Oil seal components	1	
33	11503018	旋梭轴后轴套	Bobbin shaft back shaft sleeve	1	
34	11425002	斜齿轮A	Helical gear A	1	
35	42212542	张紧轮支架	Tensioning wheel holder	1	
36	417S13301	螺栓M5×12	Bolt M5×12	2	
37	41728001	平垫圈10	Flat washer 10	2	
38	B01025	轴承6200	Bearing 6200	2	
39	42226506	张紧轴	Tensioning shaft	1	
40	42209549	调节块	Adjusting block	1	
41	S10033	螺钉M6×30	Screw M6×30	1	
42	407S04001	螺钉M4×16	Screw M4×16	2	
43	S05124	螺栓M5×16	Screw M5×16	2	
44	116S14005	螺钉SM1/4(40)×10	Screw SM1/4(40)×10	2	
45	001142	O形圈	O-ring	1	
46	B01010	轴承6003带止动环	Bearing 6003 with a snap ring	1	
47	41803611	同步轮轴轴承套	Bearing sleeve	1	
48	B10014	轴承6904DDUNR	Bearing 6904DDUNR	1	

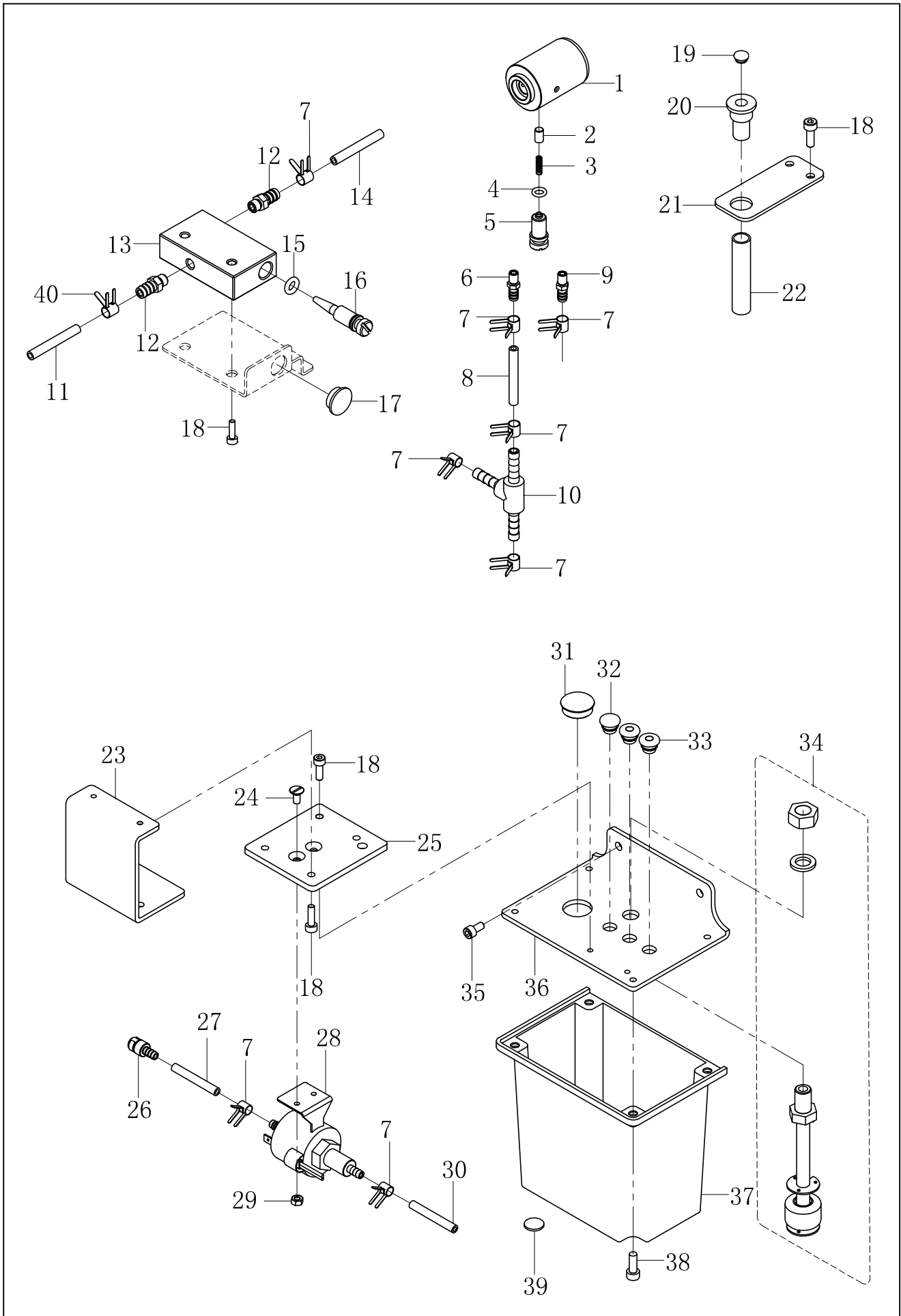
F1、供油润滑装置 / Lubrication mechanism



F1、供油润滑装置 / Lubrication mechanism

序号 No.	件号 Part. No.	零部件名称	NAME OF PARTS	数量 Amt.	备注
1	4181250500	蓄油板组件	Oil storage panel assembly	1	
2	417S30302	螺栓(带垫圈)M4×12	Bolts (with washer) M4×12	3	
3	40311010	油壶接头	Oil can joint	1	
4	40311011	接油壶	Contacting oil can	1	
5	S04082	螺钉M3×6	Screw M3×6	2	
6	41812502	齿轮箱垫片	Gear box gasket	1	
7	12921005	维尼龙油管(φ4×φ6)	Vinyln tubing (φ4×φ6)	0.1	
8	12936003	油嘴管3.8	Nozzle tube 3.8	1	
9	41812501	齿轮箱盖	Gear case cover	1	
10	417S13301	螺钉M5×12	Screw M5×12	1	
11	S02039	螺钉M4×9	Screw M4×9	8	
12	S05116	螺钉M4×8	Screw M4×8	1	
13	41828611	平垫圈M5	Flat washer M5	1	
14	11401020	磁铁	Magnet	1	
15	12912038	油管夹	Tubing clamps	1	
16	12921006	维尼龙油管(φ6×φ8)	Vinyln tubing (φ6×φ8)	0.7	
17	12936004	油嘴管	Nozzle tube	2	
18	42209655	油窗套	Oil window case	1	
19	41722031	橡胶圈	Rubber ring	1	
20	41711022	挡片	Catch	1	
21	41711004	油窗盖	Oil window cover	1	
22	417S30025	螺钉(带垫圈)M4×10DB	Screw (with washer) M4×10DB	3	
23	S10007	凹端紧定螺钉M4×4	Concave end set screw M4×4	1	
24	12923018	油线4×4	Oil thread 4×4	0.1	
25	41812647	底板挡油板	Bottom oil baffle plate	1	
26	S05116	螺栓M4×8	Bolts M4×8	2	
27	41812511	旋梭挡油板	Oil baffle plate	2	
28	S05116	螺栓M4×8	Bolt M4×8	4	
29	10128015	螺纹销橡胶垫圈	Thread pin rubber washer	1	
30	114S11011	齿轮箱盖螺钉	Gear box cover screw	1	

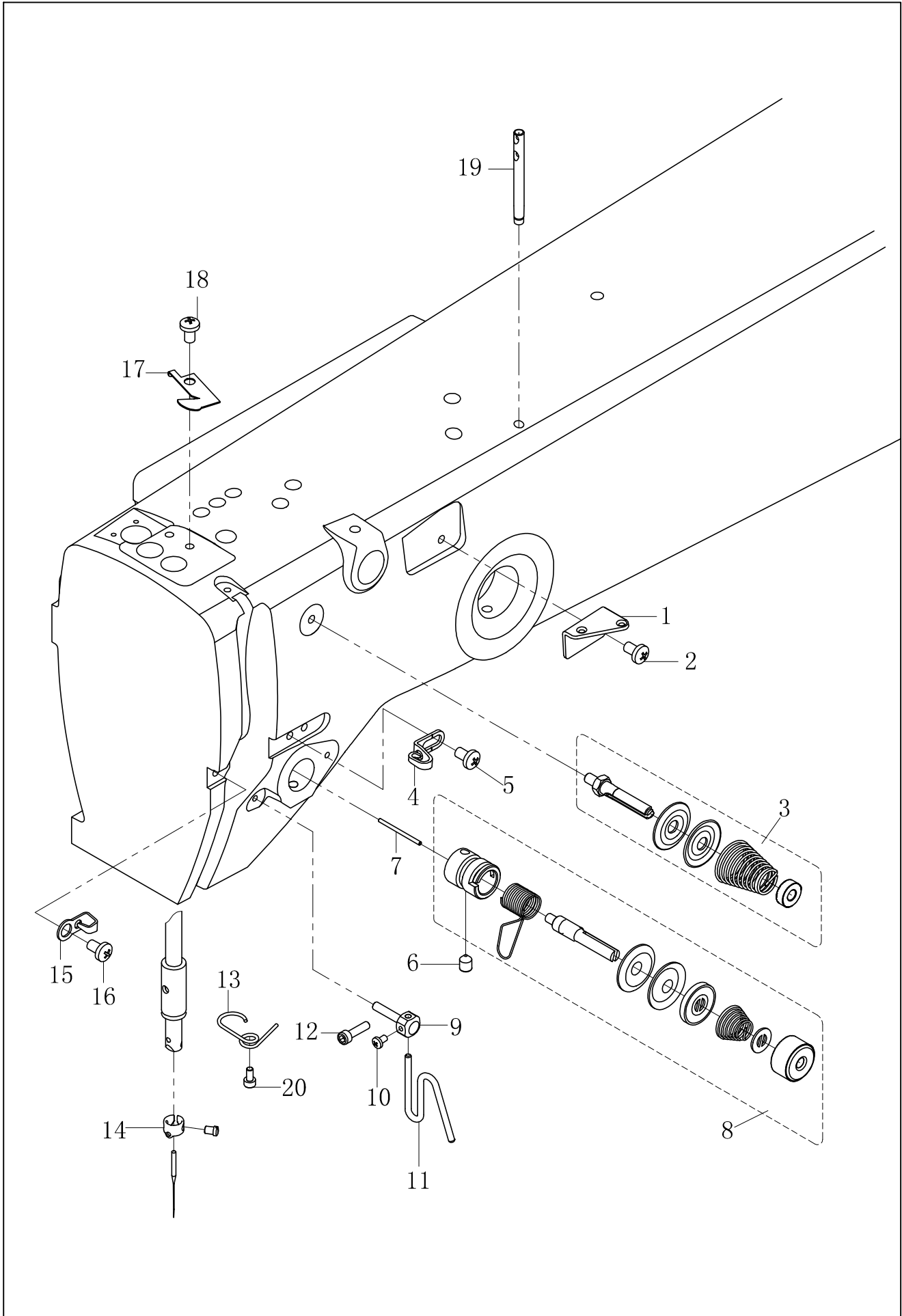
F2、旋梭供油装置(T) / Fusier oil supply mechanism (T)



F2、旋梭供油装置(T) / Fusier oil supply mechanism (T)

序号 No.	件号 Part. No.	零部件名称	NAME OF PARTS	数量 Amt.	备注
1	42203509	下轴前轴套	Lower shaft front sleeve	1	
2	10526003	柱塞	Plunger	1	
3	41827213	柱塞弹簧	Plunger spring	1	
4	10122010	O形圈	O-ring	1	
5	114S30010	插座螺钉	Socket screw	1	
6	114S30009	润滑连接器	Lubrication connector	1	
7	11412055	φ5.7油管卡簧	φ5.7 Oil tube clamp spring	7	
8	12921002	维尼龙油管(φ3×φ5)	Vynylon oil tube (φ3×φ5)	0.2	
9	101S11004	螺钉	Screw	1	
10	41836615	T形三通	T-type three way part	1	
11	12921003	维尼龙油管(φ5×φ8)	Vynylon oil tube (φ5×φ8)	0.2	
12	41836616	油管嘴SM4.76	Oil nozzle SM4.76	2	
13	41809611	调节阀座	Adjusting valve seat	1	
14	12921002	维尼龙油管(φ3×φ5)	Vynylon oil tube (φ3×φ5)	0.2	
15	001004	O形圈	O-ring	1	
16	418S30612	调节螺钉	Adjusting screw	1	
17	41222002	橡皮塞	Rubber stopper	1	
18	S05116	螺栓M4×8	Bolt M4×8	2	
19	10122005	孔塞	Hole plug	1	
20	11436006	加油口	Oiling port	1	
21	41812653	加油口安装板	Oiling port mounting panel	1	
22	11421006	油管φ8×φ10	Oil tube φ8×φ10	1	
23	41812657	电磁泵防护盖	Protective cover	1	
24	S02039	螺钉M4×9	Screw M4×9	2	
25	41811606	电磁泵绝缘隔板	Insulating baffle	1	
26	4183601700	滤网组件	Strainer components	1	
27	12921002	维尼龙油管(φ3×φ5)	Vynylon oil tube (φ3×φ5)	0.3	
28	41820301	电磁泵	Electromagnetic pump	1	
29	407N01002	自锁螺母M4	Self-locking nut M4	2	
30	12921002	维尼龙油管(φ3×φ5)	Vynylon oil tube (φ3×φ5)	0.3	
31	14222007	上盖橡皮塞	Top cover rubber plug	1	
32	10122005	孔塞	Hole plug	1	
33	40322027	橡皮塞	Rubber plug	1	
34	41830656	油量报警器	Oil alarm	1	
35	417S30036	螺栓(带垫圈)M5×12	Bolt (with washer) M5×12	2	
36	41812514	油壶安装板	Oil pan mounting plate	1	
37	41811228	油杯	Oil cup	1	
38	S05120	螺栓M5×8	Bolt M5×8	4	
39	11401020	磁铁	Magnet	1	
40	41812650	油管卡簧φ7	Oil tube clamp spring φ7	1	

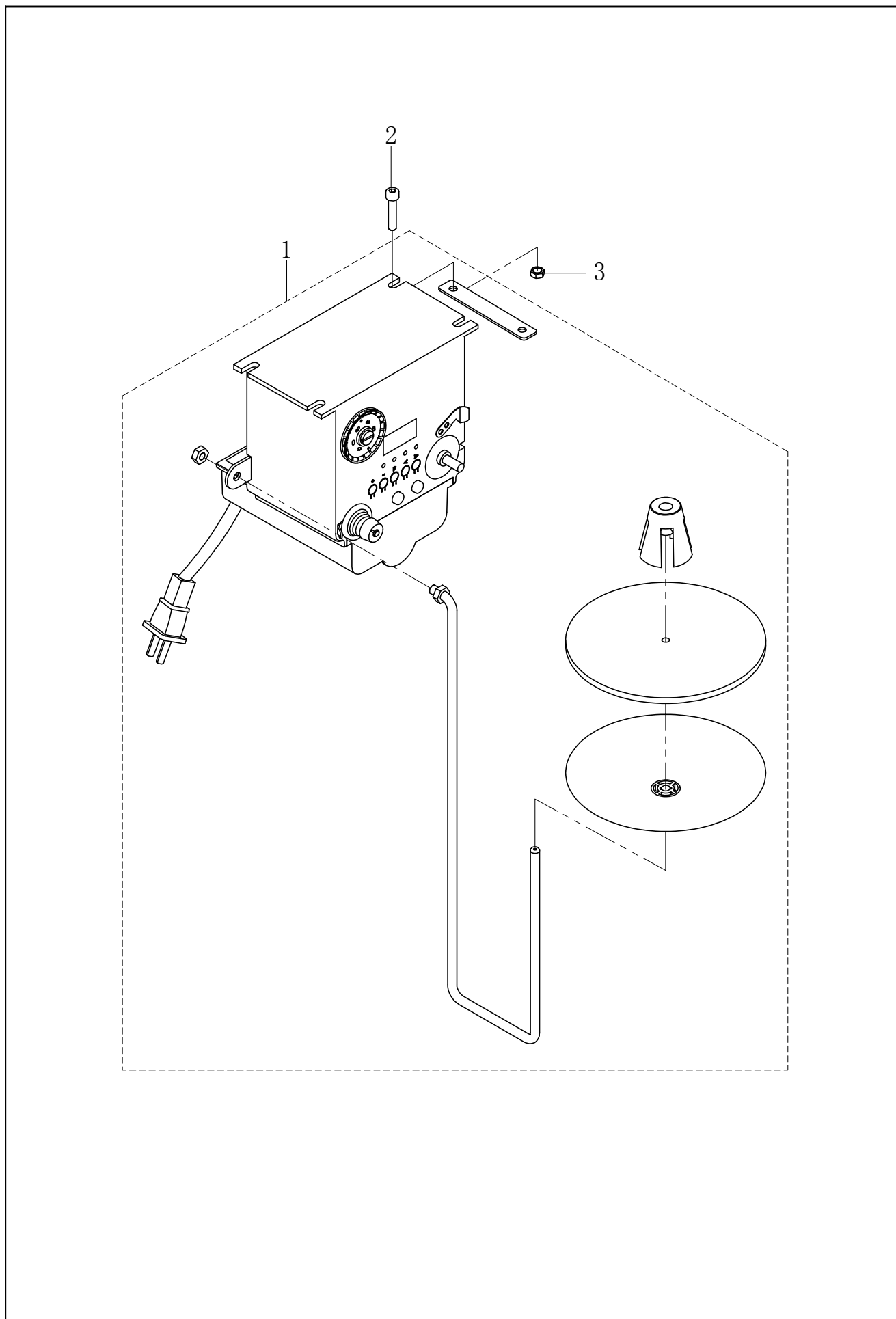
G、穿线装置 / Threading mechanism



G、穿线装置 / Threading mechanism

序号 No.	件号 Part. No.	零部件名称	NAME OF PARTS	数量 Amt.	备注
1	41712077	过线导向A	Arm thread guide A	1	
2	S04028	螺钉M5×8	Screw M5×8	1	
3	4171301400	副夹线器组件	Pair thread gripper component	1	
4	41712079	过线器C	Thread feeder C	1	
5	S04028	螺钉M5×8	Screw M5×8	1	
6	S12001	尖端紧定螺钉M6×8	Tip set screw M6×8	1	
7	41702031	松线销	Thread loosening pin	1	
8	4181361200	主夹线器组件	Main thread gripper component	1	
9	418S30611	线勾连接柱	Hook connecting hole	1	
10	S04082	螺钉M3×6	Screw M3×6	1	41713301
11	41813611	线勾	Hook	1	41722320
12	S05116	螺钉M4×8	Screw M4×8	1	N01024
13	41813622	过线导向弹簧	Arm thread guide spring	1	41712082
14	41726014	针套	Needle sleeve	1	
15	41712078	过线导向B	Thread-crossing guiding part B	1	
16	S04028	螺钉M5×8	Screw M5×8	1	
17	41719001	切刀	Cutter	1	
18	S04028	螺钉M5×8	Screw M5×8	1	
19	41313013	过线轴	Thread-crossing shaft	1	
20	417S30302	螺栓(带垫圈)M4×12	Bolt (with washer) M4×12	1	

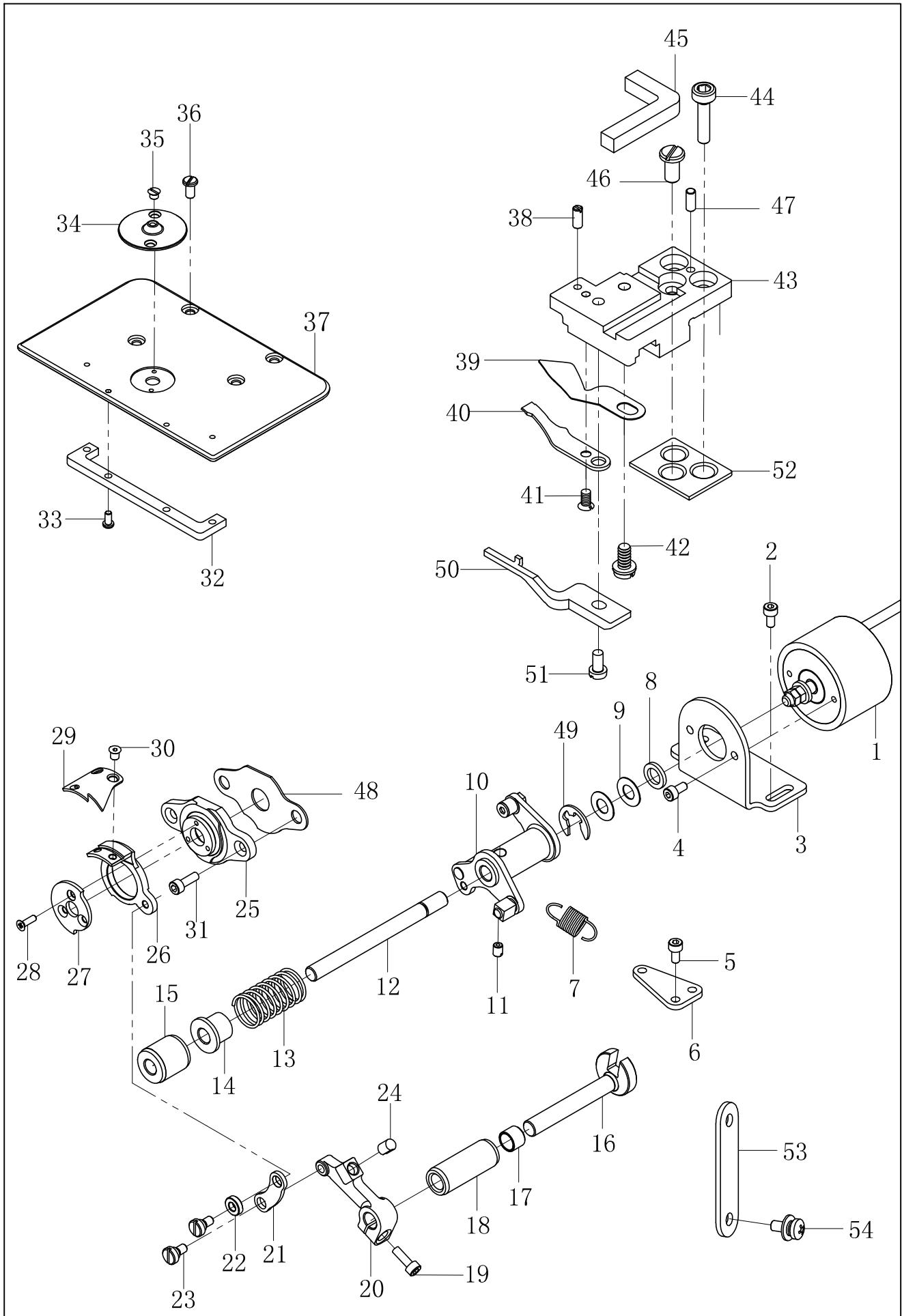
H、卷线装置 / Bobbin winder mechanism



H、卷线装置 / Bobbin winder mechanism

序号 No.	件号 Part. No.	零部件名称	NAME OF PARTS	数量 Amt.	备注
1	41831222	自动绕线器BOSHITE	Automatic bobbin winder BOSHITE	1	
2	S05068	螺栓M5×20	Bolt M5×20	4	
3	407N01001	自锁螺母M5	Self-locking nut M5	4	

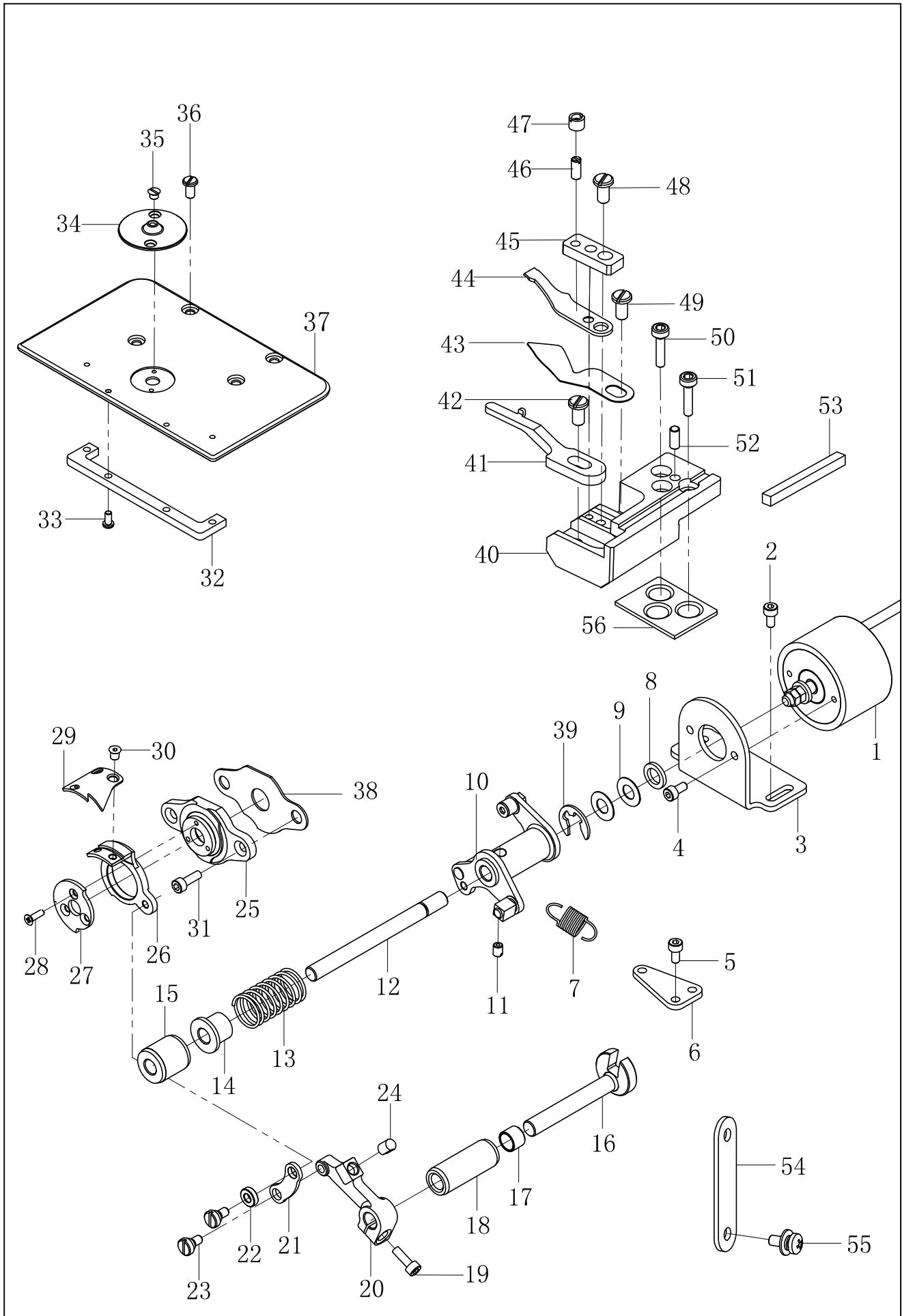
J1、切线装置 / Thread trimmer mechanism



J1、切线装置 / Thread trimmer mechanism

序号 No.	件号 Part. No.	零部件名称	NAME OF PARTS	数量 Amt.	备注
1	41830501	剪线电磁铁C	Thread-cutting electromagnet C	1	
2	417S30306	螺栓(带垫圈)M5×15	Bolt (with washer) M5×15	2	
3	41812507	剪线电磁铁安装板	Mounting plate	1	
4	417S30033	螺钉(带垫圈)M4×8	Bolt (with washer) M4×8	2	
5	S05133	螺钉M4×12	Screw M4×12	2	
6	41812508	弹簧挂钩板C	Spring hook plate C	1	
7	11527001	复位弹簧	Reset spring	1	
8	11322003	电磁铁缓冲垫	Electromagnet buffer	1	
9	10112003	针杆曲柄护板	Needle bar crank hoard	2	
10	1150400200	切线凸轮曲柄组件	Tangent cam crank component	1	
11	116S14003	针杆曲柄销定位螺钉	Positioning screw	1	
12	11402051	切线驱动轴	Drive shaft for threading cutting	1	
13	11327002	弹簧	Spring	1	
14	11322002	扭簧端盖	Torsion spring end cover	1	
15	11503004	切刀驱动轴轴套	Cutter drive shaft sleeve	1	
16	42201526	切线凸轮曲柄轴	Tangent cam crank shaft	1	
17	42203517	切线曲柄轴短套	Short sleeve for tangent crank	1	
18	11303003	切线轴套	Tangent shaft sleeve	1	
19	S05004	螺钉M5×14	Screw M5×14	1	
20	13104006	切线曲柄	Tangent crank	1	
21	11505001	连杆	Connecting rob	1	
22	13128003	连杆垫片	Connecting rod shim	1	
23	113S20001	连杆螺钉	Connecting rod screw	2	
24	11511001	驱动曲柄止动块	Drive crank stopper	1	
25	42209596	剪线刀架支座	Cutter carrier bearing	1	
26	13107002	剪线刀架	Cutter carrier	1	
27	42212668	异形刀架压板	Partiality shank	1	
28	S02031	螺钉M3×5	Screw M3×5	3	
29	13119004	动刀	Moving cutter	1	
30	113S17002	活动刀固定螺钉	Fixed screw for moving cutter	2	
31	S05133	螺钉M4×12	Screw M4×12	2	
32	41812646	针板挡油板	Needle plate oil baffle	1	
33	S04082	螺钉M3×6	Screw M3×6	4	
34	41815011	针孔板 φ1.8T2.0	Pinhole plate φ1.8T2.0	1	
35	417S17001	螺钉SM2.38	Screw SM2.38	2	
36	417S15008	螺钉M4×8	Screw M4×8	4	
37	41815601	针板	Needle plate	1	
38	422S30514	螺钉SM1/8×44	Screw SM1/8×44	1	
39	13112007	护针片	Needle guard	1	
40	13119001	定刀	Fixed cutter	1	
41	113S17001	螺钉	Screw	1	
42	114S11009	挂板螺钉	Hanging board screw	1	
43	41801222	定刀支座	Fixed cutter bearing	1	
44	S05048	螺钉M4×10	Screw M4×10	2	
45	41822611	定刀支座油封	Oil baffle	1	
46	417S15008	螺钉M4×8	Screw M4×8	1	
47	41826611	销子4×10	Pin 4×10	1	
48	41831801	动刀座垫片	Shim	1	
49	H05031	挡圈E6	Bead flange	1	
50	42212555	旋梭定位勾	Positioning hook	1	
51	101S11011	旋梭定位勾螺钉	Positioning hook screw	1	
52	41812296	定刀支座铜垫片	Fixed knife support skim	1	
53	41812659	切线调节盖板	Cover plate	1	
54	417S30025	螺栓(带垫圈)M4×10DB	Screw (with washer) M4×10DB	2	

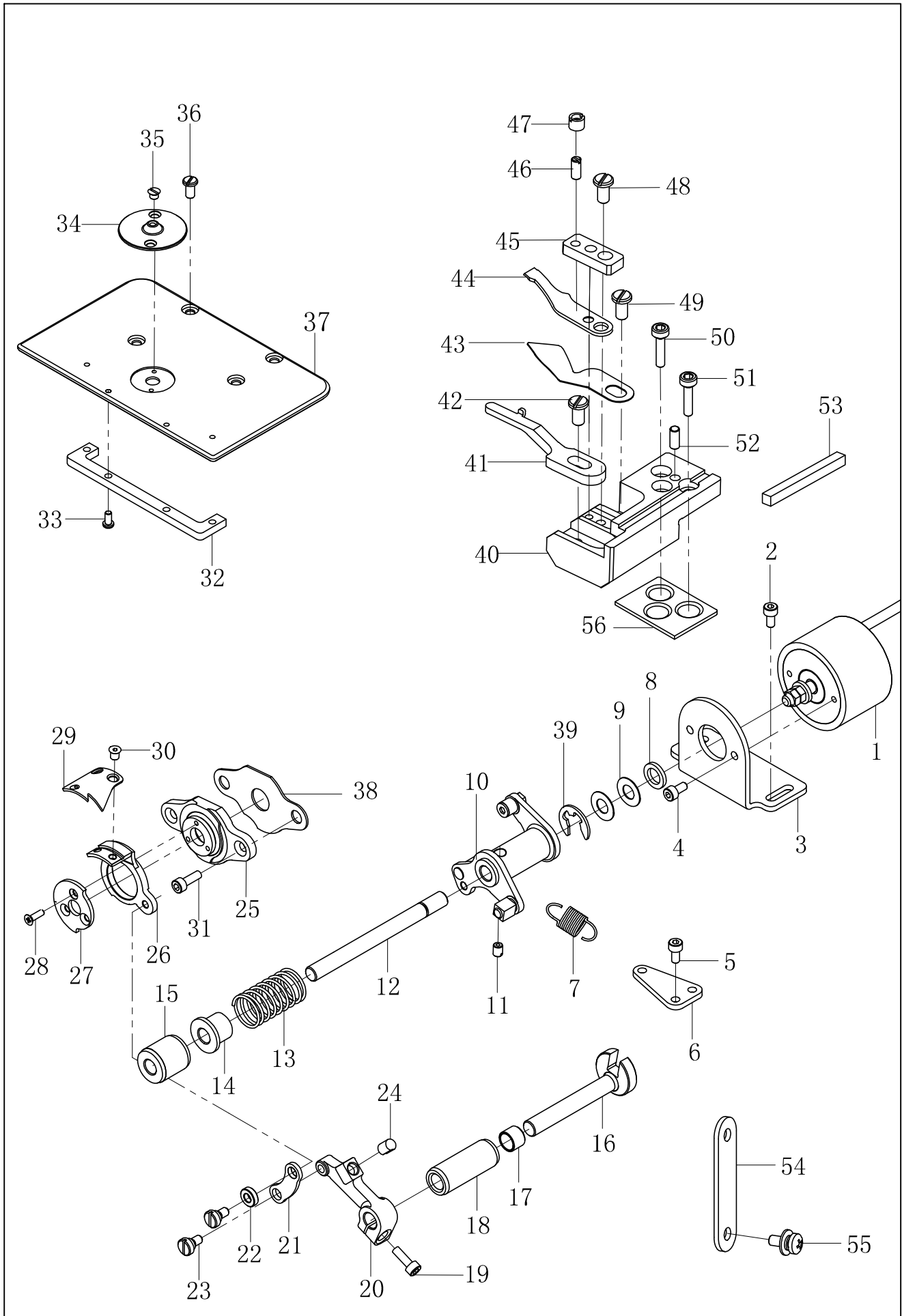
J2、切线装置(L) / Thread trimmer mechanism (L)



J2、切线装置(L) / Thread trimmer mechanism (L)

序号 No.	件号 Part. No.	零部件名称	NAME OF PARTS	数量 Amt.	备注
1	41830501	剪线电磁铁C	Thread-cutting electromagnet C	1	
2	417S30306	螺栓(带垫圈)M5×15	Bolt (with washer) M5×15	2	
3	41812507	剪线电磁铁安装板	Mounting plate	1	
4	417S30033	螺钉(带垫圈)M4×8	Bolt (with washer) M4×8	2	
5	S05133	螺钉M4×12	Screw M4×12	2	
6	41812508	弹簧挂钩板C	Spring hook plate C	1	
7	11527001	复位弹簧	Reset spring	1	
8	11322003	电磁铁缓冲垫	Electromagnet buffer	1	
9	10112003	针杆曲柄护板	Needle bar crank hoard	2	
10	1150400200	切线凸轮曲柄组件	Tangent cam crank component	1	
11	116S14003	针杆曲柄销定位螺钉	Positioning screw of needle bar crank	1	
12	11402051	切线驱动轴	Drive shaft for threading cutting	1	
13	11327002	弹簧	Spring	1	
14	11322002	扭簧端盖	Torsion spring end cover	1	
15	11503004	切刀驱动轴轴套	Cutter drive shaft sleeve	1	
16	42201526	切线凸轮曲柄轴	Tangent cam crank shaft	1	
17	11503005	切线曲柄轴短套	Short sleeve for tangent crank	1	
18	11303003	切线轴套	Tangent shaft sleeve	1	
19	S05004	螺钉M5×14	Screw M5×14	1	
20	11504001	曲柄	Tangent crank	1	
21	11505001	连杆	Connecting rod	1	
22	13128003	连杆垫片	Connecting rod shim	1	
23	418S20214	轴位螺钉	Screw	2	
24	11511001	驱动曲柄止动块	Drive crank stopper	1	
25	42209596	剪线刀架支座	Cutter carrier bearing	1	
26	11501001	剪线刀架	Cutter carrier	1	
27	42212668	异形刀架压板	Partiality shank	1	
28	S02031	螺钉M3×5	Screw M3×5	3	
29	11319002	动刀	Moving cutter	1	
30	113S17002	活动刀固定螺钉	Fixed screw for moving cutter	2	
31	S05133	螺钉M4×12	Screw M4×12	2	
32	41812646	针板挡油板	Needle plate oil baffle	1	
33	S04082	螺钉M3×6	Screw M3×6	4	
34	41815011	针孔板 φ1.8T2.0	Pinhole plate φ1.8T2.0	1	
35	417S17001	螺钉SM2.38	Screw SM2.38	2	
36	417S15008	螺钉M4×8	Screw M4×8	4	
37	41815601	针板	Needle plate	1	
38	41831801	动刀座垫片	Shim	1	
39	H05031	挡圈E6	Bead flange	1	
40	141801001	定位勾支座	Positioning hook bearing	1	
41	141812022	旋梭定位钩	Positioning hook	1	
42	S05004	螺钉M5×14	Screw M5×14	1	
43	11312003	护针片	Needle guard	1	
44	11319001	定刀	Fixed cutter	1	
45	141812021	定刀压板	Fixed cutter pressure plate	1	
46	422S30514	螺钉SM1/8×44	Screw SM1/8×44	1	
47	136S16003	螺母SM9/64×40	Nut SM9/64×40	1	
48	114S11009	挂板螺钉	Hanging board screw	1	
49	114S11009	挂板螺钉	Hanging board screw	1	
50	S05048	螺钉M4×10	Screw M4×10	2	
51	417S15008	螺钉M4×8	Screw M4×8	1	
52	41826611	销子4×10	Pin 4×10	1	

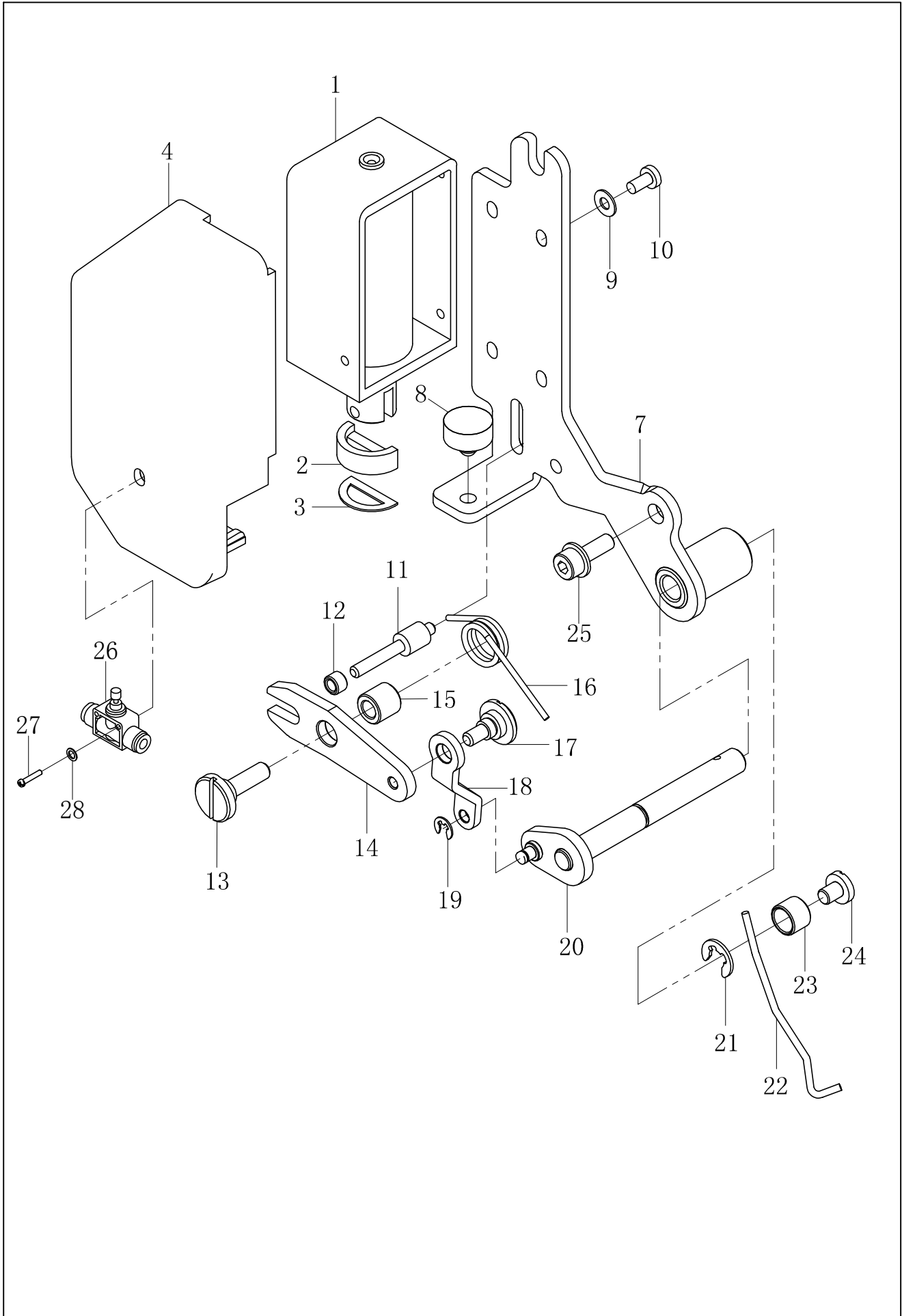
J2、切线装置(L) / Thread trimmer mechanism (L)



J2、切线装置(L) / Thread trimmer mechanism (L)

序号 No.	件号 Part. No.	零部件名称	NAME OF PARTS	数量 Amt.	备注
53	41822611	油封	Oil baffle	1	
54	41812659	切线调节盖板	Cover plate	1	
55	417S30025	螺栓(带垫圈)M4×10DB	Screw (with washer) M4×10DB	2	
56	41812296	定刀支座铜垫片	Fixed knife support skim	1	

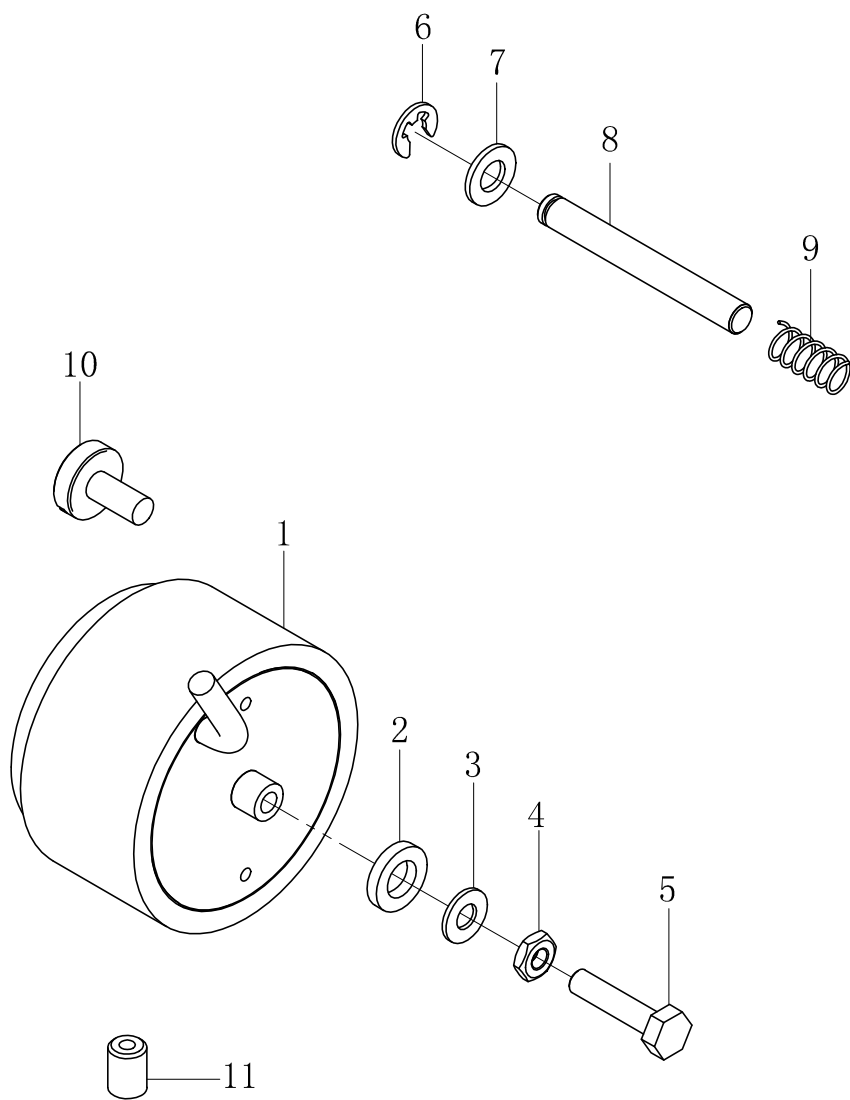
K、扫线装置 / Thread wiper mechanism



K、扫线装置 / Thread wiper mechanism

序号 No.	件号 Part. No.	零部件名称	NAME OF PARTS	数量 Amt.	备注
1	41830217	扫线电磁铁	Sweeping electromagnet	1	
2	41822212	D形缓冲垫	D-shape cushion	1	
3	41828212	D形垫圈	D-shape washer	1	
4	41811213	电磁铁盖	Electromagnet cover	1	
6	W01002	M3垫片	M3 washer	1	
7	4181226100	扫线电磁铁安装板组件	Mounting plate component	1	
8	41822213	缓冲块	Buffer block	1	
9	W01002	M3垫片	M3 washer	4	
10	S04082	螺钉M3×6	Screw M3×6	4	
11	41826215	销子	Pin	1	
12	41803223	铜垫圈	Copper washer	1	
13	418S20213	轴位螺钉B	Head screw B	1	
14	41812264	驱动摆杆	Drive swinging rod	1	
15	41803225	套管	Casing tube	1	
16	41827212	扭簧	Torsional spring	1	
17	418S20212	轴位螺钉A	Head screw A	1	
18	41812235	扫线连杆	Sweeping connection rod	1	
19	H03057	开口挡圈3	Split washer 3	1	
20	4180421400	扫线曲柄组件	Sweeping crank component	1	
21	H05006	挡圈5	washer 5	1	
22	41827211	扫线钢丝	Sweeping steel wire	1	
23	41803220	挡线轴挡圈	Spool washer	1	
24	417S15013	螺钉M4×5	Screw M4×5	1	
25	417S30302	螺栓(带垫圈)M4×12	Bolt (with washer) M4×12	2	
26	41845232	T形接管KJT04	T-pipe coupling	1	
27	S01591	螺钉M3×18	Screw M3×18	1	
28	W01002	M3垫片	M3 washer	1	

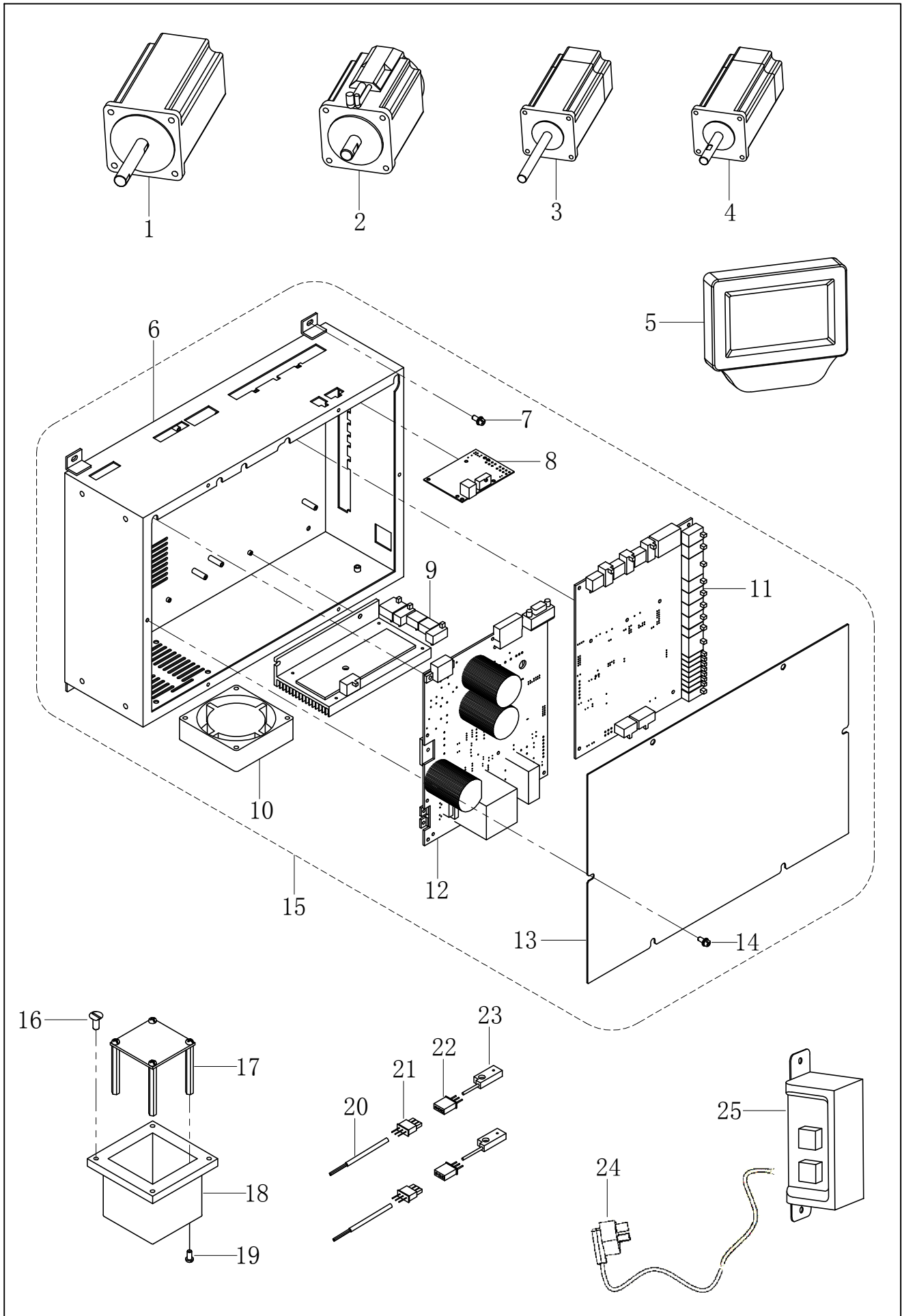
L、松线装置 / Tension release mechanism



L、松线装置 / Tension release mechanism

序号 No.	件号 Part. No.	零部件名称	NAME OF PARTS	数量 Amt.	备注
1	41830464	松线电磁铁HV	Thread-loosing electromagnet HV	1	
2	41722020	缓冲垫圈	Buffering washer	1	
3	W01001	M4垫片	M4 gasket	1	
4	N01024	六角螺母M4	Hex nut M4	1	
5	L02071	六角头螺栓M4×18	Hex head bolt M4×18	1	
6	H05029	挡圈E4	Retainer ring E4	1	
7	W01009	垫圈5	Washer 5	2	
8	41826220	松线杆	Thread-loosing rod	1	
9	41727013	弹簧	Spring	1	
10	114S11003	螺钉3/16-28 L=10	Screw 3/16-28 L=10	2	
11	S10009	凹端紧定螺钉M6×8	Concave set screw M6×8	1	

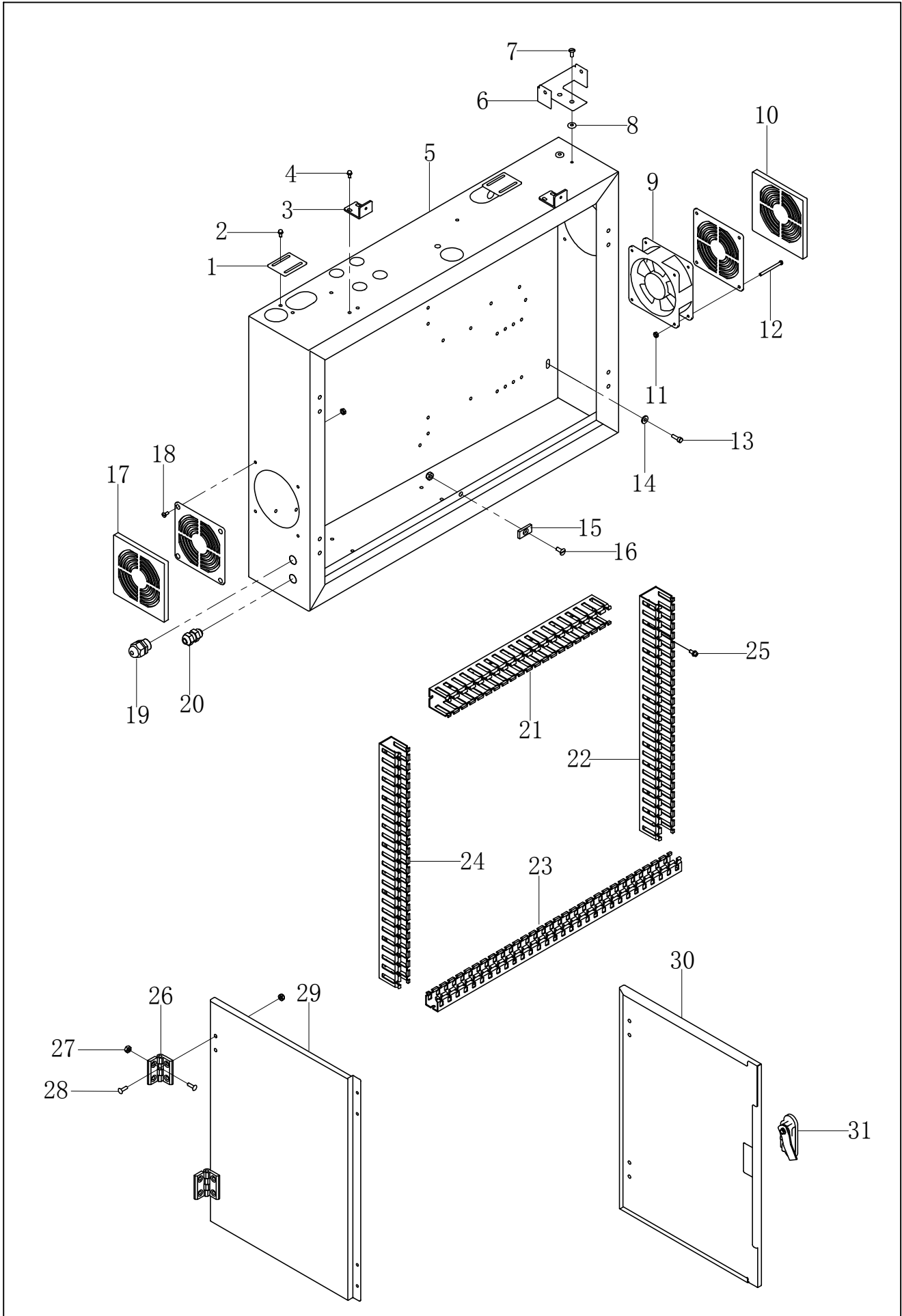
M1、控制箱X装置(T) / Control box mechanism (T)



M1、控制箱×装置(T) / Control box mechanism (T)

序号 No.	件号 Part. No.	零部件名称	NAME OF PARTS	数量 Amt.	备注
1	41830015	Y步进电机B	Ystepper motor B	1	
2	41833212	主轴电机	Spindle motor	1	
3	41833611	中压脚电机	Middle press foot motor	1	
4	41833500	X模组电机	X stepper motor	1	
5	41830641	显示屏V2CP	Display screen V2CP	1	
6	41812655	电控箱体V2CP	Electronic-controlled box V2CP	1	
7	417S30025	螺栓(带垫圈)M4×10DB	Bolt (with washer) M4×10DB	4	
8	41830645	剪线模块V2CP	Trimming module V2CP	1	
9	41830646	扩展模块V2CP	Expander module V2CP	1	
10	41830644	风扇V2CP	Fan V2CP	1	
11	41830642	主板V2CP	Control box V2CP	1	
12	41830643	电源板V2CP	Power panel V2CP	1	
13	41812656	电控箱盖板V2CP	Electronic-controlled box cover V2CP	1	
14	417S30025	螺栓(带垫圈)M4×10DB	Bolt (with washer) M4×10DB	6	
15	41830611	星火电控V2CP款	XINGHUO control box V2CP	1	
16	S02039	螺钉M4×9	Screw M4×9	2	
17	41830621	RFID射频模块H30	Radio frequency module H30	1	
18	4181121800	射频模块安装壳组件	RF module mounting shell assembly	1	
19	S04082	螺钉M3×6	Screw M3×6	4	
20	42230816	导线3C	Lead 3C	2	
21	42230004	传感器接插件A	Sensor connectorA	2	
22	42230005	传感器接插件B	Sensor connectorB	2	
23	41730851	传感器	Sensor connector	2	
24	42230512	主电源开关线	Main power source switching line	1	
25	41830213	押扣开关	Gate-controlled switch	1	

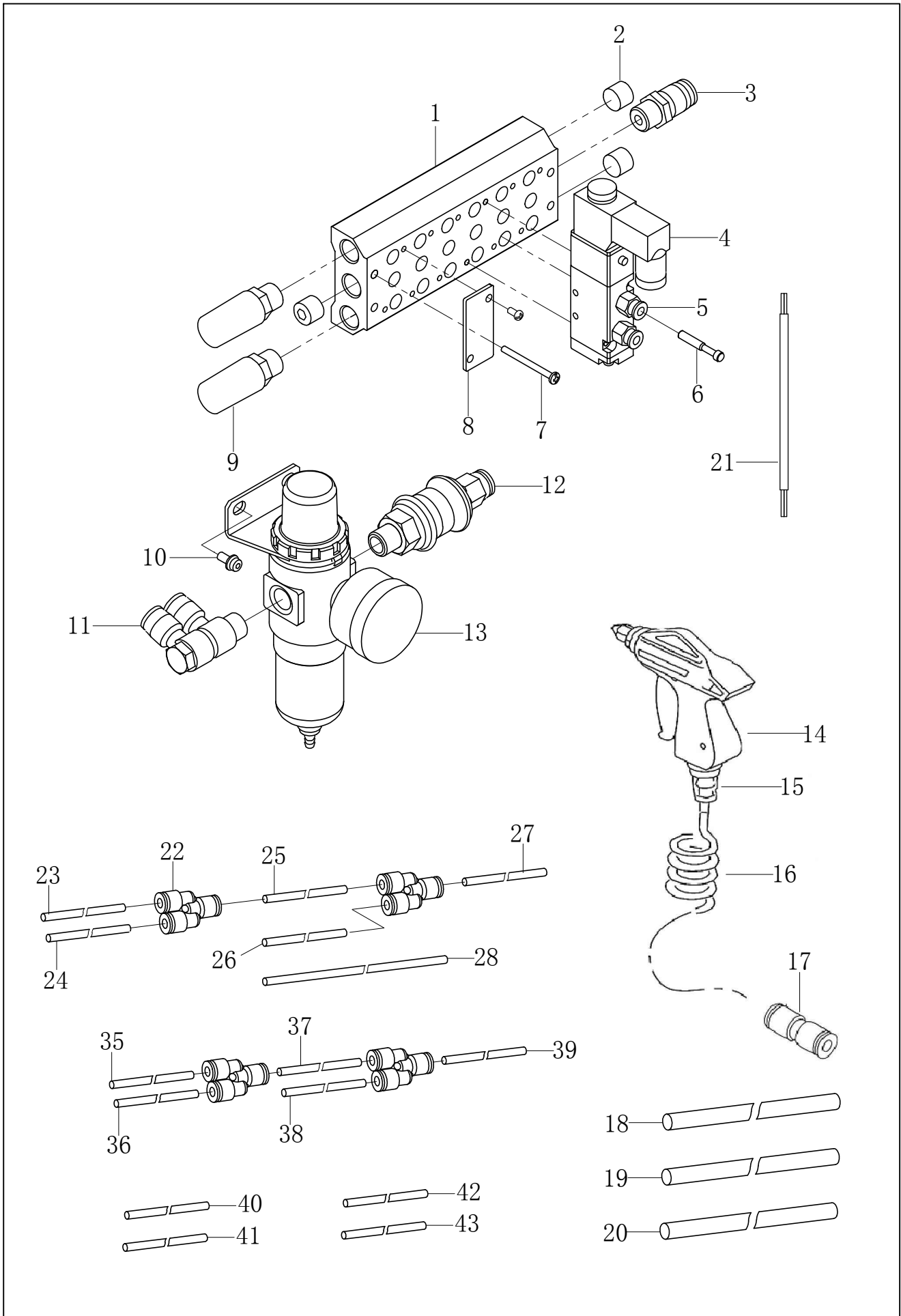
M2、电控柜装置 / Electric control box mechanism



M2、电控柜装置 / Electric control box mechanism

序号 No.	件号 Part. No.	零部件名称	NAME OF PARTS	数量 Amt.	备注
1	41812616	卡板	Snap-gauge	2	
2	417S30025	螺栓(带垫圈)M4×10DB	Bolt (with washer) M4×10DB	4	
3	41812131	机架后盖固定板B	Fixed palte	2	
4	417S30025	螺栓(带垫圈)M4×10DB	Bolt (with washer) M4×10DB	4	
5	304576	电控柜组件	Electric control cabinet subassembly	1	4181261200
6	41812652	继电器安装板	Relay mounting panel	1	
7	S02039	螺钉M4×9	Screw M4×9	2	
8	41828611	平垫圈M5	Plain washer M5	2	
9	41830012	风扇	Fan	1	
10	41811013	风扇网罩	Fan guard	1	
11	407N01002	自锁螺母M4	Self-locking nut M4	8	
12	S02117	十字槽沉头螺钉M4×50	Cross recess pan head screw	4	
13	S05124	螺栓M5×16	Bolt (with washer) M5×50	4	
14	41828611	平垫圈M5	Plain washer	4	
15	41831616	方形磁铁	Square magnet	2	
16	S02039	螺钉M4×9	Screw M4×9	2	
17	41811013	风扇网罩	Fan guard	1	
18	S02039	螺钉M4×9	Screw M4×9	4	
19	41811215	出线口	Outlet	1	
20	41845022	出气口	Air outlet	1	
21	41811602	线槽5040	Trunking 5040	1	
22	41811602	线槽5040	Trunking 5040	1	
23	41811603	线槽3030	Trunking 3030	1	
24	41811604	线槽5030	Trunking 5030	1	
25	417S30025	螺栓(带垫圈)M4×10DB	Bolt (with washer) M4×10DB	8	
26	41831016	合页	Hinge	4	
27	407N01001	自锁螺母M5	Self-locking nut M5	16	
28	417S17852	螺钉M5×15	Screw M4×9	16	
29	304577	电控柜左门	Left door of electric control cubicle	1	41812614
30	304578	电控柜右门	Right door of electric control cubicle	1	41812615
31	41831014	电控柜锁	Electric control cubicle lock	1	

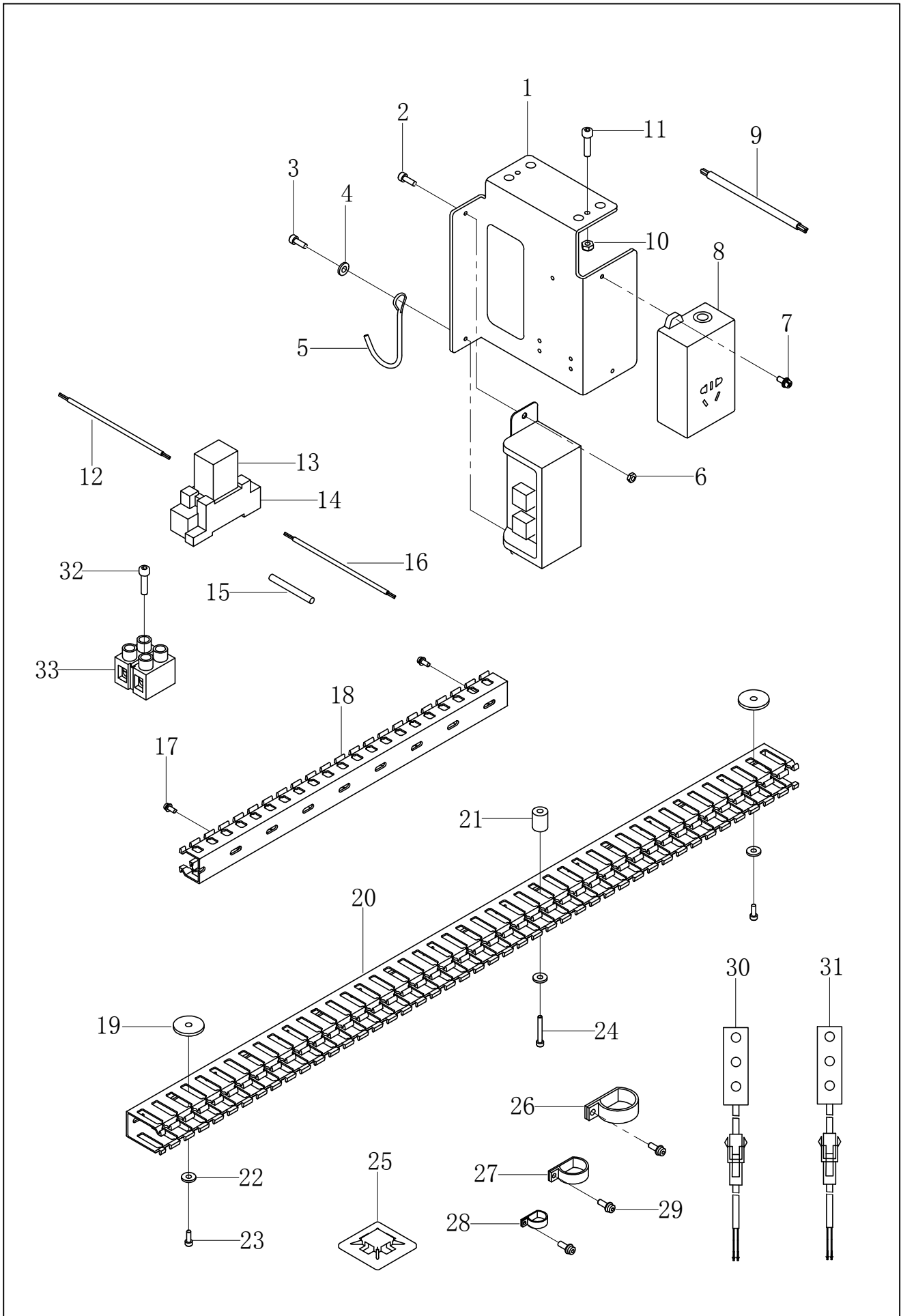
P、空压装置 / Air pressure mechanism



P、空压装置 / Air pressure mechanism

序号 No.	件号 Part. No.	零部件名称	NAME OF PARTS	数量 Amt.	备注
1	41845021	双通汇流板100M6F	Bi-pass manifold base	1	
2	41845219	内六角堵头ABP02	Bspt male hollow plug	3	
3	40736021	接头PL802	Splice PL802	1	
4	41845212	电磁阀4V110-06-B	Solenoid valve	4	
5	41845222	螺纹直通APC4-01	YPCF-TPCF	8	
6	42122001	快换插头KQ2P-04	Quick change plug KQ2P-04	1	
7	421S11013	螺栓M4×35	Bolt M4×35	4	
8	41845213	盲盖100M	Blank cap 100M	2	
9	41845214	消音器PAL02	Silencer PAL02	2	
10	417S30025	螺栓(带垫圈)M4×10DB	Bolt (with washer) M4×10DB	2	
11	42236512	气管接头APC8-02	Gas-type fitting APC8-02	1	
12	42130096	手动开关VHK3	Hand switch VHK3	1	
13	40730024	气源处理元件AFR20001	Clean Air Component AFR20001	1	
14	41845220	气枪AG-B	Air gun AG-B	1	
15	40736018	螺纹直通APC6-02	YPCF-TPCF	1	
16	42211540	螺旋气管6×4	Scroll collector	1	
17	40736022	气管接头APG6	Gas-type fitting APG6	1	
18	42221503	气管φ8	Weasand φ8	0.2	
19	42221503	气管φ8	Weasand φ8	3.5	
20	42221503	气管φ8	Weasand φ8	3.5	
21	41730022	电磁阀接线	Wiring of the solenoid valve	4	
22	40736036	气管接头APY4(Y型三通)	Gas-type fitting	4	
23	41845223	气管φ4×2.5透明蓝	Blue weasand φ4×2.5	0.5	
24	41845223	气管φ4×2.5透明蓝	Blue weasand φ4×2.5	0.5	
25	41845223	气管φ4×2.5透明蓝	Blue weasand φ4×2.5	2.5	
26	41845223	气管φ4×2.5透明蓝	Blue weasand φ4×2.5	3	
27	41845223	气管φ4×2.5透明蓝	Blue weasand φ4×2.5	1	
28	41845224	气管φ4×2.5黑色	Black weasand φ4×2.5	3	
35	41845224	气管φ4×2.5黑色	Black weasand φ4×2.5	0.2	
36	41845224	气管φ4×2.5黑色	Black weasand φ4×2.5	0.2	
37	41845224	气管φ4×2.5黑色	Black weasand φ4×2.5	3	
38	41845224	气管φ4×2.5黑色	Black weasand φ4×2.5	3	
39	41845223	气管φ4×2.5透明蓝	Blue weasand φ4×2.5	0.5	
40	41845224	气管φ4×2.5黑色	Black weasand φ4×2.5	3.5	
41	41845223	气管φ4×2.5透明蓝	Blue weasand φ4×2.5	3.5	
42	41845224	气管φ4×2.5黑色	Black weasand φ4×2.5	4	
43	41845223	气管φ4×2.5透明蓝	Blue weasand φ4×2.5	4	

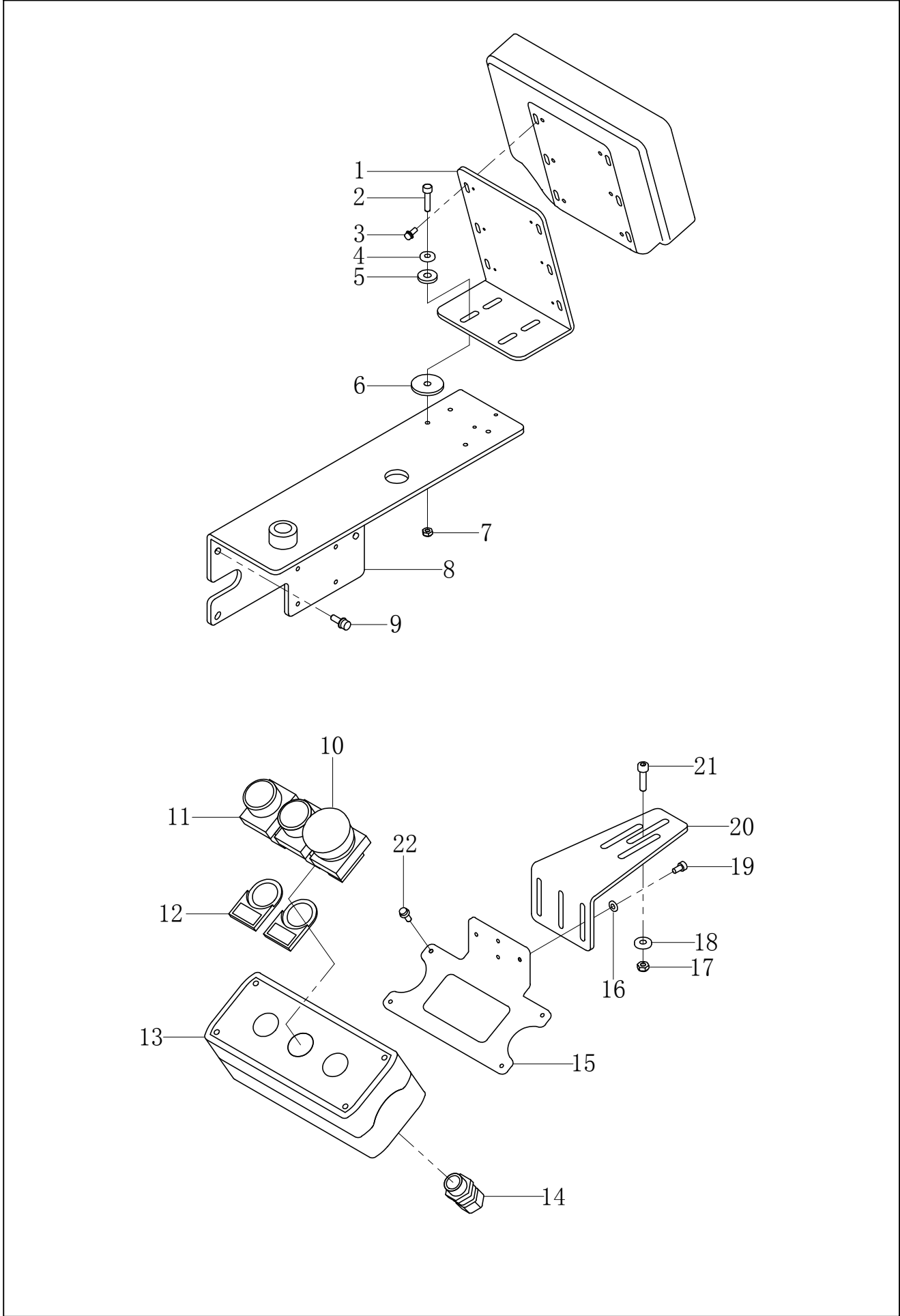
Q、电器部品装置 / Power supply equipment mechanism



Q、电器部品装置 / Power supply equipment mechanism

序号 No.	件号 Part. No.	零部件名称	NAME OF PARTS	数量 Amt.	备注
1	41812060	电源开关支架	Power switch holder	1	
2	417S30025	螺栓(带垫圈)M4×10DB	Bolts (with washer) M4×10DB	1	
3	S05118	螺栓M4×16	Bolts M4×16	1	
4	41828611	平垫圈M5	Plain washer M5	1	
5	42212620	挂钩	Poohook	1	
6	407N01002	自锁螺母M4	Self-locking nut M4	2	
7	417S30025	螺栓(带垫圈)M4×10DB	Bolts (with washer) M4×10DB	2	
8	41830021	插线板A01	Patch board A01	1	
9	99200037	控制器电源线	Controller power cord	0.4	
10	407N01001	自锁螺母M5	Self-locking nut M5	2	
11	S05124	螺栓M5×16	Bolts M5×16	2	
12	41730022	电磁阀接线	Solenoid valve connection	1	
13	41830302	中间继电器	Intermediate relay	1	
14	41830303	中间继电器座	Intermediate relay holder	1	
15	41831617	黄腊管	PVC silicone fiberglass sleeving	1	
16	41830631	二芯电线	Two core wire	1	
17	417S30025	螺栓(带垫圈)M4×10DB	Bolts (with washer) M4×10DB	2	
18	41811603	线槽3040	Slot 3040	1	
19	40931008	电机座垫	The motor seat cushion	2	
20	41811604	线槽5030	Slot 5030	1	
21	42226812	夹紧销	Clamping pin	1	
22	41828611	平垫圈M5	Plain washer M5	3	
23	S05133	螺栓M4×12	Bolts M4×12	2	
24	S05063	螺栓M4×25	Bolts M4×25	1	
25	61910026	粘式配线固定座HC-101WP	Hc-101wp fixed base	10	
26	41711025	电线夹19	Cord grip 19	1	
27	41711015	电线夹13.2	Cord grip 13.2	5	
28	41711014	电线夹6.4	Cord grip 6.4	1	
29	417S30025	螺栓(带垫圈)M4×10DB	Bolts (with washer) M4×10DB	7	
30	41730070	LED灯(TD-5)	LED Light (TD-5)	1	
31	41730070	LED灯(TD-5)	LED Light (TD-5)	1	
32	41831625	接线端子	Connection terminal	1	
33	S01591	螺钉M3×18	Screw M3×18	1	
41	41837611	电磁泵警告标贴	Waming label electromagnetic pump	1	
42	41837612	高压危险标贴	High voltage electrical hazad labeling	2	
43	41837613	重心标贴	Centroid label	2	
44	41837614	机械防撞标贴	Mechanical anti-collision labeling	2	
45	41837615	电源线警告标贴	Power cord labeling	1	
46	20131063	挑线杆警告标志	Waming label	1	
47	41837101	油量调节标签	Oil regulation label	1	
48	41837105	透明油窗标签	Transparent oil window label	1	
49	41837106	透明油盒标签	Transparent oil tank label	1	
50	61910001	大扎带	Great tie band	10	
51	61910003	小扎带	Small tie band	30	

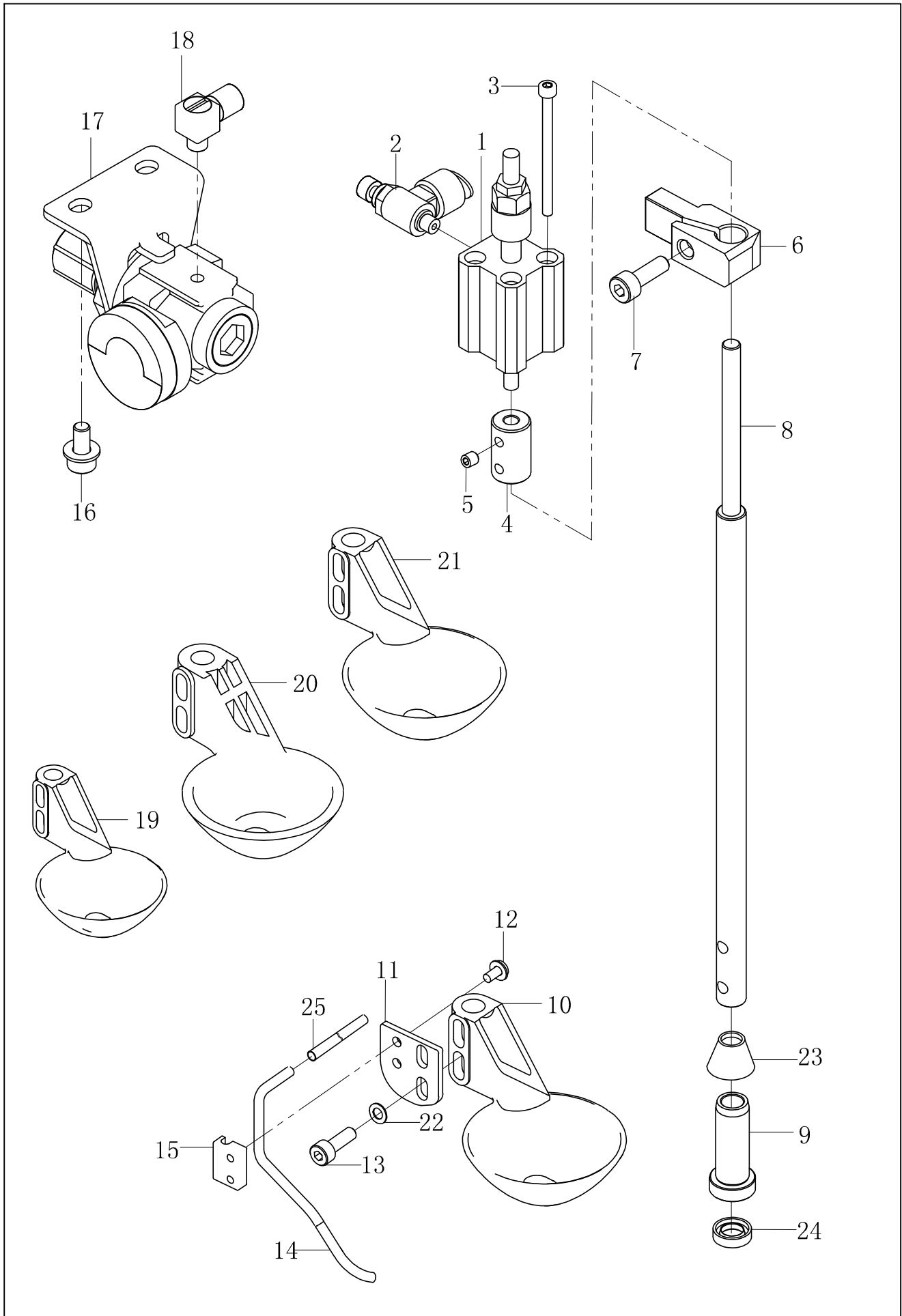
R、操作界面装置 / Operation interface mechanism



R、操作界面装置 / Operation interface mechanism

序号 No.	件号 Part. No.	零部件名称	NAME OF PARTS	数量 Amt.	备注
1	304058	操作屏V2支架	Operating screen V2 bracket	1	4181241300
2	S05218	内六角螺钉M5×22	Inner hexagon screw M5×22	4	
3	417S30025	螺栓(带垫圈)M4×10DB	Bolt (with washer) M4×10DB	6	
4	41828611	平垫圈M5	Flat washer M5	4	
5	41822012	减振垫圈	damping washer	4	
6	40931008	电机座垫	The motor seat cushion	4	
7	407N01001	自锁螺母M5	Self-locking nut M5	4	
8	304057	显示屏支架座组件	Display bracket assembly	1	4181241000
9	417S30306	螺栓(带垫圈)M5×15	Bolt (with washer)M5×15	4	
10	41830215	急停开关	Emergency stop button	1	
11	41830214	按钮开关	Button switch	2	
12	41811216	开关标牌框组件	Switch plate frame assembly	2	
13	41811214	按钮开关盒	Button switch box	1	
14	41811215	出线口	Outlet	1	
15	41812061	开关盒安装板A	Switch box mounting panel A	1	
16	W01001	M4垫片	M4 gasket	3	
17	407N01001	自锁螺母M5	Self-locking nut M5	3	
18	41828611	平垫圈M5	Flat washer M5	3	
19	S05116	螺栓M4×8	Bolt the M4×8	3	
20	41812062	开关盒安装板B	Switch box mounting panel B	1	
21	S05218	内六角螺钉M5×22	Inner hexagon screw M5×22	3	
22	417S30302	螺栓(带垫圈)M4×12	Bolt (with washer) M4×12	4	

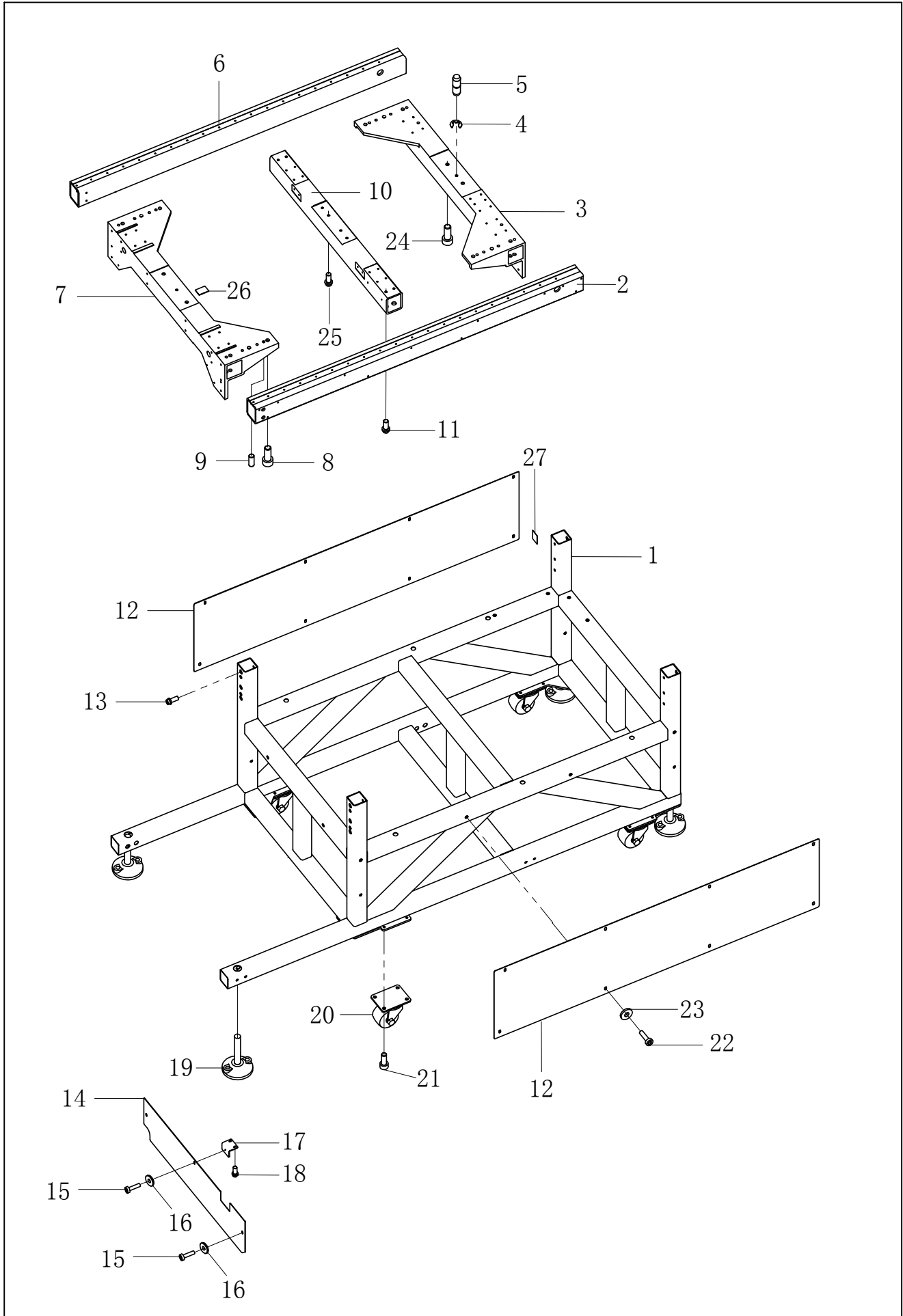
T、大压脚装置 / External work clamp mechanism



T、大压脚装置 / External work clamp mechanism

序号 No.	件号 Part. No.	零部件名称	NAME OF PARTS	数量 Amt.	备注
1	41845015	行程可调节气缸12-15D	Cylinder 12-15d	1	
2	41845231	接头ASL4-M5	Splice ASL4-M5	2	
3	S05330	螺钉M3×45	Screw M3×45	4	
4	41803024	大压脚气缸联轴器	Large pressure foot cylinder coupling	1	
5	S10007	凹端紧定螺钉M4×4	Concave end set screw M4×4	4	
6	41809213	大压脚压杆导架	Large foot presser bar guide frame	1	
7	S05133	螺栓M4×12	Bolt the M4×12	1	
8	41802220	大压脚压杆	High pin bar	1	
9	41803030	大压杆轴套	Presser bar bush	1	11403007
10	41816611	大压脚E	Big presser foot E	1	
11	41812143	铜管安装板	Copper pipe mounting plate	1	
12	S05192	螺钉M3×6	Screw M3×6	2	
13	S05133	螺栓M4×12	Bolt M4×12	2	
14	41821014	铜管D	Copper pipe	1	
15	41801064	铜管压板	Copper pipe clamp	1	
16	417S30033	螺栓(带垫圈)M4×8	Bolt (with washer) M4×8	2	
17	4073000900	压力调节器	Pressure governor	1	
18	42230519	微型接头M-5HLH-4	Micro connector M-5HLH-4	2	
19	41816211	大压脚B	Big presser foot B	3	
20	41811015	大压脚C	Big presser foot c	3	
21	41816031	大压脚D	Big presser foot D	1	
22	41728025	平垫圈L3.5	Washer	2	
23	41822101	橡皮垫	Rubber pad	1	
24	1252202600	油封	Oil seal	1	
25	141845005	软管φ4×φ2.5	Hose φ4×φ2.5	0.2	

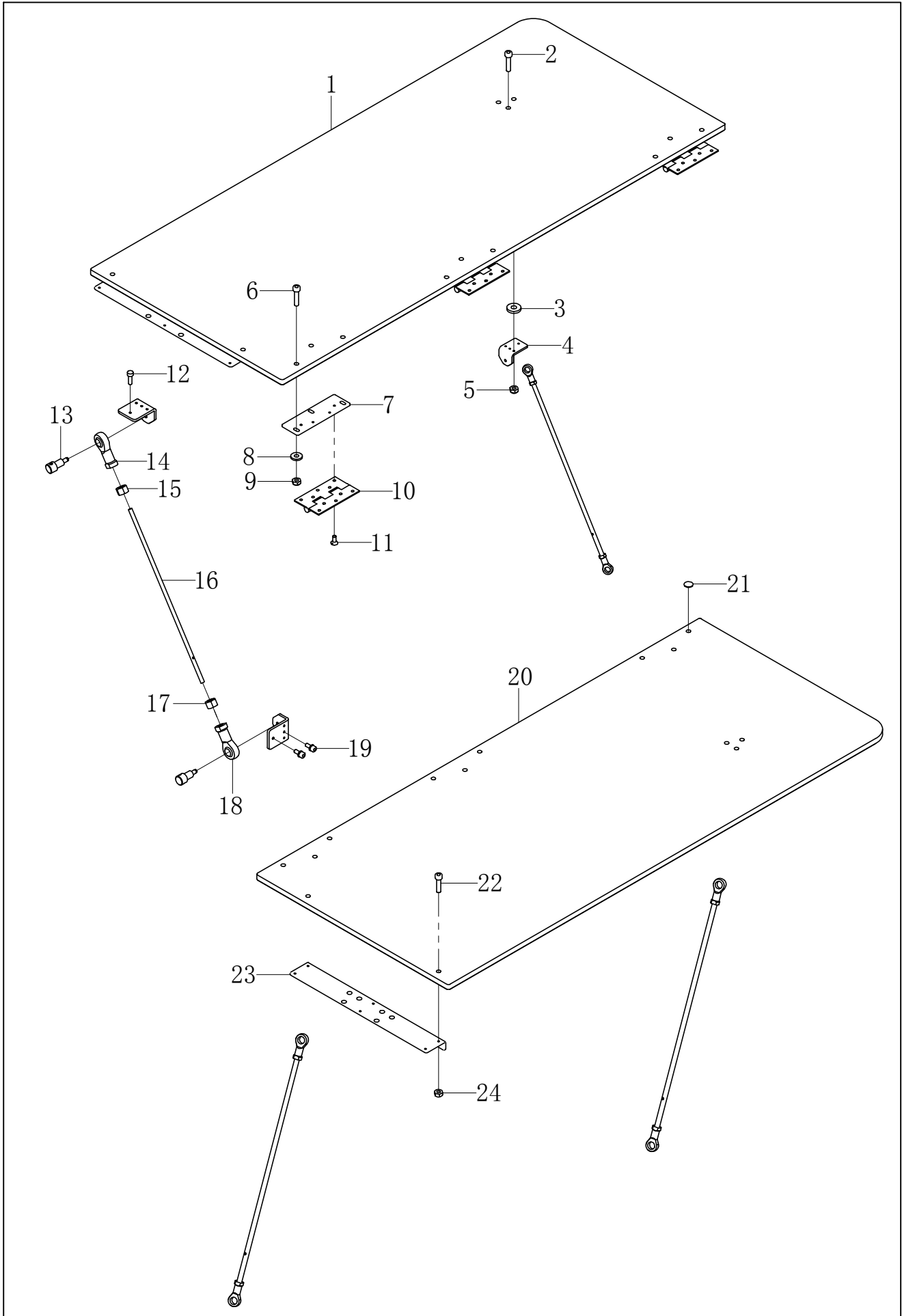
U、机架部分 / Table mechanism



U、机架部分 / Table mechanism

序号 No.	件号 Part. No.	零部件名称	NAME OF PARTS	数量 Amt.	备注
1	303072	机架组件C	Rack component C	1	4183263000
2	304580	Y右导轨座	Y right rail seat	1	41832606
3	303898	底板后支座	Backplane support	1	41801225
4	H05031	挡圈E6	Retaining ring E6	2	
5	41826224	销子8×25	Pin 8×25	2	
6	304579	Y左导轨座	Y left rail seat	1	41832605
7	303897	底板前支座	Base front support	1	41801224
8	S05107	螺钉M10×25	Screw M10×25	12	
9	41826213	圆柱销8×20	Cylindrical pin 8×20	8	
10	304657	底板中支座C	Support C in the bottom plate	1	41832625
11	417S30304	螺栓(带垫圈)M6×20	Bolt (with washer) M6×20	6	
12	304584	机架侧盖	Rack side cover	2	41812619
13	417S30304	螺栓(带垫圈)M6×20	Bolt (with washer) M6×20	12	
14	304585	机架前盖	Rack front cover	1	41812620
15	S05123	内六角圆柱头螺钉M5×12	Hexagon socket head cap screw M5×12	3	
16	41828611	平垫圈M5	Flat washer M5	3	
17	41812070	机架后盖固定板	Rack rear cover fixing plate	1	
18	417S30302	螺栓(带垫圈)M4×12	Bolt (with washer) M4×12	2	
19	41831212	脚垫M20	Foot pad M20	4	
20	42232502	脚轮	Casters	4	
21	S05193	螺钉M8×16	Screw M8×16	16	
22	S05123	内六角圆柱头螺钉M5×12	Screw M5×12	16	
23	41828611	平垫圈M5	Flat washer M5	16	
24	S05107	螺钉M10×25	Screw M10×25	4	
25	417S30304	螺栓(带垫圈)M6×20	Bolt (with washer) M6×20	4	
26	41812297	底板中支座垫片	Shim	1	
27	41812233	机架垫片	Shim	1	

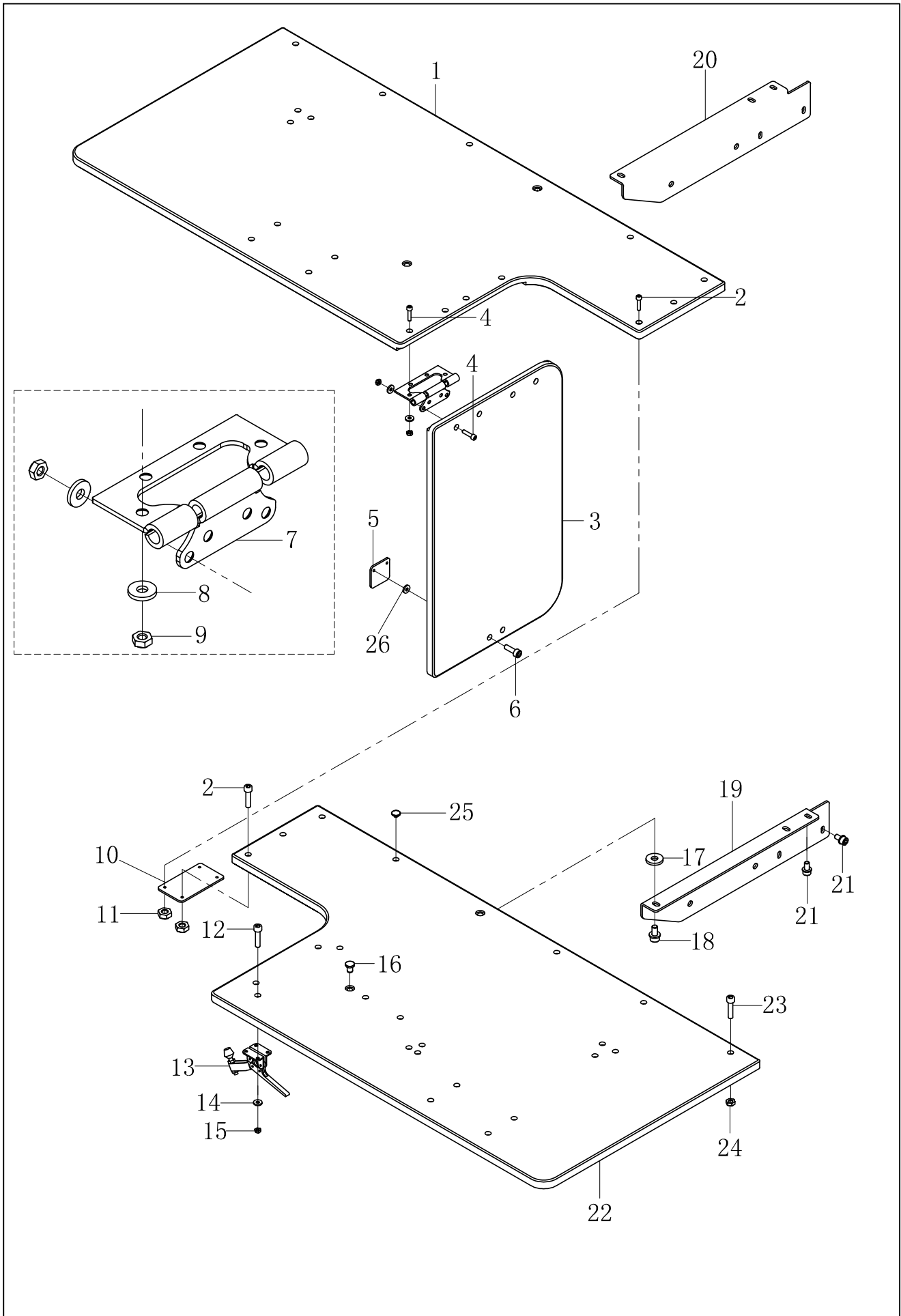
V1、辅助台面装置 / Auxiliary platen mechanism



V1、辅助台面装置 / Auxiliary platen mechanism

序号 No.	件号 Part. No.	零部件名称	NAME OF PARTS	数量 Amt.	备注
1	41832620	辅助台面(左)	Auxiliary countertop (left)	1	
2	S05218	内六角螺钉M5×22	Hexagon socket head cap screws M5×22	6	
3	40931008	电机座垫	Motor seat cushion	6	
4	41812621	关节轴承安装板	Spherical bearing mounting plate	8	
5	407N01001	自锁螺母M5	Self-locking nut M5	6	
6	S05218	内六角螺钉M5×22	Hexagon socket head cap screws M5×22	18	
7	41812079	合页固定板	Hinge fixing plate	6	
8	41828611	平垫圈M5	Flat washer M5	18	
9	407N01001	自锁螺母M5	Self-locking nut M5	18	
10	41831213	合页5寸	Hinge 5 inch	6	
11	418S17211	沉头螺钉M5×6	Countersunk head screw M5×6	48	
12	S05124	螺栓M5×16	Bolt M5×16	6	
13	418S20601	轴位螺钉M8	Axle screw M8	8	
14	41824602	关节轴承M14左旋	Spherical bearing M14 left-handed	4	
15	418S16605	螺母M14左旋	Nut M14 left-handed	4	
16	41802603	支撑杆	Support rod	4	
17	418S16604	螺母M14右旋	Nut M14 right-handed	4	
18	41824601	关节轴承M14右旋	Spherical bearing M14 right hand	4	
19	417S30036	螺栓(带垫圈)M5×12	Bolt (with washer) M5×12	8	
20	41832621	辅助台面(右)	Auxiliary countertop (right)	1	
21	41811601	内六角螺栓M5防尘盖	Hexagon bolt M5 dust cover	28	
22	S05068	螺钉M5×20	Screw M5×20	4	
23	304587	台面拼接板	Countertop splice board	2	41812623
24	407N01001	自锁螺母M5	Self-locking nut M5	4	

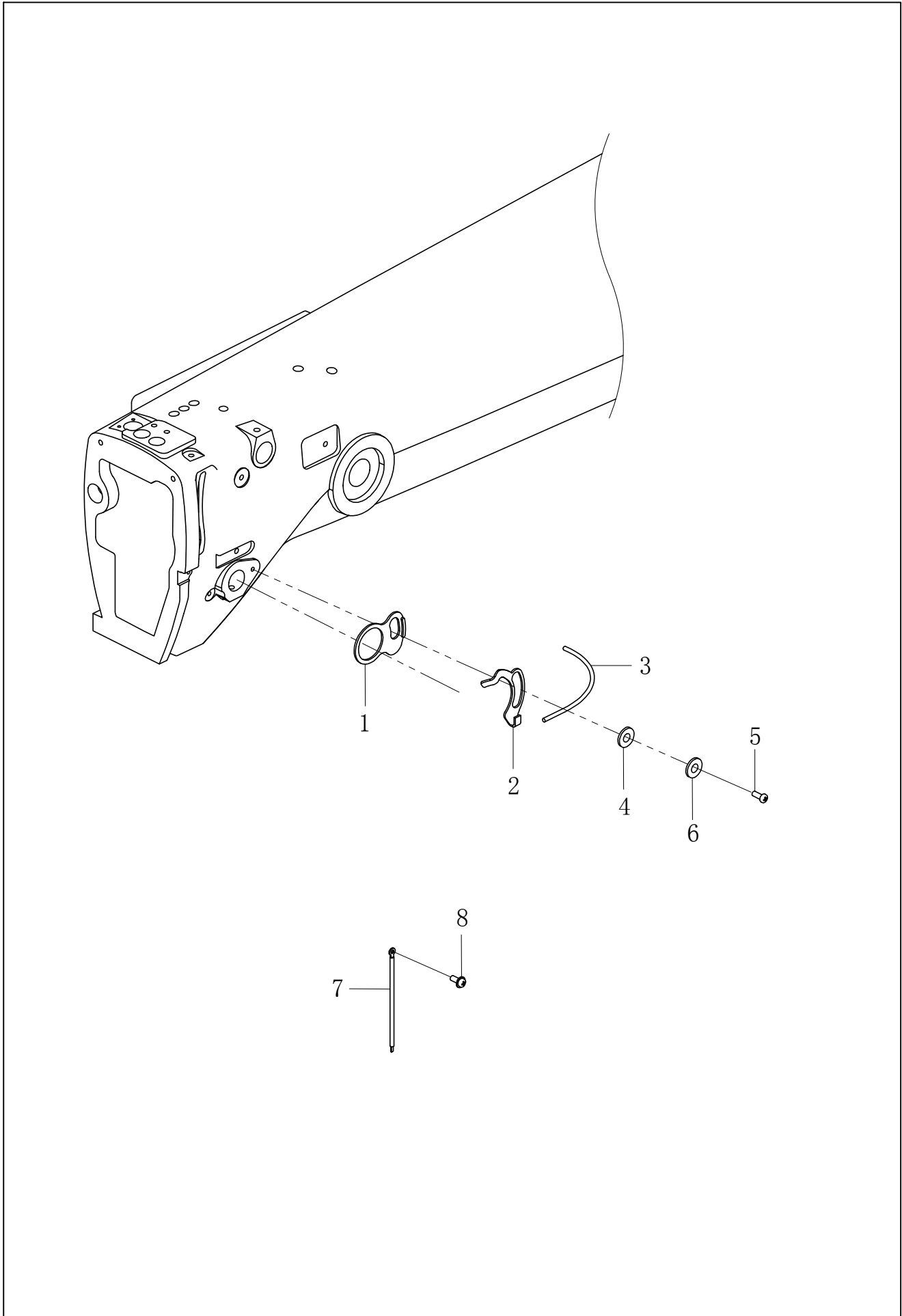
V2、前台面装置 / Front desk mechanism



V2、前台面装置 / Front desk mechanism

序号 No.	件号 Part. No.	零部件名称	NAME OF PARTS	数量 Amt.	备注
1	41832622	前台面左板	Front panel left panel	1	
2	S05068	螺钉M5×20	Screw M5×20	4	
3	41832624	开合台面	Opening and closing table	1	
4	S05068	螺钉M5×20	Screw M5×20	8	
5	41812644	开合台面限位板	Opening and closing table limit plate	1	
6	S05124	螺栓M5×16	Bolt M5×16	2	
7	41831011	合页4寸	Hinge 4 inch	2	
8	41828611	平垫圈M5	Flat washer M5	8	
9	407N01001	自锁螺母M5	Self-locking nut M5	8	
10	41812624	左右板拼接板	Left and right board splice board	1	
11	407N01001	自锁螺母M5	Self-locking nut M5	4	
12	S05068	螺钉M5×20	Screw M5×20	4	
13	42231512	压紧夹具	Compression clamp	2	
14	41828611	平垫圈M5	Flat washer M5	4	
15	407N01001	自锁螺母M5	Self-locking nut M5	4	
16	418S16014	滚花螺纹套M6	Knurled threaded sleeve M6	4	
17	41828612	垫圈	Washer	2	
18	417S30037	螺栓M6×14	Bolt M6×14	4	
19	304575	前台面右支撑板	Front right support plate	1	41812608
20	304574	前台面左支撑板	Front side left support plate	1	41812607
21	417S30036	螺栓(带垫圈)M5×12	Bolt (with washer) M5×12	6	
22	41832623	前台面右板	Front panel right panel	1	
23	S05068	螺钉M5×20	Screw M5×20	10	
24	407N01001	自锁螺母M5	Self-locking nut M5	10	
25	41811601	内六角螺栓M5防尘盖	Hexagon bolt M5 dust cover	43	
26	W01009	垫圈5	Washer	2	

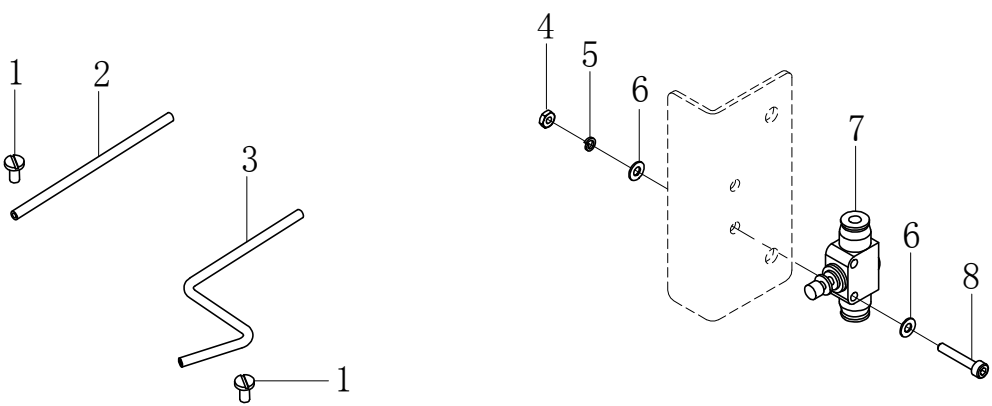
W1、断线感应装置 / Thread breakage detector mechanism



W1、断线感应装置 / Thread breakage detector mechanism

序号 No.	件号 Part. No.	零部件名称	NAME OF PARTS	数量 Amt.	备注
1	41711054	传感器内绝缘片	Insulator in sensor	1	
2	42212837	感应铜片	Induction of copper	1	
3	62800016	导线单芯(0.2mm)	Single core wires (0.2mm)	1	
4	41711053	传感器外绝缘片	Insulator outside sensor	1	
5	S04078	螺钉M4×8	Screw M4×8	1	
6	W01001	M4垫片	M4 gasket	1	
7	62800009	单股导线1mm ²	Single strand wire 1mm ²	1	
8	417S30025	螺栓(带垫圈)M4×10DB	Bolt (with gasket) M4×10DB	1	

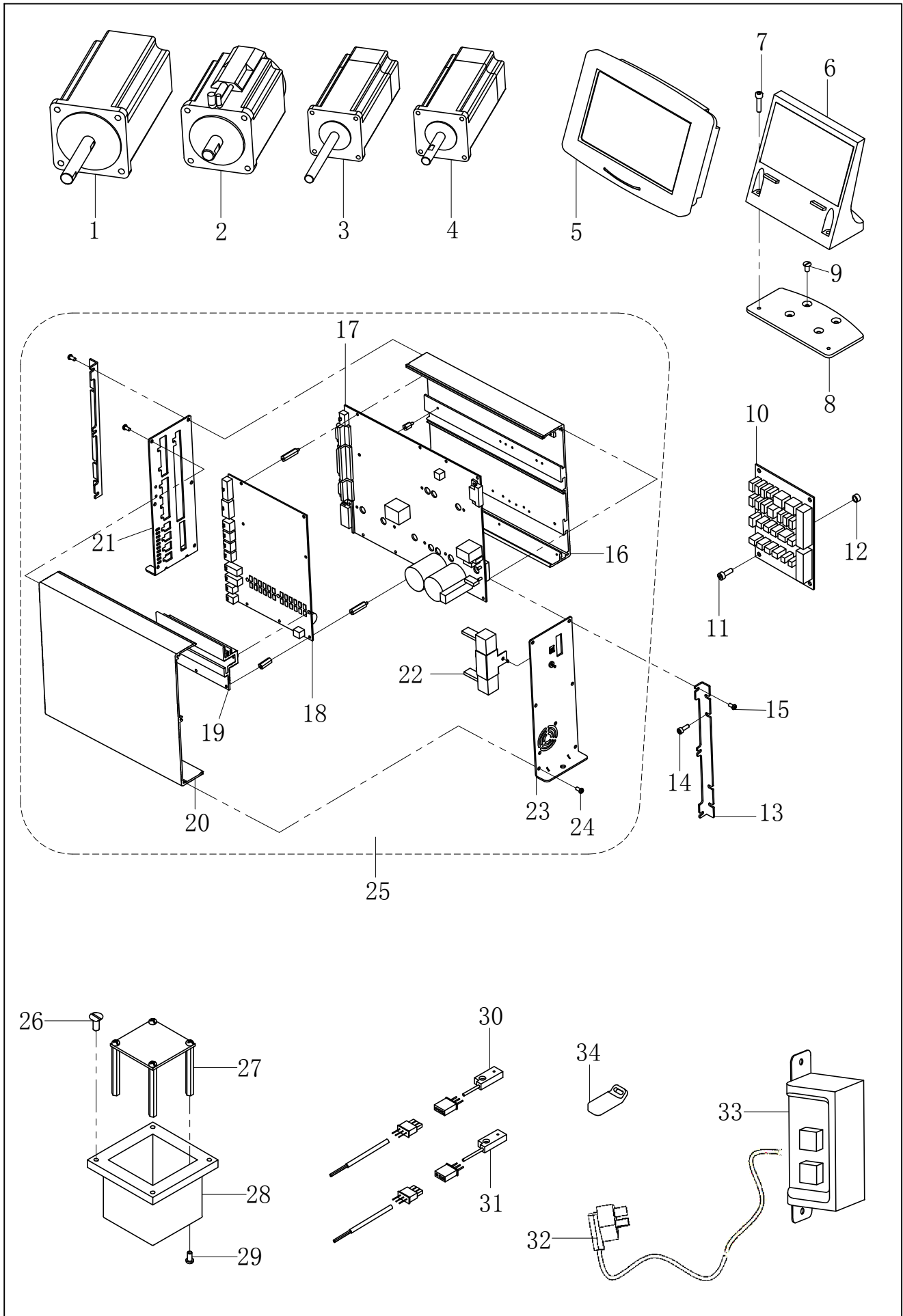
W2、吹气装置 / Blow mechanism



W2、吹气装置 / Lower shaft mechanism

序号 No.	件号 Part.No.	零部件名称	NAME OF PARTS	数量 Amt.	备注
1	417S15008	螺钉M4×8	Screw M4×8	2	
2	41821621	吹气铜管左	Blow copper tube left	1	
3	41821622	吹气铜管右	Blow copper tube right	1	
4	N01013	螺母M3	Nut M3	1	
5	W02025	M3弹性垫片	M3 washer spring	1	
6	W01002	M3垫片	M3 washer	2	
7	41845232	T形接管KJT04	T-pipe coupling	1	
8	S01591	螺钉M3×18	Screw M3×18	1	

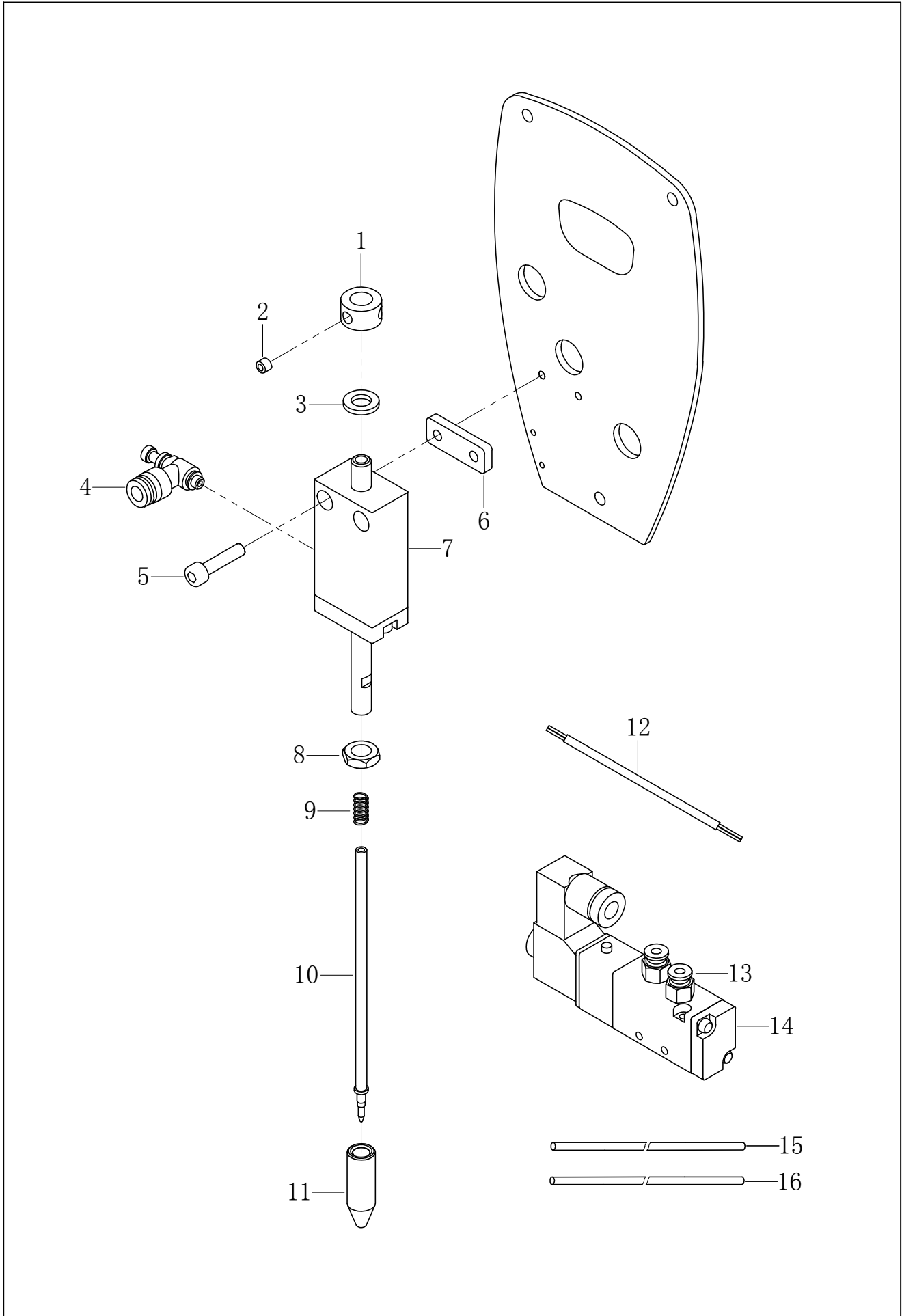
X2、控制箱D装置 / Control box mechanism



X2、控制箱D装置 / Control box mechanism

序号 No.	件号 Part. No.	零部件名称	NAME OF PARTS	数量 Amt.	备注
1	41830619	Y步进电机(大豪)	Y stepper motor (Dahao)	1	
2	41830617	主轴电机(大豪)	Spindle motor (Dahao)	1	
3	41830620	中压脚步进电机(大豪)	Medium pressure foot stepper motor (Dahao)	1	
4	41830618	X步进电机(大豪)	X stepper motor (Dahao)	1	
5	41830616	显示屏(大豪)	Display (Dahao)	1	
6	41811607	显示屏安装座	Display mount	1	
7	S05218	螺钉M5×22	Screw M5×22	2	
8	41812179	大豪显示屏安装板	Dahao display installation board	1	
9	421S17009	螺钉M5×10	Screw M5×10	4	
10	41830651	接口板	Interface board	1	
11	421S13052	螺钉(带垫)M4×18	Screw (with pad) M4×18	4	
12	42211508	接口板垫圈	Interface board washer	4	
13	41812611	大豪电控安装板	Dahao electronic control panel	2	
14	417S30025	螺栓(带垫圈)M4×10DB	Bolt (with washer) M4×10DB	4	
15	417S30302	螺栓(带垫圈)M4×12	Bolt (with washer) M4×12	6	
16	41842631	基板	Substrate	1	
17	41830652	主板	Motherboard	1	
18	41830653	驱动板	Driver board	1	
19	41830654	异性散热器	Heterogeneous radiator	1	
20	41842632	盖	Cover	1	
21	41842633	后板	Back plate	1	
22	41830655	启动电阻	Starting resistor	1	
23	41842634	前板	Foreboard	1	
24	417S30025	螺栓(带垫圈)M4×10DB	Bolt (with washer) M4×10DB	12	
25	41830615	大豪电控	Dahao Electronic Control	1	
26	S02039	螺钉M4×9(镀镍)	Screw M4×9 (nickel plated)	2	
27	41830622	RFID射频模块H30(大豪)	Radio frequency module H30	1	
28	4181121800	射频模块安装壳组件	RF module mounting shell assembly	1	
29	S04082	螺钉M3×6(镀镍)	Screw M3×6 (nickel plated)	4	
30	41730851	X传感器	X sensor	1	
31	41730851	Y传感器	Y sensor	1	
32	42230512	主电源开关线(6M)	Main power switch line (6M)	1	
33	41830213	押扣开关	Seizure switch	1	
34	40330056	大豪加密狗	Programm-DAHAO	1	

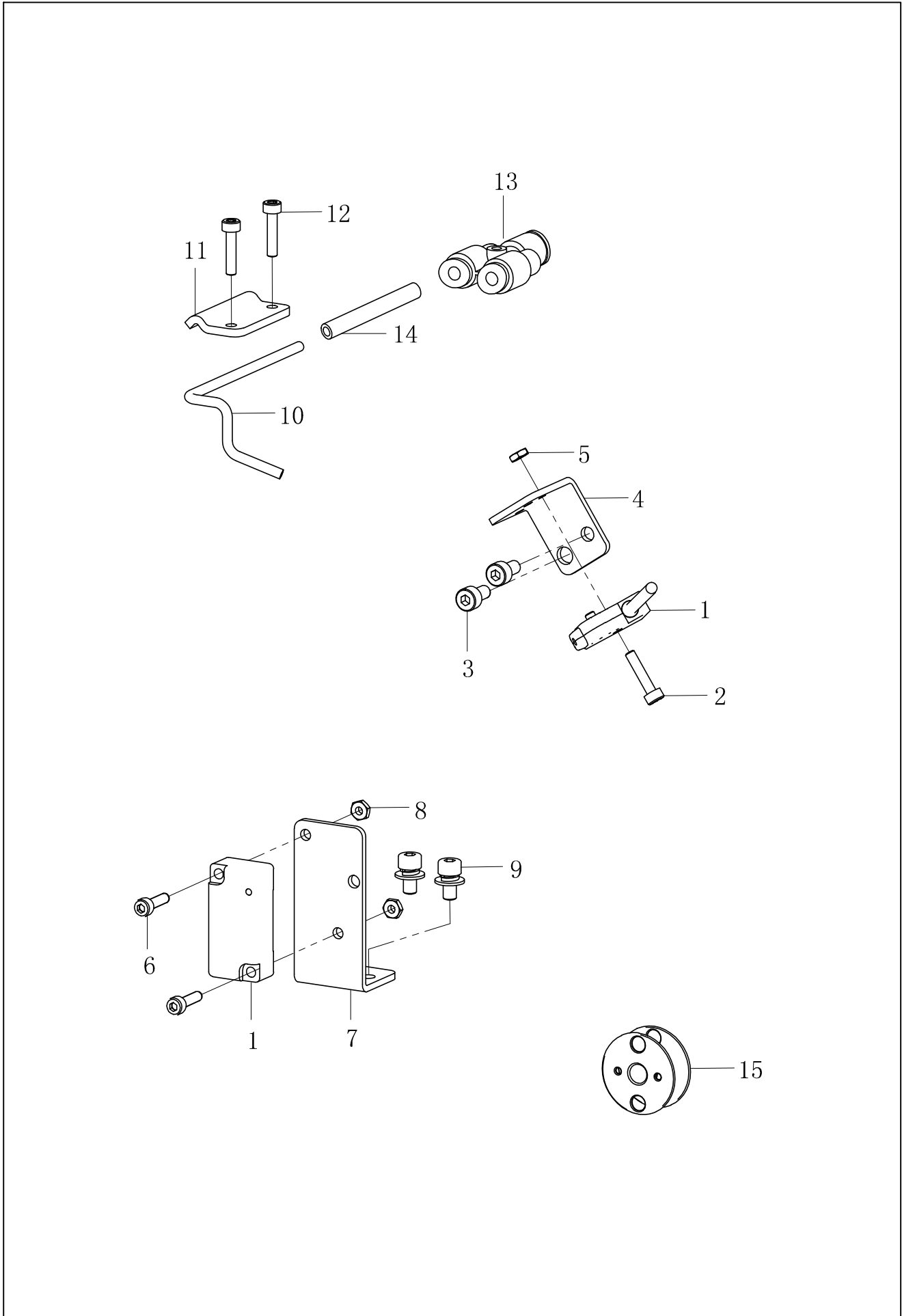
X3、点笔装置 / Point pen mechanism



X3、点笔装置 / Point pen mechanism

序号 No.	件号 Part. No.	零部件名称	NAME OF PARTS	数量 Amt.	备注
1	41708002	紧圈B	Tight circle B	1	
2	S10019	螺钉M6×6	Screw M6×6	2	
3	41722020	电磁铁缓冲垫圈	Electromagnet buffer washer	1	
4	41845231	接头ASL4-M5	Connector ASL4-M5	2	
5	S05119	螺栓M4×20	Bolt M4×20	2	
6	41809304	气缸垫块	Cylinder block	1	
7	41830304	气缸CMDD16×25	Cylinder CMDD16×25	1	
8	N02030	螺母M8×1	Nut M8×1	1	
9	41827302	点笔弹簧	Point pen Spring	1	
10	41811302	点笔笔芯	Point pen Refill	1	
11	418S16304	点笔杆锁帽	Point pen lock cap	1	
12	41730022	电磁阀接线	Solenoid valve wiring	1	
13	41845222	螺纹直通APC4-01	Screw thread straight through APC4-01	2	
14	41845212	电磁阀4V110-06-B	The electromagnetic valve 4V110-06-B	1	
15	41845224	气管φ4×2.5黑色	Windpipe φ4×2.5 Black	3	
16	41845223	气管φ4×2.5透明蓝	Windpipe φ4×2.5 Clear Blue	3	

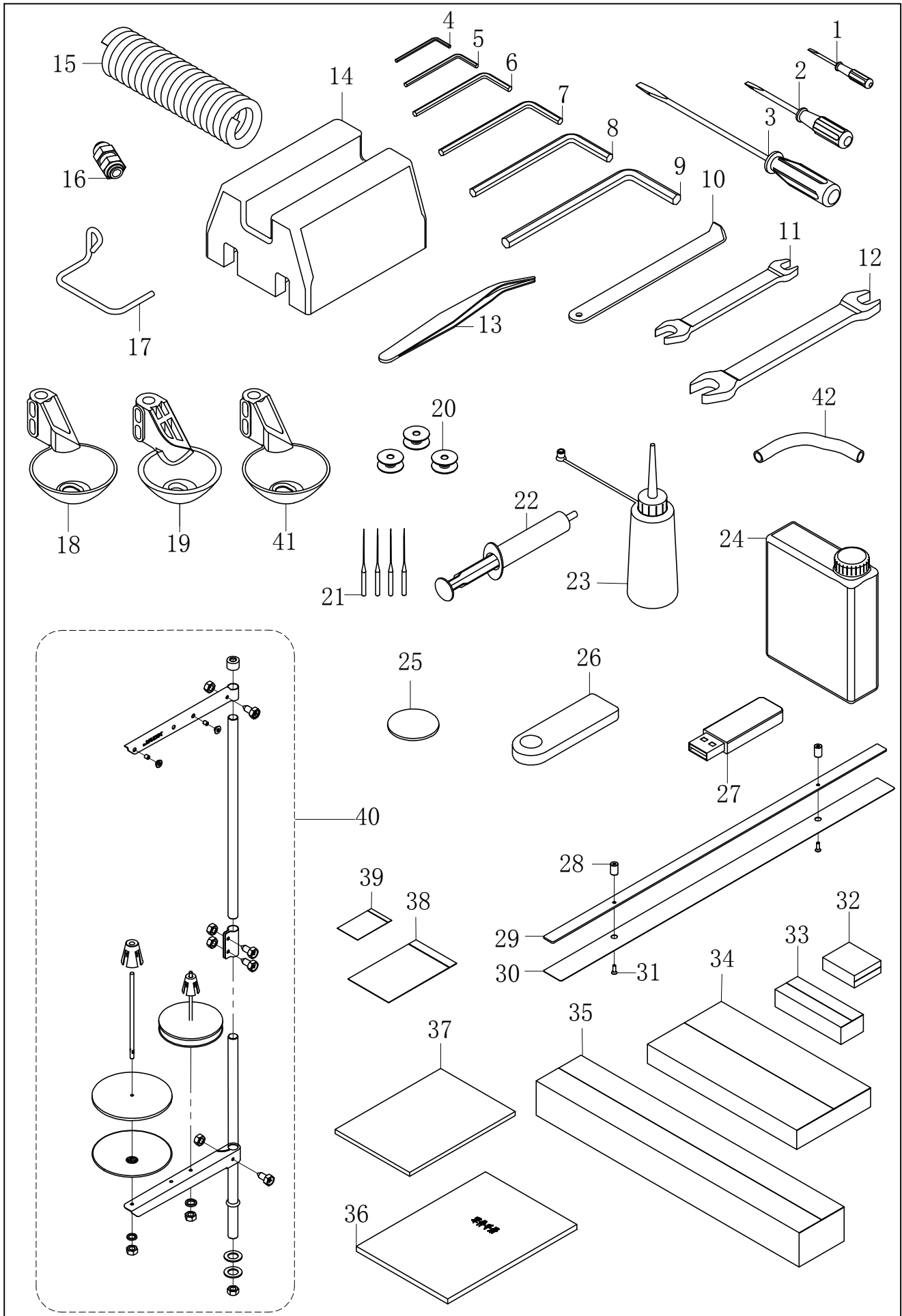
X4、底线检测装置 / Bottom line detection mechanism



X4、底线检测装置 / Bottom line detection mechanism

序号 No.	件号 Part. No.	零部件名称	NAME OF PARTS	数量 Amt.	备注
1	14183000400	底线检测传感器	Sensor of bottom line detection	1	
2	413S14012	内六角圆柱头螺钉	Hexagon socket head cap screw	1	
3	421S13012	螺钉M4×10(带垫)	Screw M4×10(with pad)	2	
4	41812693	传感器支架B	Support of sensor	10	
5	N01013	六角螺母M3	Hex nut M3	1	
6	413S14012	内六角圆柱头螺钉	Hexagon socket head cap screw	2	
7	41812692	控制器支架	Sopport of controller	1	
8	N01013	六角螺母M3	Hex nut M3	2	
9	421S13012	螺钉M4×10(带垫)	Screw M4×10(with pad)	2	
10	41821631	铜管E	copper tube E	1	
11	41812170	吹气铜管压板	Pressure plate of blow copper tube	1	
12	413S14012	内六角圆柱头螺钉	Hexagon socket head cap screw	2	
13	40736036	气管接头APY4(Y型三通)	Gas-type fitting	1	
14	41845224	气管Φ4×2.5黑色	Windpipe Φ4×2.5 Black	0.1	
15	41818621	两倍梭芯A	Double bobbin A	5	
15	141818009	底线检测1.3倍梭芯	1.3 bobbin of Bottom line detection	5	

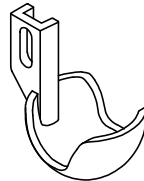
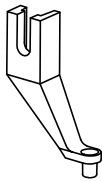
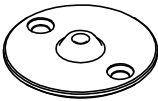
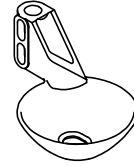
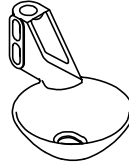
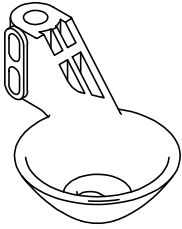
Z、附件 / Accessories



Z、附件(T) / Accessories (T)

序号 No.	件号 Part. No.	零部件名称	NAME OF PARTS	数量 Amt.	备注
1	10131004	螺丝刀(小)	Screwdriver (Small)	1	
2	10131003	螺丝刀(中)	Screwdriver (Middle)	1	
3	10131002	螺丝刀(大)	Screwdriver (Big)	1	
4	30131007	内六角扳手(1.5mm)	Inner hexagon wrench (1.5mm)	1	
5	20131046	内六角扳手(2mm)	Inner hexagon wrench (2mm)	1	
6	30131010	内六角扳手(2.5mm)	Inner hexagon wrench (2.5mm)	1	
7	30131012	内六角扳手(3mm)	Inner hexagon wrench (3mm)	1	
8	20131047	内六角扳手(4mm)	Inner hexagon wrench (4mm)	1	
9	20131056	内六角扳手(5mm)	Inner hexagon wrench (5mm)	1	
10	41712355	针板专用螺丝刀	Special screwdriver needle plate	1	
11	30131005	扳手(6mm~7mm)	Wrench (6mm~7mm)	1	
12	30131006	扳手(8mm~10mm)	Wrench (8mm~10mm)	1	
13	20131051	镊子	Tweezers	1	
14	42211812	机头支撑	Head support	1	
15	40730010	螺旋气管	Spiral windpipe	6	
16	40736001	螺纹套管接头	Screw thread casing Connector	1	
17	41712009	护指器	Finger guard	1	
18	41816211	大压脚B	Big presser foot B	3	
19	41811015	大压脚C	Big presser foot C	3	
20	10818501	梭心605.609大梭心	Bobbin 605.609 Big bobbin	3	
20	13818002	梭芯(1.3倍)	Bobbin (1.3 multiple)	3	(L)
21	42217503	机针DP×5 9#	Needle DP×5 9#	4	
22	11411029	注射器	Syringe	1	
23	11631008	油壶	Oil can	1	
24	1011101200	油箱组件	Oil tank assembly	1	
24	915305	工业白油	Industrial white oil	0.5	
25	41830017	电子标签卡	Electronic tag card	30	
26	42230553	加密狗(星火)	Dongle	1	
26	40330056	大豪加密狗	Dongle-DAHA0	1	
27	42230854	U盘	USB	1	
28	42226812	夹紧销	Clamping pin	30	
29	42212800	塑料托板	Plastic pallet	15	
30	42212820	透明托板	Transparent pallet	3	
31	417S17852	螺钉M5×15	Screw M5×15	30	
32	42231101	操作屏纸箱	Operating screen carton	1	
33	41731015	花样机附件箱B	Pattern machine accessory box B	1	
34	41831615	前台面附件箱C	Front plate accessory box C	1	
35	141831017	X同步带模组附件箱	X synchronization band module box	1	
35	141831018	X模组支撑纸板A	X module cardboard A	2	
35	141831019	X模组支撑纸板B	X module cardboard B	2	
35	141831020	X模组支撑纸板C	X module cardboard C	1	
36	41831621	零件样本90C	Part sample 90C	1	
37	41831622	电控使用说明书V2CP	Electronic control manual V2CP	1	
37	41831623	电控使用说明书(大豪)	Electronic control manual (DAHA0)	1	
38	20131077	20×15袋	20×15 bag	2	
39	20131076	15×9袋	15×9 bag	5	
40	1013100700	线架组件	Thread frame assembly	1	
41	41816031	大压脚D	Big Presser Foot D	1	
42	12921006	维尼龙油管(φ6×φ8)	Vynylon tubing (φ6×φ8)	0.5	
51	42131008	干燥剂(100克)	Desiccant	2	
52	417S30025	螺栓(带垫圈)M4×10DB	Bolt (with washer) M4×10DB	3	

Y、工模具一览表 / Gauge parts list



Y、工模具一览表 / Gauge parts list

序号 No.	件号 Part.No.	零部件名称	NAME OF PARTS	数量 Amt.	备注
1	41816031	大压脚D	Big Presser Foot D	1	
2	41816211	大压脚B	Big Presser Foot B	1	
3	41811015	大压脚C	Big Presser Foot C	1	
4	41816611	大压脚E	Big Presser Foot E	1	
11	41815011	针孔板 ϕ 1.8T2.0	Pinhole of plate ϕ 1.8T2.0	1	
12	41815022	针孔板 ϕ 1.8T2.5	Pinhole of plate ϕ 1.8T2.5	1	
13	41815012	针孔板 ϕ 1.6T1.6	Pinhole of plate ϕ 1.6T1.6	1	
14	41815013	针孔板 ϕ 2.0T1.6	Pinhole of plate ϕ 2.0T1.6	1	
15	41815612	针孔板2.0T2.0	Pinhole of plate ϕ 2.0T2.0	1	
16	41815613	针孔板2.0T2.5	Pinhole of plate ϕ 2.0T2.5	1	
17	41815614	针孔板2.5T1.5	Pinhole of plate ϕ 2.5T1.5	1	
18	41815615	针孔板3.0T1.5	Pinhole of plate ϕ 3.0T1.5	1	
19	42215502	针孔板 ϕ 1.8T1.3	Pinhole of plate ϕ 1.8T1.3	1	
31	42216505	中压脚	Middle Presser Foot	1	
32	41816022	中压脚2.0(防漏绒)	Presser Foot 2.0 (preventing down leakage)	1	
33	141816001	绉棉压脚	Presser Foot for quilting	1	

杰克缝纫机
全球销量遥遥领先
Leading in global sales

400-8876-858
www.chinajack.com



JACK SEWING MACHINE CO.,LTD.

2019年3月份 Edition: March 2019

杰克缝纫机股份有限公司

浙江省台州市椒江区机场南路15号

电话 :0086-576-88177788 88177789

传真 :0086-576-88177758

产品标准代号 : Q/TK 007-2017

资料如有更改, 恕不另行通知, 以实样为准

JACK SEWING MACHINE CO.,LTD.

No. 15 Airport South Road, Jiaojiang District, Taizhou, Zhejiang, PRC

TEL: 0086-576-88177782 88177767 E-mail: sales@chinajack.com

FAX: 0086-576-88177787 www.chinajack.com

Standard code of the products:Q/TK 007-2017

You will be not informed if the file has been revised. Please set sample as standard.