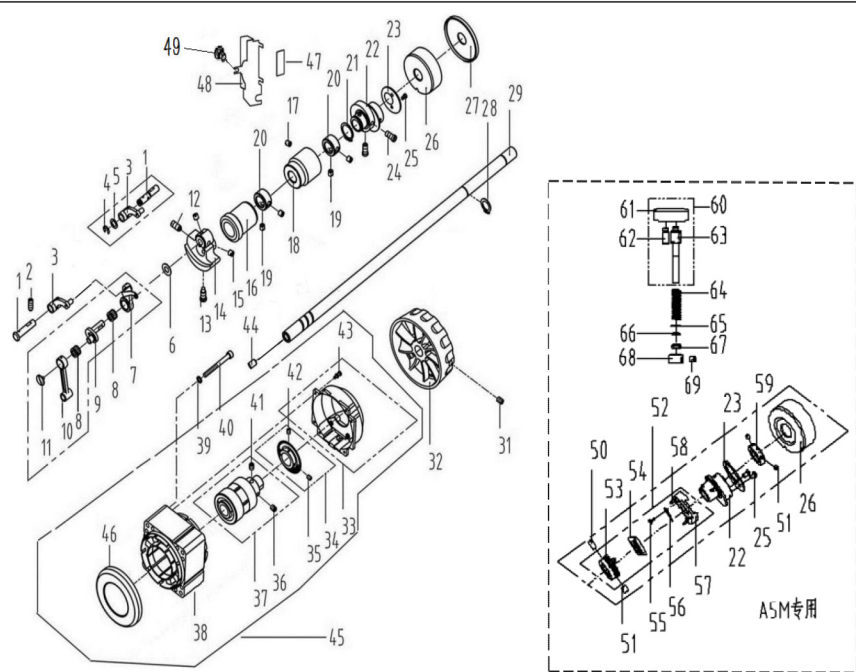


1. 机壳、外装分组件/Machine Frame & Miscellaneous Cover Components

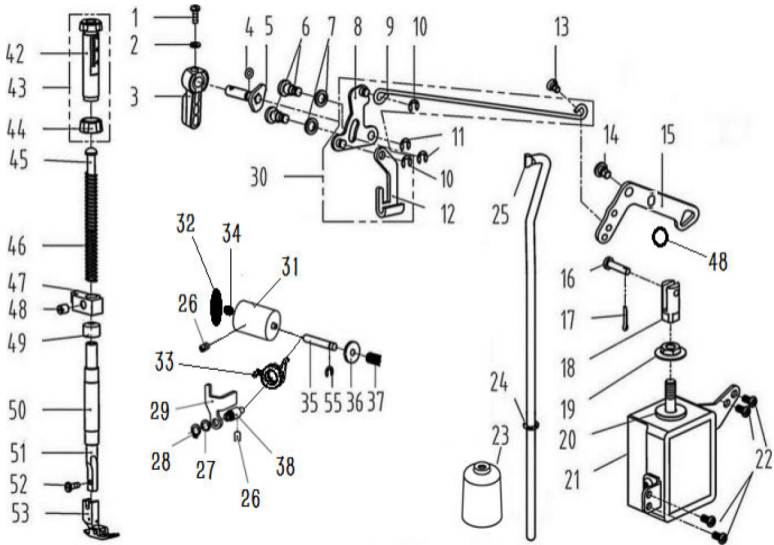
序号 NO.	公司件号 Part NO.	名称 PartName	零件描述 Description	数量 Number
1	101S11001	后窗板螺钉SM3/16"×28 L=9	Screw SM3/16"×28 L=9	14
2	10122003	面板调节孔螺塞	Rubber plug	2
3	13837002	商标牌	Head card	1
4	302591	面板(喷漆)	Face plate asm	1
5	13813005	左线钩	Thread guide left	1
6	101S11007	右线钩螺钉SM11/64"×40 L=6	Screw SM11/64"×40 L=6	1
7	13822006	面板垫	Face plate gasket	1
8	101S11027	防油板螺钉SM1/8"×44 L=3.4	Screw SM1/8"×44 L=3.4	1
9	10412007	面部防油板	Face oil shield asm.	1
	11412082	面部防油板(厚料)	Face oil shield asm.(H)	1
11	10122013	针杆上衬套孔塞	Rubber plug	1
12	10122005	挑线连杆销螺塞	Rubber plug	1
13	10122004	针杆曲柄螺塞	Rubber plug	1
14	101S11004	挑线杆护罩螺钉SM3/16"×28 L=7	Screw SM3/16"×28 L=7	3
15	13812018	挑线杆防护罩	Thread take-up lever cover	1
16	101S11004	挑线杆护罩螺钉SM3/16"×28 L=7	Screw SM3/16"×28 L=7	1
17	13512004	三线线勾	3-hole thread guide	1
18	10122005	挑线连杆销螺塞	Rubber plug	1
19	114S11015	割线刀螺钉SM9/64"×40 L=6	Screw SM9/64"×40 L=6	2
20	11419001	割线刀	Knife	1
21	21022007	油塞	Rubber plug	1
22	13822001	操作屏孔塞	Rubber plug	2
23	13822007	后窗板垫	Side plate gasket	1
24	302592	后窗板(喷漆)	Side plate	1
25	114130006	无线通信模块(A5+)	RF wireless data communication module	1
	11413001900	一体机电控罩壳(鲍麦克斯)	Electronic control box PowerMax	1
	11413303300	一体机电控罩壳(鲍麦克斯)(A5+)	Electronic control box PowerMax(A5+)	1
27	W01009	GB/T97.1-1985垫圈 5	Washer 5	2
28	114S13001	直驱电机螺钉M5×20	Screw M5×20	3
29	114S30001	螺栓(内六角)M5×25	Screw M5×25	1
	14133002	一体机电控组件(鲍麦克斯)	Electronic control box PowerMax	1
30	13833080	一体机电控组件(琦星)	Electronic control box QiXing	1
	11463000500	一体机电控组件(鲍麦克斯)(A5+)	Electronic control box PowerMax(A5+)	1
31	10122006	送料调节器孔塞	Rubber plug	1
32	10122007	下轴工艺孔塞	Rubber plug	1
33	138S05001	操作面板螺钉	Screw	2
	14133001	一体机电控面板组件(鲍麦克斯)	Control panel PowerMax	1
34	114130003	一体机电控面板组件(琦星)	Control panel QiXing	1
	11413002500	一体机电控面板组件(琦星)(A5M-Q)	Control panel QiXing (A5M-Q)	1
	114133002	一体机电控面板组件(鲍麦克斯)(A5+)	Control panel PowerMax(A5+)	1
35	140S12001	底板支柱	Machine head stud	2
36	13822002	装饰条	Decorative article	1
37	113833074	二维码标签纸(A5+)	Label paper(A5+)	1
38	1411300400	小夹线器组件	Thread tension asm.	1
39	141S16019	小夹线器螺母	Thread tension nut	1
40	11227001	小夹线器弹簧	Thread tension spring	1
41	14112017	小夹线板	Thread tension disk	2
42	13810008	小夹线器螺柱	Thread tension post	1
43	138S08006	小夹线器固定螺钉SM3/16"×28 L=7	Screw SM3/16"×28 L=7	1
44	13812066	过线板	Thread tension guide plate	1
45	14122001	橡皮塞(四孔)	Rubber plug	1
46	10113004	右线钩	Thread guide right	1
47	101S11007	右线钩螺钉SM11/64"×40 L=6	Screw SM11/64"×40 L=6	1
48	101S15010	左销螺钉SM15/64"×28 L=10.5	Screw SM15/64"×28 L=10.5	1
49	11326012	松线钉	Tension release pin	1
50	10122014	挑线簧调节座O型圈	Rubber ring	1
51	101S15005	夹线紧固螺钉SM9/64"×40 L=5.5	Screw SM9/64"×40 L=5.5	1
52	10127001	挑线簧	Thread take-up spring	1
	10127031	挑线簧(厚料)	Thread take-up spring(H)	1
53	10103011	挑线簧调节座	Thread tension base	1
54	14112015	夹线板	Thread tension disk	2
55	14112016	松线板	Disk stopper	1
56	141S30001	夹线螺钉	Thread tension post	1
57	10127002	夹线弹簧	Thread tension spring A	1
	11427050	夹线弹簧(厚料)	Thread tension spring A (H)	1
58	10112007	夹线制动板	Thread disk rotating stopper	1
59	141S16013	夹线螺母	Thread tension nut	1
60	1411300300	夹线器组件	Thread tension asm.	1
	1411300500	夹线器组件(厚)	Thread tension asm.(H)	1
61	1383002700	电子夹线器组件	Nest less e- device	1
62	207S14007	凹端紧定螺钉M4X6	Screw M4X6	1
63	11413011	固定式缓线钩	Thread guide	1
64	401S16001	螺母SM9/64"×40	Nut SM9/64"×40	1
65	138S11002	卷边器座螺钉SM11/64"×40 L=5.5	Screw SM11/64"×40 L=5.5	1
66	13812019	卷边器座	Ruler stop seat	1
67	104S17002	针板螺钉(进口) SM11/64"×40	Screw SM11/64"×40	2
	13815011	针板	Needle plate	1
	11315001	针板(厚料)	Needle plate(H)	1
69	10115002	推板	Slide plate	1
70	10127009	推板簧	Slide plate spring	1
71	101S11019	推板簧螺钉SM3/32"×56 L=2	Screw SM3/32"×56 L=2	2
72	13812109	侧盖固定板	Fixed plate	1
73	H05018	卡簧3.5×1	Circlip 3.5×1	1
74	S04010	螺钉M4×5.5	Screw/M4×5.5	1
75	19S244003	U型线夹(A5+)	U clip(A5+)	1
76	12922015	橡皮塞	Rubber plug	1
77	13826009	罩壳台阶销	Pin	1
78	14011009	一体机电控后侧盖(鲍麦克斯)	Side cover	1
79	138S30007	侧盖螺钉	Screw	1



2. 上轴挑线分组件/Main Shaft & Thread Take-up Components

序号 NO.	公司件号 Part NO.	名称 PartName	零件描述 Description	数量 Number
1	10126001	挑线连杆销(厚料)	Thread take-up connecting rod pin(H)	1
	10126001	挑线连杆销	Thread take-up connecting rod pin	1
2	101S15001	上轮螺钉 SM15/64"x28 L=15	Screw SM15/64"x28 L=15	1
3	11305010	挑线连杆	Thread take-up connecting rod	1
	10105001	挑线连杆(厚料)	Thread take-up connecting rod(H)	1
4	H05013	GB/T896-1986挡圈	Snap ring	1
5	11328010	垫片	washer	1
6	10112003	针杆曲柄护板	Needle bar crank protecting plate	1
7	1013800100	挑线杆分组件	Thread take-up lever asm.	1
	1133800200	挑线杆组件(厚料)	Thread take-up lever asm.(H)	1
8	10124001	挑线杆滚针轴承	Needle bearing	2
	1011000100	挑线曲柄分部件	Thread take-up crank	1
	1011000400	挑线曲柄分部件(厚料)	Thread take-up crank(H)	1
	11310010	挑线曲柄分部件(ASM)	Thread take-up crank(ASM)	1
10	10105002	针杆连杆	Needle bar connecting rod	1
11	101S17001	挑线曲柄螺钉(左旋)	Screw	1
12	101S15004	针杆曲柄紧固螺钉 SM9/32"x28 L=16	Screw SM9/32"x28 L=16	1
13	101S11003	针杆曲柄定位螺钉SM9/32"x28 L=16	Screw SM9/32"x28 L=16	1
14	10404001	针杆曲柄	Needle bar crank	1
	11404035	针杆曲柄(厚料)	Needle bar crank(H)	1
15	101S15002	送料轴挡圈螺钉SM1/4"x40 L=6	Screw SM1/4"x40 L=6	2
16	1140300200	上轴前轴套组件	Main shaft bushing front	1
17	101S15006	夹线器螺钉SM15/64"x28 L=7	Screw SM15/64"x28 L=7	1
18	12203002	主轴中轴套	Main shaft bushing mid	1
19	101S14001	上轴中套挡圈螺钉	Screw	4
20	10108001	上轴挡圈	Main shaft thrust collar	2
21	H03002	挡圈20	Snap ring 20	1
	400092	送料偏心轮	Feed eccentric cam	1
	400006	送料偏心轮(厚料)	Feed eccentric cam(H)	1
	114610004	送料偏心轮(ASM)	Feed eccentric cam(ASM)	1
23	10112017	送料偏心轮盖板	Cover plate	1
	114612002	偏心轮盖板(ASM)	Cover plate(ASM)	1
24	101S11013	送料偏心轮螺钉 SM1/4"x40 L=13	Screw SM1/4"x40 L=13	2
25	113S11003	护针片螺钉 SM9/64"x40 L=5	Screw SM9/64"x40 L=5	2
26	13803002	上轴后轴套	The rear axle sleeve	1
	113803009	上轴后轴套(ASM)	The rear axle sleeve(ASM)	1
27	10122105	上轴后套挡油油封	Oil seal	1
28	H03001	GB/T894.1-1986挡圈15	Snap ring 15	1
	13802060	上轴	Main shaft	1
29	113802013	上轴(ASM)	Main shaft(ASM)	1
31	S10009	螺钉	Screw	2
32	302830	手轮(喷漆)	Handwheel	1
	114635001	手轮(ASM)	Handwheel(ASM)	1
33	95100172	电机罩壳组件(配鲍麦克斯)	Motor cover asm.	1
	95100146	电机罩壳组件(配琦星)	Motor cover asm.	1
34	95100116	电机光栅组件(配鲍麦克斯)	Motor grating sensor asm	1
	95100117	电机光栅组件(配琦星)	Motor grating sensor asm	1
35	GB/T77-2000	内六角平端紧定螺钉M3x4	Screw M3x4	1
36	GB/T77-2000	内六角平端紧定螺钉M6x6	Screw M6x6	1
37	95100182	电机转子总成(配鲍麦克斯)	Motor rotor	1
	95100131	电机转子总成(配琦星)	Motor rotor	1
38	95100171	电机定子总成(配鲍麦克斯)	Motor stator	1
	95100145	电机定子总成(配琦星)	Motor stator	1
39	GB/T93-1987	弹簧5	Spring washer 5	4
40	GB/T70.1-2000	内六角圆柱头螺钉M5x50 8.8级	Screw M5x50	4
41	GB/T78-2000	内六角锥端紧定螺钉M6x8	Screw M6x8	1
42	GB/T78-2000	内六角锥端紧定螺钉M3x4	Screw M3x4	1
43	GB/T9074.8	一字槽小盘头螺钉组合件M3x8	Screw	6
44	10122012	上轴孔塞	Rubber plug	1
45	113830001	ZB-MA4-25A光电伺服电机(鲍麦)	Motor	1
	13833051	ZB-MA4-25A光电伺服电机(琦星)	Motor	1
46	13811060	电机绝缘防护罩	Motor insulation shield	1
47	14123001	防油罩油棉	Oil cotton	1
48	14112004	防油罩	Oil shield	1
49	141S11002	螺钉	Screw	1
50	207S11018	螺钉M5x10	Screw M5x10	2
51	S10002	内六角凹端紧定螺钉M5x5	screw M5x5	3
52	11461000300	连接套组件	Connecting sleeve asm	1
	114625001	棘轮	Ratcheting	1
54	114609001	棘爪	Pawl	1
	207S20005	开槽圆柱头轴位螺钉	screw	1
56	114627003	弹簧	Spring	1
57	114610003	连接套	Connecting sleeve	1
58	P03047	弹性圆柱销2.5x10	Elastic round pin 2.5x10	3
59	114608003	偏心轮挡圈	Eccentric cam thrust collar	1
60	11461100200	按钮盖组件	Button cap asm	1
	/	按钮盖	Button cap	1
62	114626001	导向销	Guide pin	1
63	114602001	调节轴	Adjusting shaft	1
64	20727004	弹簧	Spring	1
65	20728001	垫片	Washer	1
	O01027	O型圈	O Ring	1
66	20722005	油封	Gasket	1
68	114608002	限位挡圈	Limit collar	1
69	207S14007	螺钉M4x6	Screw M4x6	1

3

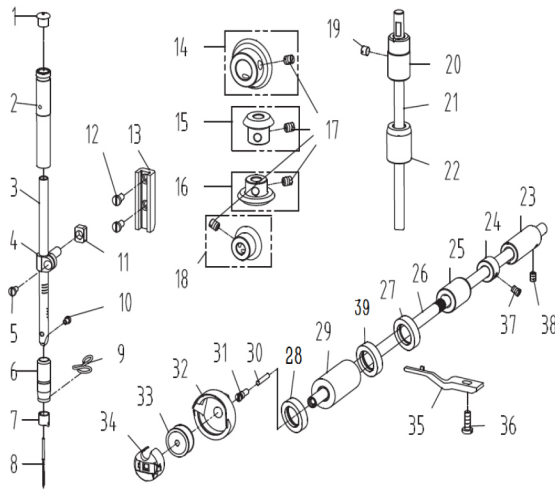


3. 压料、自动抬压脚分组件/Presser Bar , Auto Lifter Components

序号 NO.	公司件号 Part NO.	名称 PartName	零件描述 Description	数量 Number
1	101S11010	压脚扳手螺钉SM9/64"x40 L=11	Screw SM9/64"x40 L=11	1
2	10128002	压脚扳手螺钉垫圈	Washer	1
3	13811029	压脚扳手	Hand lifter	1
4	O01004	O型圈	Rubber ring	1
5	1411000200	压脚扳手凸轮分部件	Hand lifter cam asm.	1
6	101S20001	前杠杆螺纹销	Screw	2
7	10128015	螺纹销橡胶垫圈(厚)	Washer(H)	2
8	1411201100	抬压脚前杠杆分部件	Lift front lever component	1
9	10112013	抬压脚拉杆	Knee lifter pull rod	1
10	H05003	GB/T896-1986挡圈 5	Snap ring	2
11	11329020	挡圈 5	Snap ring	5
12	13712004	压脚升降板	Lifting plate	1

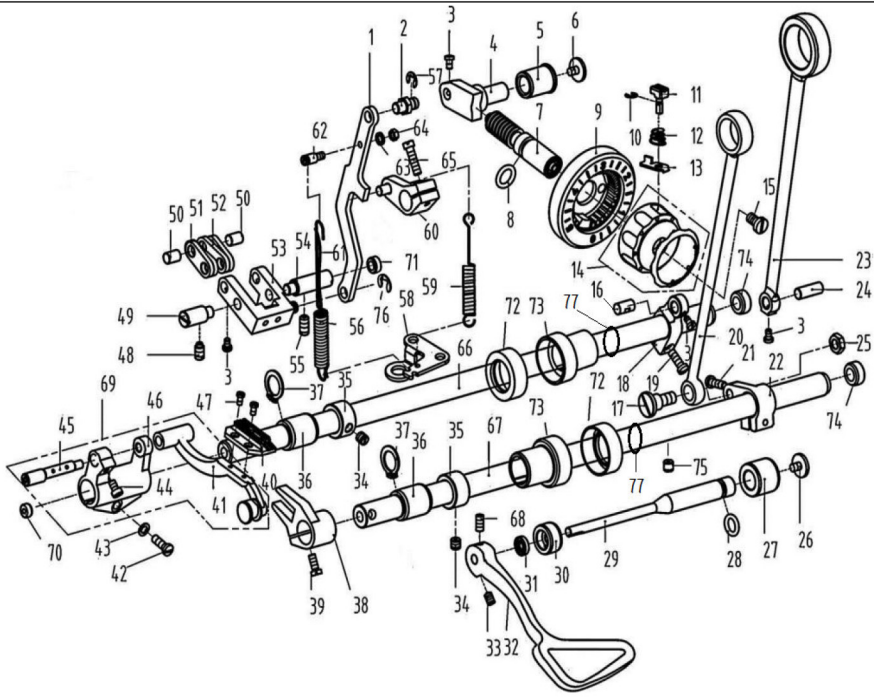
13	101S20004	抬压脚拉杆螺钉SM3/16"x32	Hinge Screw SM3/16"x32	1
14	101S20003	后杠杆轴位螺钉SM15/64"x28	Hinge screw SM15/64"x28	1
15	114112014	抬压脚后杠杆	Knee lifter back lever	1
16	11326005	销子	Pin	1
17	113829001	R形弹性开口销φ1.5	Cotter pin	1
18	11326006	电磁铁接头	Solenoid connector	1
19	113S16004	法兰螺母M8	Flange nuts M8	1
20	11322008	电磁铁上垫片	washer	1
21	1413001300	抬压脚电磁铁组件	Solenoid asm.	1
	11383001300	抬压脚电磁铁组件(厚)	Solenoid asm. (H)	1
22	101S11001	后窗板螺钉SM3/16"×28 L=9	screw SM3/16"×28 L=9	4
23	14022017	抬压脚顶杆密封帽	Seal cap	1
	114122001	顶帽密封盖	Seal cap	1
	30228008	垫圈	Washer	1
24	W01009	平垫圈5	washer	1
25	14012015	抬压脚顶杆	Knee lifter connecting rod	1
26	138S08006	小夹线器固定螺钉SM3/16 " L=7	Screw SM3/16 " L=7	2
27	14128001	松线顶板垫片	Loose top gasket	1
28	H03054	GB/T894.1-1986挡圈6	Snap ring 6	1
29	14101017	松线顶板	Wire release plate	1
30	1411200300	抬压脚前杠杆组件	Knee lifter lever asm	1
31	11413001800	松线电磁铁组件	Solenoid	1
32	114122006	松线油封	Oil seal	1
33	114127002	松线顶板复位簧	Spring	1
34	12922015	橡皮塞	spout plug	1
35	10126003	松线辅钉	Thread release supporting pin	1
36	10128001	松线辅钉垫片	washer	1
37	10127003	松线辅钉弹簧	Spring	1
38	14126008	松线顶板连接销	Pin	1
42	1138NS30003	调压螺钉(厚)	Press regulating screw (H)	1
	13811027	调压螺钉	Press regulating screw	1
43	1381102700	调压螺钉组件	Presser regulating screw nut asm.	1

44	13811028	调压螺母	Press regulating nut	1
	1138NS16005	调压螺母(厚)	Press regulating nut (H)	1
45	10102003	调压导杆	Press regulating guide bar	1
46	11427033	调压簧	Press regulating spring	1
	113827010	调压簧(-H-M)	Press regulating spring (-H-M)	1
	10127024	调压簧 (-H)	Press regulating spring (-H)	1
47	13809030	压杆导架	Presser bar guide bracket	1
48	40128013	平垫圈	washer	1
48	101S15007	压杆导架螺钉 SM1/4"x40 L=8	Screw SM1/4"x40 L=8	1
49	10122112	压杆防油套	Pressure bar oil cover	1
50	113803007	压杆衬套	Presser bar bushing,lower	1
51	113802009	压杆	Presser bar	1
52	101S11009	活压脚螺钉 SM9/64"x40 L=10.5	Screw SM9/64"x40 L=10.5	1
53	1131600600	压脚组件	Presser foot asm	1
	1131600300	压脚组件 (厚)	Presser foot asm(H)	1
	1411600100	带刀压脚组件 (少鸟巢装置专用)	Presser foot asm(For the No Bird's Nest Components)	1
54	1401201000	松线导管上支架组件	Wire release bracket upper asm.	1
55	H05012	挡圈4 (日标)	Snap ring	1



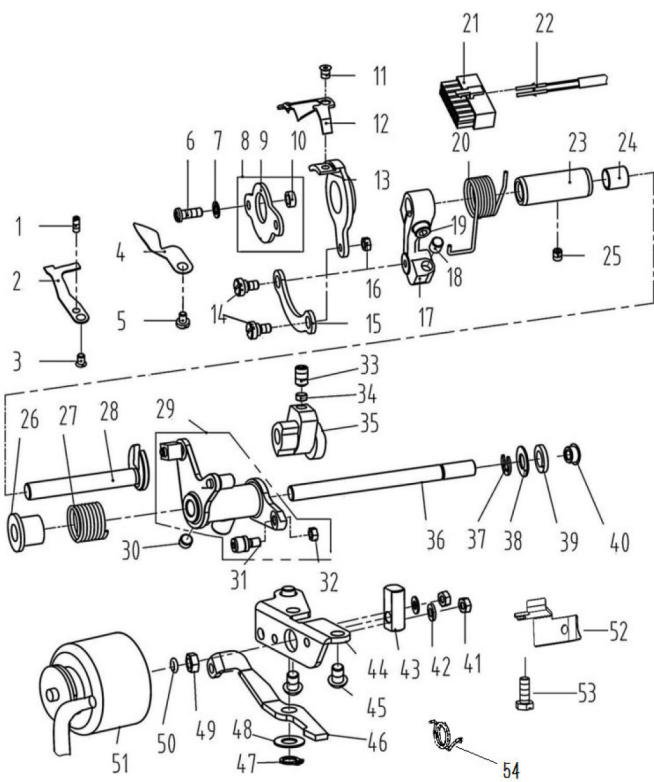
4. 针杆、竖轴、下轴部件/Needle bar,Upright Shaft & Hook Driving Shaft Components

序号 NO.	公司件号 Part NO.	名称 PartName	零件描述 Description	数量 Number
1	10122013	针杆上衬套孔塞	Rubber plug	1
2	10103009	针杆上衬套	Needle bar bushing upper	1
3	11402039	针杆	Needle bar	1
	10102021	针杆(厚料)	Needle bar (H)	1
	11402034	针杆	Needle bar (A4S-W)	1
4	10138002	针杆连接柱	Needle bar connecting rod	1
5	101511005	螺钉 SM9/64"x40 L=6	Screw SM9/64"x40 L=6	1
6	10103010	针杆下衬套	Needle bar bushing lower	1
	11303023	针杆下衬套(厚料)	Needle bar bushing lower(H)	1
7	10113002	针杆线勾	Needle bar thread guide	1
	11412063	针杆线勾(厚料)	Needle bar thread guide(H)	1
8	13817001	机针(定位14#)	Needle	1
	10117002	机针DP×5#21(厚料)	Needle(H)	1
9	10413001	针杆下衬套线勾	Lower bushing thread guide	1
	10113009	针杆下轴套线勾(厚料)	Lower bushing thread guide(H)	1
10	104511006	支针螺钉(进口) SM1/8"x44 L=4.5	Screw SM1/8"x44 L=4.5	1
11	10109001	针杆连接柱滑块	Slide block	1
12	101511008	滑块导轨螺钉SM11/64"x40 L=8	Screw SM11/64"x40 L=8	2
13	10109002	针杆接头滑块导轨	Needle bar guide	1
14	10425004	上轴伞齿轮	Upper shaft bevel gear	1
15	10425003	竖轴上伞齿轮	Upper small bevel gear asm	1
16	10425002	竖轴下伞齿轮	lower large bevel gear asm	1
17	101515014	齿轮螺钉SM1/4"x40 L=7	Screw SM1/4"x40 L=7	8
18	10425001	下轴伞齿轮	Hook drive shaft bevel gear	1
19	113511036	一字槽槽紧定螺钉SM15/64"x28 L=4.7	Screw SM15/64"x28 L=4.7	1
20	10403020	竖轴上轴套	Upright shaft bushing upper	1
21	10102007	竖轴	Upright shaft	1
22	113803004	竖轴下轴套	Upright shaft bushing lower	1
23	10403019	下轴后轴套	Hook driving shaft bushing back	1
24	10108002	下轴挡圈	Hook driving shaft snap ring	1
25	14003004	下轴中套	Lower shaft middle bushing	1
26	11304003	下轴	Hook driving shaft	1
27	11522001	油封组件12	oil seal 12	1
28	1142201600	油封组件	oil seal	1
29	14003001	下轴前轴套组件	Hook driving shaft bushing front	1
30	10123009	下轴喂油芯	Oil wick	1
31	101530005	下轴喂油螺钉	set screw	1
32	11418003	广濑中厚料旋梭(扩大缝纫范围)	Hook asm (Hirose)	1
	11418007	精品旋梭(国产)	Hook asm (China)	1
	11418002	德盛有尾巴厚料旋梭(方德款)	Hook asm (China Desheng) (H)	1
	11418004	广濑厚料旋梭(新)(有尾巴)	Hook asm (Hirose) (H)	1
33	10118003	梭心	Bobbin	1
34	11218504	梭壳	Bobbin case asm.	1
35	10112016	旋梭定位钩	Finger postioner	1
	10112032	旋梭定位钩(厚料)	Finger postioner(H)	1
36	116S11005	牙架曲柄螺钉 SM11/64"x40 L=13	Screw SM11/64"x40 L=13	1
37	101511012	下轴挡圈螺钉 SM11/64"x40 L=4.8	Screw SM11/64"x40 L=4.8	2
38	113S14020	下轴后套螺钉SM11/64"x40 L=6	Screw SM11/64"x40 L=6	1
39	114122004	油封组件	oil seal	1



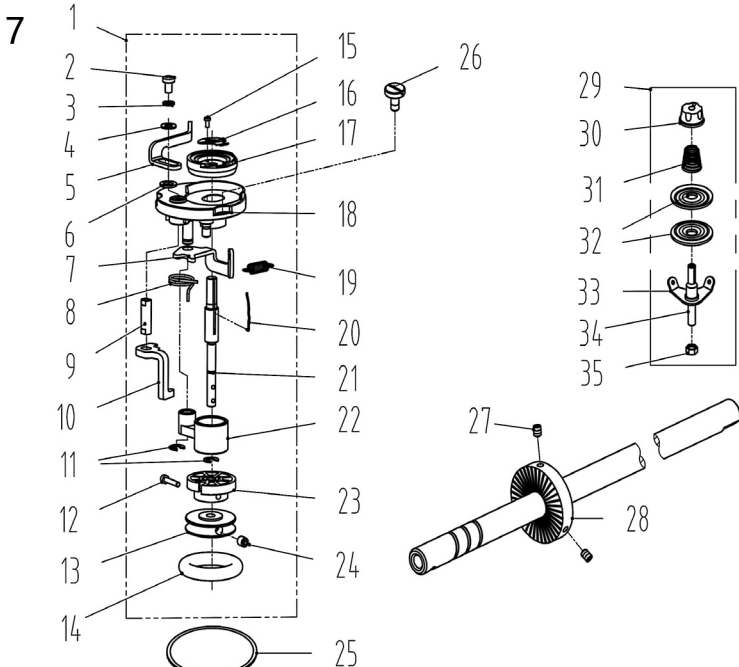
5. 送料分组件/Feed Mechanism Components

序号 NO.	公司件号 Part NO.	名称 PartName	零件描述 Description	数量 Number
1	11405015	倒送料连杆	Reverse feed connecting rod	1
2	11426021	倒送料连杆销	Connecting rod pin	1
3	101S11005	螺钉 SM9/64"x40 L=6	Screw SM9/64"x40 L=6	5
4	11401015	送料调节器	Feed regulator	1
5	11403043	送料调节器轴套	Feed regulator bushing	1
6	101S11023	送料调节器轴端螺钉SM3/16"x28 L=6.5	Screw SM3/16"x28 L=6.5	1
7	13826005	标盘螺柱	Feed regulator stud	1
8	10122016	送料调节螺钉O形圈	Rubber ring	1
9	13811008	固定表盘	Fixing dial plate	1
10	H05018	GB/T896-1986挡圈3.5	Snap ring 3.5	1
11	13811009	标盘按钮	Dial plate button	1
12	13827002	按钮复位簧	Spring	1
13	13812010	上限位片	Upper limit patch	1
14	1381100700	标盘旋钮组件	Knob component	1
15	101S11022	送料距轴螺钉SM3/16"x28 L=18	Screw SM3/16"x28 L=18	1
16	10126011	送料曲柄销	Feed rocker crank pin	1
17	101S20005	抬牙连杆轴位螺钉 SM9/32"x28	hinge Screw SM9/32"x28	1
18	10104002	送料曲柄	Feed rocker shaft crank	1
19	101S11016	送料曲柄螺钉SM3/16"x28 L=14	Screw SM3/16"x28 L=14	1
20	400093	抬牙连杆	Connecting rod	1
21	101S11016	送料曲柄螺钉 SM3/16"x28 L=14	Screw SM3/16"x28 L=14	1
22	10104004	抬牙后曲柄	Feed driving shaft crank	1
23	400091	送料连杆	Rocker shaft connecting rod	1
24	114605001	送料连杆 (A5M)	Rocker shaft connecting rod (A5M)	1
25	101S16003	抬牙连杆轴位螺母 SM9/32"x28	Hinge Screw SM9/32"x28	1
26	101S11023	送料调节器轴端螺钉SM3/16"x28 L=6.5	Screw SM3/16"x28 L=6.5	1
27	13803021	倒送料轴后轴套	Reverse feed shaft bushing back	1
28	13822003	倒送料轴O形圈	Rubber ring	1
29	13802010	倒送料轴	Reverse feed shaft	1
30	13803020	倒送料轴中套	Reverse feed shaft bushing mid	1
31	13822056	倒送料轴中套油封	Mid bushing oil seal	1
32	302665	倒送料轴手 (喷漆)	Reverse feed lever asm	1
33	138S10010	内六角锥端紧定螺钉M5X8	Screw M5X8	1
34	101S15002	送料轴挡圈螺钉SM1/4"x40 L=6	Screw SM1/4"x40 L=6	4
35	10108003	送料轴挡圈	Feed rocker shaft snap ring	2
36	10403015	轴套	Bushing	2
37	H03001	GB/T894.1-1986挡圈 15	Snap ring 15	2
38	10104003	抬牙叉形曲柄	Driving shaft crank	1
39	101S11020	抬牙叉形曲柄螺钉SM11/64"x40 L=10.5	Screw SM11/64"x40 L=10.5	1
40	11414002	送料牙	Feed dog	1
41	11314001	送料牙(兄弟款)	Feed dog(Brother type)(H)	1
42	11380700300	牙架	Feed bar asm.	1
43	101S11016	送料曲柄螺钉SM3/16"x28 L=14	Screw SM3/16"x28 L=14	1
44	10128003	牙架座螺钉垫圈	Washer	1
45	101S11025	复位板螺钉SM11/64"x40 L=7	Screw SM11/64"x40 L=7	1
46	11226001	牙架销	Feed bar pin	1
47	480095	牙架座	Feed bar bed.	1
48	101S11018	送料牙螺钉 SM1/8"x44 L=6	Screw SM1/8"x44 L=6	2
49	101S15010	左销螺钉 SM15/64"x28 L=10.5	Screw SM15/64"x28 L=10.5	1
50	10126009	送料摆动板座左销	Left pin	1
51	10126007	短摆动板连杆销	Connecting pin	2
52	11412022	送料短摆动板	Feed short shaking plate	2
53	13809008	送料长摆动板	Feed long shaking plate	2
54	1400100600	送料摆动板座分部件	Feed shaking plate bed components	1
55	10126010	送料摆动板座右销	Right pin	1
56	113S14010	左销螺钉SM15/64"x28 L=12	Screw SM15/64"x28 L=12	1
57	11427011	送料调节弹簧	Spring	1
58	11329020	开口挡圈5	Snap ring 5	1
59	13812081	拉簧固定板	Fixed plate	1
60	13827006	倒送料拉簧	Reverse feed pull spring	1
61	1140402700	倒送料曲柄组件	Feed reverse crank asm.	1
62	11321005	油管	Tube	1
63	114S30007	弹簧悬置螺钉	Screw	1
64	W02015	GB/T93-1987 弹簧垫圈M4	Spring washer M4	1
65	114S16004	螺母SM11/64"x40	Nut SM11/64"x40	1
66	S01102	螺钉 SM3/16"x28 L=18	Screw SM3/16"x28 L=18	1
67	14002003	送料轴	Feed rocker shaft	1
68	14002002	抬牙轴	Feed driving shaft	1
69	S10035	GB/T80-2000螺钉M5x8	Screw	1
70	400689	牙架组件(成品)	Feed bar asm.	1
71	14022003	送料轴前孔塞	spout plug	1
72	14022015	右销孔塞	spout plug	1
73	1142200800	油封组件22	oil seal	2
74	14003002	送料轴后轴套	axle sleeve	2
75	114022002	橡皮塞15.5	Rubber plug 15.5	2
76	14022008	送料轴油线孔塞	Rubber plug	2
77	11329020	开口挡圈5	Snap ring 5	1
78	114022001	送料轴后轴套密封圈	Rubber ring	2



6. 切线装置部件/Thread Trimmer Components

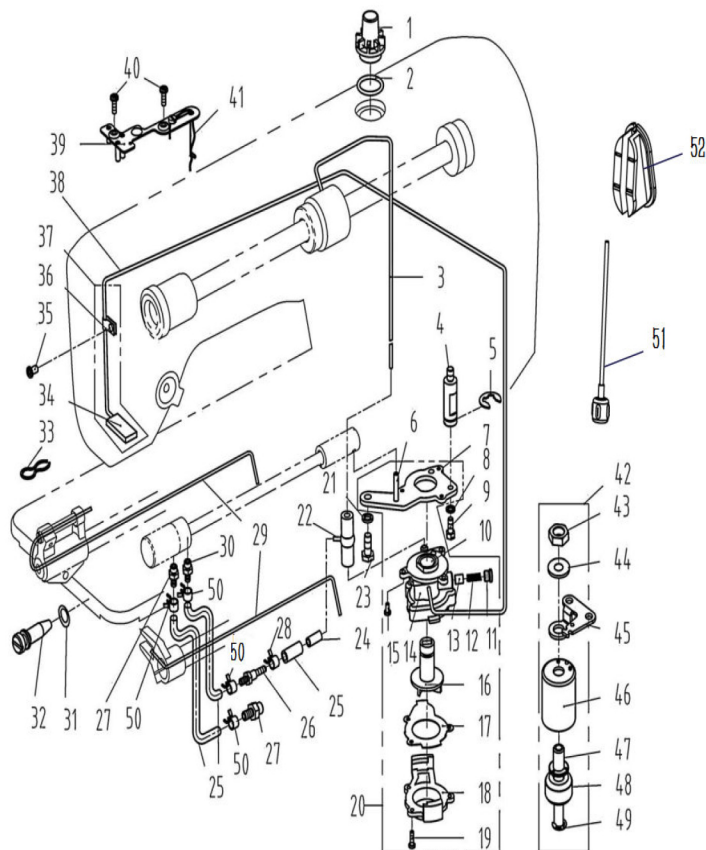
序号 NO.	公司件号 Part NO.	名称 PartName	零件描述 Description	数量 Number
1	113S15002	定力调节螺钉SM11/8"x44 L=9.5	Screw SM11/8"x44 L=9.5	1
2	11319001	定刀	Secant knife	1
3	113S17001	螺钉SM9/64"x40	Screw SM9/64"x40	1
4	11312003	护针片	Needle guard patch	1
5	201S11009	螺钉SM9/64"x40 L=5.5	Screw SM9/64"x40 L=5.5	1
6	113S11001	螺钉SM11/64"x40 L=12	Screw SM11/64"x40 L=12	2
7	10128003	牙架座螺钉垫圈	Washer	2
8	14012004	刀架压板组件	Knife bracket press component	1
9	14012032	偏心连杆	Eccentric connecting rod	1
10	11303012	短套	Short bushing	2
11	113S17002	活动刀固定螺钉SM11/64"x40 L=4.4	Screw SM11/64"x40 L=4.4	2
12	11319002	活动刀(薄料长槽)	Moterial knife	1
13	14019004	活动刀(去鸟巢装置专用:薄料短槽)	Moterial knife(For the No Bird's Nest)	1
14	11307001	剪线刀架	Knife bracket	1
15	113S20001	连杆螺钉SM11/64"x40	hinge Screw SM11/64"x40	2
16	114112013	连杆	Connecting rod	1
17	114S16004	螺母SM11/64"x40	Nut SM11/64"x40	1
18	14004002	切线曲柄	Crank	1
19	11322001	驱动曲柄止动块	Crank driver stopper block	1
20	S05004	螺钉M5x14	Screw M5x14	1
21	11327001	弹簧	Spring	1
22	11230004	14孔接线器	Plug	1
23	11230005	电线插针	Pin	1
24	11303003	切线轴套	Thread cutting shaft bushing	1
25	11503005	驱动曲柄轴衬套	Crank drive shaft bushing	1
26	113S14020	螺钉SM11/64"x40 L=6	Screw SM11/64"x40 L=6	1
27	11322002	扣簧端盖	Spring cover	1
28	11327002	弹簧	Spring	1
29	11304002	切线凸轮曲柄轴	Crank shaft	1
30	1400400100	剪线驱动组件	Thread trimmer drive asm.	1
31	116S14003	针杆曲柄销定位螺钉SM11/4"x40 L=4.5	Screw SM11/4"x40 L=4.5	1
32	11324001	滚柱	Rolling pin	1
33	113S16002	螺母SM11/64"x40	Nut SM11/64"x40	1
34	116S14005	螺钉SM11/4"x40 L=10	Screw SM11/4"x40 L=10	2
35	11309030	凸轮顶柱	Push rod	2
36	11310004	凸轮	Cam	1
37	11310011	凸轮(厚料)	Cam(H)	1
38	14002004	切线驱动轴	Shaft	1
39	H05013	GB/T896-1986挡圈	Snap ring	1
40	10112003	针杆曲柄护板	Cunper weight protecting	1
41	11322003	电磁铁缓冲片	Solenoid cushion rubber	1
42	14022013	孔塞8.5	spout plug 8.5	1
43	N01005	螺母 M4	Nut M4	2
44	W02018	GB/T93-1987弹簧垫圈 4	Washer	2
45	11309001	切线电磁铁顶销	Solenoid pin	1
46	1401200200	切线电磁铁支架组件	Bracket	1
47	S17002	GB/T70.2-2000内六角平圆头螺钉M6x10	Screw M6x10	2
48	14112022	切线杠杆	Tangent lever	1
49	H03015	GB/T894.1 卡簧8	Ring 8	1
50	10112003	针杆曲柄护板	Needle bar crank protecting plate	1
51	112S16006	螺母SM11/4"x40	Nut SM11/4"x40	1
52	113822005	垫圈	Washer	1
53	1413003400	剪线电磁铁组件	Thread trimmer solenoid asm.	1
54	13812027	拉线挡板	Pull wire baffle	1
55	101S11026	油泵安装螺钉SM15/64"x28 L=9	Screw SM15/64"x28 L=9	1
56	14127003	剪线复位簧	Spring	1



7. 绕线器组件/ Bobbin Components

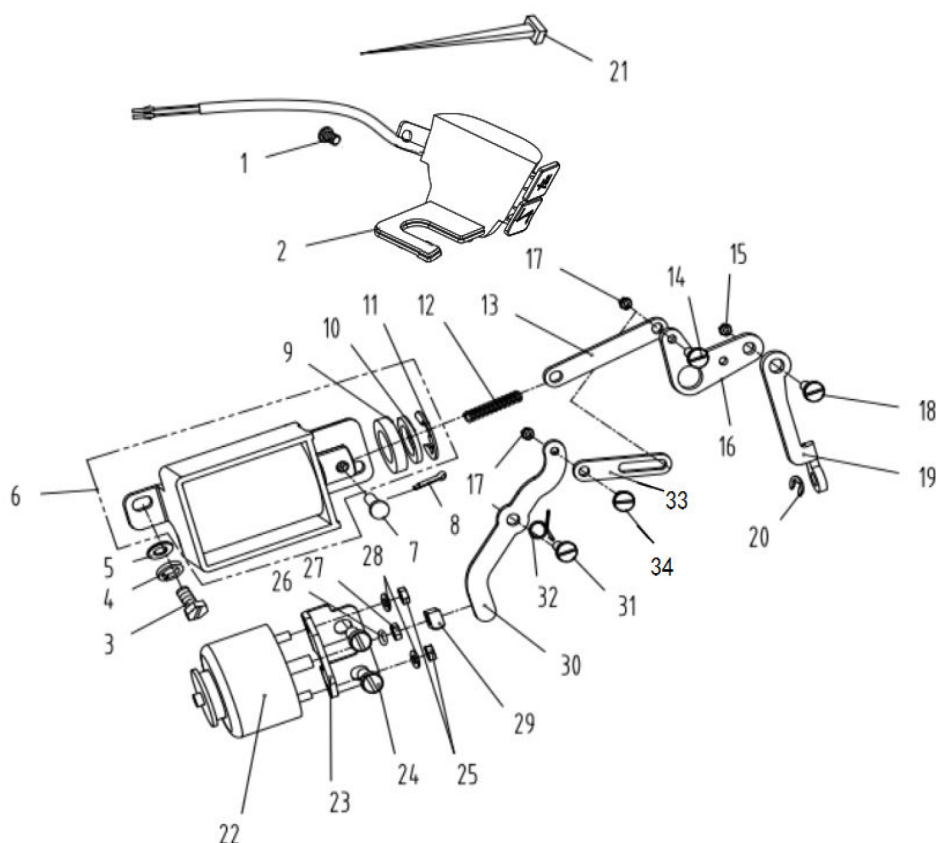
序号 NO.	公司件号	Part NO.	名称	PartName	零件描述	Description	数量	Number
1	1413104900		绕线器组件		Bobbin winder asm.		1	
2	S05300		GB/T 70.1-2008螺钉M4x6		Screw M4x6		1	
3	W02015		GB/T93-1987 垫圈		Washer		1	
4	W01008		垫圈4		Washer		1	
5	14113002		压线控制板		Pressure line control board		1	
6	14112020		垫圈		Washer		1	
7	13812110		调节板		Regulating plate		1	
8	13827013		满线复位簧		Reset spring		1	
9	14102005		绕线凸轮轴		Winding camshaft		1	
10	14111005		绕线凸轮板		Winding cam plate		1	
11	11329020		开口挡圈5		Ring 5		1	
12	141513001		内六角圆柱头螺钉SM9/64"×40 L=16		Screw SM9/64"×40 L=16		1	
13	14111004		绕线轮		Winding wheel		1	
14	O01110		O型圈25x7		O ring 25x7		1	
15	S04090		GB/T 818-2000螺钉M2x4		Screw M2x4		1	
16	14119003		割线刀		Secant cutter		1	
17	14111002		绕线衬垫		Winding gasket		1	
18	14131001		绕线器装置主座		The main seat		1	
19	10127061		复位板拉簧		Drag spring		2	
20	14127060		弹簧		Spring		1	
21	14102003		绕线器主轴		principal axis		1	
22	1380510600		绕线器连杆组件		Bobbin connecting rod asm		1	
23	14111006		止动轮		Driven wheel		1	
24	S09103		绕线轮螺钉		Screw M4x4		2	
25	11422062		密封垫		Washer		1	
26	114511003		螺钉SM3/16"×28 L=10		Screw SM3/16"×28 L=10		3	
27	S10009		螺钉M6×8		Screw M6×8		2	
28	11435013		绕线器驱动轮		Driving wheel		1	
29	1411300600		底线夹线器		Bobbin thread tension asm.		1	
30	141516019		小夹线器螺母		Thread tension nut		1	
31	11427006		小夹线弹簧		Spring		1	
32	14112015		夹线板		Thread tension disk		2	
33	11413022		夹线过线板		Thread tension guide plate		1	
34	112513004		夹线螺钉		Screw		1	
35	114516001		螺母SM11/64"×40		Nut SM11/64"×40		1	

8



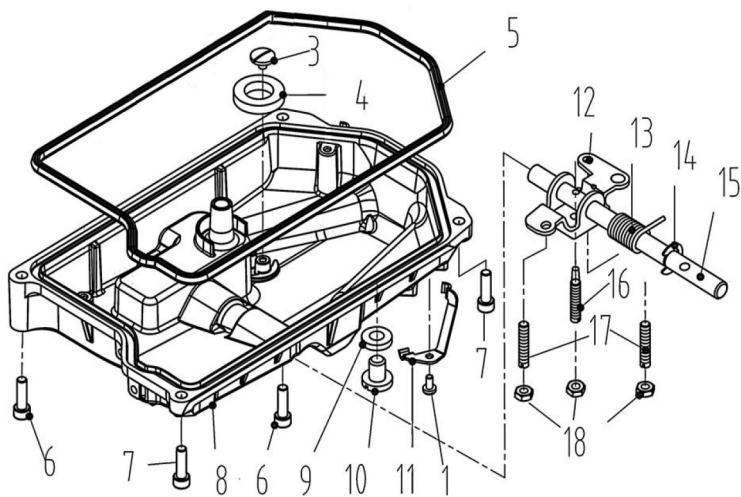
8. 润滑、油量检测组件/Oil Lubrication, Oil Measuring Components

序号 NO.	公司件号 Part NO.	名称 PartName	零件描述 Description	数量 Number
1	11211004	油窗	Oil sight window	1
2	10122019	油窗O形圈	Rubber ring	1
3	14121001	上轴供油管	Main shaft oil tube	1
4	112530005	油泵连接螺栓	Oil pump connecting stud	1
5	11329010	开口挡圈10	Snap ring 10	1
6	10121001	下轴供油管	Hook driving shaft oil tube	1
7	10112020	油泵安装板	Oil pump installing base	1
8	W03002	弹垫	Spring washer	1
9	209512001	压脚螺钉SM11/64 " x40 L=10.5	Screw SM11/64 " x40 L=10.5	1
10	10103022	油泵体衬套	Oil pump bushing	1
11	101530007	柱塞螺钉	Plunger Screw	1
12	10127013	柱塞簧	Plunger spring	1
13	10122018	回油柱塞	Plunger	1
14	10120001	油泵体	Oil pump	1
15	S04093	油泵螺钉	Screw	3
16	10111003	油泵叶轮	Oil pump impeller	1
17	10112021	油泵叶轮托板	Oil pump impeller cover	1
18	10111007	油泵盖	Lubricating oil pump cover	1
19	101530006	螺钉	Screw	3
20	1012000100	油泵分部件	Lubricating oil pump component	1
21	W02004	GB/T93-1987弹垫M6	Spring Washer M6	1
22	10136001	供油管接头	Rubber joint	1
23	116S30003	拾牙叉固定螺钉SM15/64"x28 L=14.5	Screw SM15/64"x28 L=14.5	1
24	14021003	铝油管	Aluminum tubing	1
25	14021001	油管	Tubing	1
26	14036004	油盘喷嘴	Oil nozzle	1
27	14036002	回油嘴	Oil nozzle	2
28	30127007	油管卡簧	Oil pipe clamp spring	1
29	10123010	油线	Oil wick	2
30	14036003	供油嘴	Oil nozzle	1
31	14022011	O型圈	Rubber ring	1
32	140530001	油量调节螺钉	Oil volume adjusting screw	1
33	10127015	回油毡夹	Oil felt clamp	1
34	10123006	回油毡	Oil felt felt	1
35	101511004	挑线杆护罩螺钉SM3/16"x28 L=7	Screw SM3/16"x28 L=7	1
36	10112023	回油管夹	Oil tube clamp	1
37	10121007	回油管部件	Oil return tube component	1
38	10121008	回油管	Oil return tube	1
39	10112025	油线固定板	Oil wick fixing plate	1
40	101511010	压脚扳手螺钉SM9/64"x40 L=11	Screw SM9/64"x40 L=11	2
41	10123010	油线	Oil wick	1
42	1383000300	油量检测装置组件	Oil measuring device	1
43	N01009	螺母	Nut	1
44	W02003	弹性垫圈	Washer	1
45	14012006	油量检测装置固定板	Pull spring fixing plate	1
46	14011004	油量检测罩壳	Shell	1
47	14002005	导向柱	Guide pillar	1
48	14011002	浮子	Float	1
49	H05009	开口挡圈	Ring	1
50	20429001	油管卡簧	Oil pipe clamp spring	4
51	11412200200	浮标	Buoy	1
52	13811015	油窗	Oil window	1



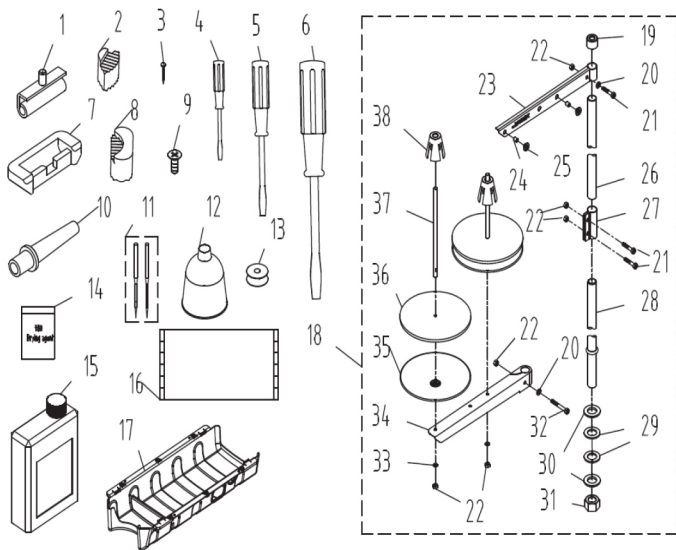
9. 自动倒送料开关、感应抬压脚组件/Automatic Reverse Feed Components

序号 NO.	公司件号 Part NO.	名称 PartName	零件描述 Description	数量 Number
1	101S11004	挑线杆护罩螺钉SM3/16"×28 L=7	Screw SM3/16"×28 L=7	1
2	1383004700	A4-X-0733倒缝开关组件	Auto reverse feed switch asm	1
3	116S30003	拾牙叉固定螺钉SM15/64"×28 L=14.5	Screw SM15/64"×28 L=14.5	2
4	W02004	GB/T93-1987弹垫M6	Spring washer M6	2
5	11628005	拾牙叉固定螺钉垫圈	Washer	2
6	1383003400 1383003500	自动倒送料电磁铁 自动倒送料电磁铁 (-7)	Auto reverse feed solenoid Auto reverse feed solenoid (-7)	1 1
7	11326005	销子	Pin	1
8	113829001	R形弹性开口销φ1.5	Cotter pin	1
9	11322040	橡胶垫片	rubber plunger	1
10	11328031	垫片	Washer	1
11	H05014	GB/T896-1986开口挡圈	Snap ring	1
12	11227006	自动倒送料连杆顶簧	Plunger spring	1
13	13812034	自动倒送料连杆	Auto reverse feed connecting rod	1
14	141S20004	曲柄短螺钉SM11/64"×40	Hinge Screw SM11/64"×40	1
15	112S16007	曲柄长螺母SM1/4"×28	Nut SM1/4"×28	1
16	14104005	自动倒送料曲柄	Auto reverse feed crank	1
17	141S16014	曲柄短螺母SM11/64"×40	Nut SM11/64"×40	2
18	112S20001	曲柄长螺钉 SM1/4"×28	Hinge Screw SM1/4"×28	1
19	13812371	自动倒送料拉杆	Auto reverse feed pull shaft	1
20	14029003	轴用弹性挡圈7(厚0.8mm)	Snap ring 7	1
21	112111005	尼龙扎带	Cable band	11
22	1413003300	短线头电磁铁组件	Thread trimmer solenoid asm.	1
23	14112002	短线头电磁铁支架	Bracket	1
24	101S11026	油泵安装螺钉SM15/64"×28 L=9	Screw SM15/64"×28 L=9	2
25	N01001	螺母 M4	Nut M4	2
26	113822005	垫圈	Rubber ring	1
27	112S16006	螺母SM1/4"×40	Nut SM1/4"×40	1
28	W01013	GB/T97.1-1985垫圈4.5	Washer	2
29	14126001	短线头电磁铁顶销	pin	1
30	14105001	短线头电磁铁顶销	rod	1
31	141S20001	倒送料连杆轴位螺钉	Screw	1
32	14127001	复位扭簧	Lower sensor	1
33	14105002	辅助连杆	rod	1
34	141S20003	轴位螺钉SM11/64"×40	Screw SM11/64"×40	1



10. 油盘、膝抬压脚分组件/Oil Reservoir, Knee Lifter Components

序号 NO.	公司件号 Part NO.	名称 PartName	零件描述 Description	数量 Number
1	113S11004	松线导管压板螺钉M4x8	Screw M4x8	1
3	101S11023	送料调节器轴端螺钉	Screw	1
4	10131001	油盘磁铁	Oil reservoir magnet	1
5	14022001	油盘密封垫	Seal	1
6	S05242	油盘固定螺钉M6x40	Screw M6 L=40	2
7	S05240	油盘固定螺钉M6x20	Screw M6 L=20	2
8	13801008	油盘	Oil reservoir	1
9	20528014	垫圈	ring	1
10	301S11015	螺钉	Screw	1
11	14013023	电线压板	Wire clamp	1
12	10112027	抬压脚双向曲柄	Knee lifter crank	1
13	14027016	双向曲柄扭簧	Knee lifter spring	1
14	H05010	GB/T896-1986挡圈10	Snap ring 10	1
15	1400200100	抬压脚轴组件	Knee lifter shaft	1
16	101S12002	双向曲柄螺钉	Screw	1
17	S07020	双向曲柄限位调节螺钉M6 L=20	Screw M6 L=20	2
18	101S16004	双向曲柄限位调节螺母 M6	Nut M6	3



11. 机头附件/Machine Head Accessories

序号 NO.	公司件号 Part NO.	名称 PartName	零件描述 Description	数量 Number
1	1011203100	机头连接钩部件	Hinge component	2
2	14022022	机头座垫	Die cushion	2
3	101S30010	机头连接钩座钉	Nail	4
4	10131004	螺丝刀(小)	Screw driver,small	1
5	10131003	螺丝刀(中)	Screw driver,medium	1
6	20731047	螺丝刀(大)	Screw driver,large	1
7	10122060	机头连接钩座	Head connecting rubber cushion	2
8	14022023	机头支架	Nose support	2
9	101S30014	木螺钉M4×20	Wood screw M4×20	6
10	10111011	机头支柱	Machine head rest pin	1
11	13817001	机针(定位14#)	Needle	4
	10117002	机针DP×5#21(厚料)	Needle(H)	4
12	20131039	漏斗	Funnel	1
13	10118003	梭心	Bobbin	2
14	20131075	干燥剂	Connecting rod	1
15	1011101200	油箱部件	Oiler component	1
16	114131001	防尘罩	Dust cover	1
17	14011001	油盘托盘	Disk tray	1
18	1383100300	线架组件	Thread stand asm.	1
19	20131019	线架杆顶防护橡皮	Spool rest rod rubber cap	1
20	W01047	垫圈M5	Washer M5	2
21	S04050	螺钉M5 L=16	Screw M5 L=16	3
22	N01034	螺母M5	Nut M5	6
23	13831022	上线架过线杆	Spool rest arm upper	1
24	10113011	过线圈(内)	Thread guide ring	2
25	10113010	过线圈(外)	Thread guide ring	2
26	13831019	线架杆上节	Spool rest rod upper	1
27	13831021	线架杆接头	Spool rest rod joint	1
28	13831020	线架杆下节	Spool rest rod lower	1
29	10122106	橡胶垫圈	Spool rest rod rubber ring	2
30	W01048	垫圈M16	Washer M16	2
31	N02004	螺母M16	Spool rest rod nut M16	1
32	S04051	螺钉 M5	Spool rest arm lower screw M5	1
33	W02027	弹簧垫圈 M5	Spring washer M5	2
34	13831023	下线架过线杆	Spool rest arm lower	1
35	13831024	线盘	Spool rest	2
36	20131010	线盘垫	Spool rest cushion	2
37	20131006	线盘钉	Spool pin	2
38	13831025	线团防松垫	Spool retainer	2

杰克缝纫机股份有限公司
杰克缝纫机
全球销量遥遥领先

公司地址(Address of Company) :

中国浙江省台州市椒江区三甲东海大道东段1008号

NO.1008 , DONGHAI AVENUE EAST , JIAOJIANG DISTRICT,TAIZHOU CITY , ZHEJIANG

邮编(Zip Code) : 318000

国内销售部(Domestic Trade Department) :

电话(TEL) : 0086-0576-88177788 88177789

传真(FAX) : 0086-0576-88177758

国贸部(International Trade Department) :

电话(TEL) : 0086-0576-88177782 88177774

传真(FAX) : 0086-0576-88177787

服务热线 : 400-8876858

<http://www.chinajack.com>

资料如有更改, 恕不另行通知, 以实物为准。

You will be not informed if the file has been revised.Please set sample as standard.



www.chinajack.com

2019.11