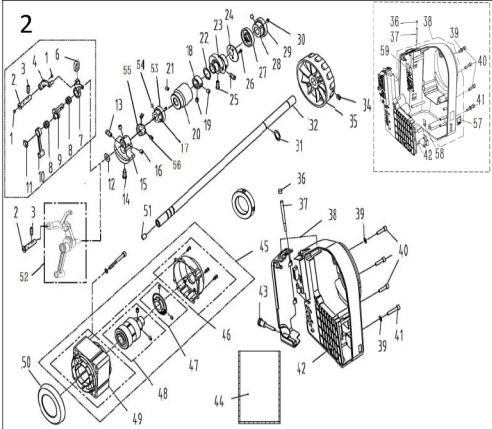


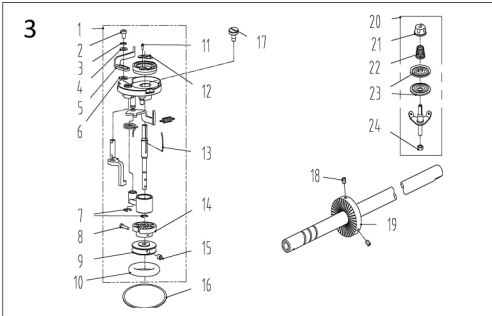
1. 机壳、外装部件/Machine Frame & Miscellaneous Cover Components

序号 NO.	公司件号 Part NO.	名称 PartName	零件描述 Description	数量 Number
1	101S11001	后盖板螺钉	Screw SM3/16"×28 L=9	3
2	10122003	橡胶调节孔堵塞	Rubber plug	2
3	14437001	面板前标牌	Head card	1
4	14401005	面板	Face plate	1
5	13813005	左线钩	Thread guide left	1
6	101S11007	右线钩螺钉	Screw SM11/64"×40 L=6	2
7	303979	面板(喉部)	Face plate asm	1
8	14422001	针杆油封套	Needle bar oil seal set	1
9	14422004	面板垫	Face plate gasket	1
10	13122003	针杆孔塞	Rubber plug	1
11	10122005	挑线滑杆橡胶孔塞	Rubber plug	2
12	10122004	针杆曲柄橡胶孔塞	Rubber plug	2
13	101S11004	挑线杆护罩螺钉SM3/16"×28 L=7	Screw SM3/16"×28 L=7	2
14	13812018	挑线杆防护罩	Thread take-up lever cover	1
15	13512004	三孔线钩	3-hole thread guide	1
16	11419001	刀片	Knife	1
17	114S11015	盖帽力螺钉	Screw	1
18	21022007	油塞	Rubber plug	1
19	21012018	油封垫	Oil sealing washer	1
20	13822001	操作脚孔塞	Rubber plug	4
21	14412021	隔油板	Oil preventing plate	1
22	141S11002	圆头螺钉SM3/16"×28	Screw SM3/16"×28	2
23	14423002	隔油板棉	Oil cotton	1
24	14422005	后盖板垫	Side plate gasket	1
25	10128016	蝶形弹垫(垫圈)	Washer	1
26	13812007	卡箍	Buckle	1
27	504021	螺钉	Screw	1
28	101S11001	后盖板螺钉SM3/16"×28 L=9	Screw SM3/16"×28 L=9	6
29	303978	后盖板(喉部)	Side plate	1
30	14422002	扁平电磁铁盖垫圈	Flat pad	1
31	303980	扁平电磁铁盖垫圈(喉部)	Presser foot electromagnet cover plate	1
32	101S11033	油塞压板螺钉	Screw	1
33	14412022	电钳压板	Wire clamp	1
34	101S11001	后盖板螺钉SM3/16"×28 L=9	Screw SM3/16"×28 L=9	12
35	10122006	送料嘴橡胶孔塞	Rubber plug	1
36	10122007	下轴工艺孔塞	Rubber plug	1
37	138505001	操作面板螺钉	Screw	2
38	14430021 1443001000	操作面板组件(标准 变频)(鼓包) 操作面板组件(标准 变频)(鼓包)(A6F+)	Control panel,PowerMax Control panel,PowerMax(A6F+)	1
39	14422007	装饰条	Decorative article	1
40	14437002	机头前标牌	Head card	1
41	14122001	橡胶塞(顶孔)	Rubber plug	1
42	1411300400	小夹线器组件	Thread tension asm.	1
43	141S16019	小夹线螺母	Thread tension nut	1
44	11227001	小夹线弹簧	Thread tension spring	1
45	14112017	小夹线盘	Thread tension disk	2
46	13810008	小夹线轴柱	Thread tension post	1
47	13812066	过线板	Thread tension guide plate	1
48	138506006	小夹线轴柱螺钉SM3/16"×28 L=7	Screw SM3/16"×28 L=7	1
49	1411300300 1411300500	夹线器组件(标准) 夹线器组件(标准) (厚料)	Thread tension asm. Thread tension asm. (-H)	1
50	141S16013	夹线螺母	Thread tension nut	1
51	10112007	夹线轴动板	Thread disk rotating stopper	1
52	10127002 11427050	夹线弹簧 夹线弹簧 (厚料)	Thread tension spring A Thread tension spring A (-H)	1
53	14112015	夹线盘	Thread tension disk	2
54	14112016	松线盘	Disk stopper	1
55	141S30001	夹线螺钉	Thread tension post	1
56	10127001 10127031	挑线簧 挑线簧 (厚料)	Thread take-up spring Thread take-up spring (-H)	1
57	10103011	挑线簧调书座	Thread tension base	1
58	101S15005	夹线螺钉紧圈螺钉SM9/64"×40 L=5.5	Screw SM9/64"×40 L=5.5	1
59	10122014	挑线簧调书座O型圈	Rubber ring	1
60	101S15010	左轴螺钉	Screw SM15/64"×28 L=10.5	1
61	14403003	松线钉支撑套	Loose wire nail support sleeve	1
62	1442600300	松线钉组件	Loose wire nail asm.	1
63	1443000100	电子夹线器组件	Nest less e-device	1
64	207S14007	GB/T80 巴黎紧定螺钉 M4×6	Screw M4X6	1
65	13113001	固定式夹线钩	Thread guide	1
66	401S16001	螺母SM9/64"×40	Nut SM9/64"×40	1
67	10113004	右线钩	Thread guide right	1
68	13812019	卷边脚座	Ruler stop seat	1
69	101S11002	卷边脚座螺钉	Screw SM11/64"×40 L=5.5	1
70	13115001	针板	Needle plate	1
71	13115002	针板 (厚料)	Needle plate (-H)	1
72	104S17002	针板螺钉	Screw SM11/64"×40	2
73	140S12001	面板支柱	Machine head stud	2
74	101S11019	推板垫螺钉	Slide plate	2
75	10127009	推板簧	Slide plate spring	1
75	10115002	推板	Screw SM3/32"×56 L=2	1



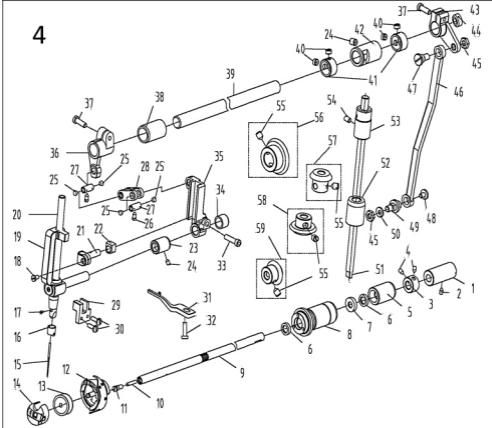
2. 上轴、挑线部件/Main Shaft & Thread Take-up Components

序号NO.	公司件号	Part NO.	名称	PartName	零件描述	Description	数量	Number
1	13111002		塞子	Plug	Plug		2	
2	12226001		挑线连杆销	Thread take-up connecting rod pin	Thread take-up connecting rod pin		1	
3	101S15001		上轴螺钉	Screw SM15/64"x28 L=15	Screw SM15/64"x28 L=15		1	
4	11305010		挑线连杆(原料)	Thread take-up connecting rod (-H)	Thread take-up connecting rod (-H)		1	
6	14422008		挑线杆取胶圈	Thread take-up lever rubber	Thread take-up lever rubber		1	
7	1133800200		挑线杆分组件(原料)	Thread take-up lever asm. (-H)	Thread take-up lever asm. (-H)		1	
8	13538003		挑线杆分组件(-HL)	Thread take-up lever asm (-HL)	Thread take-up lever asm (-HL)		1	
9	10124001		挑线杆轴承(原料)	Needle bearing (-H)	Needle bearing (-H)		2	
10	11310010		挑线曲柄分组件(原料)	Thread take-up crank (-H)	Thread take-up crank (-H)		1	
11	10105002		针杆连杆(原料)	Needle bar connecting rod (-H)	Needle bar connecting rod (-H)		1	
12	101S17001		挑线曲柄螺钉(左旋)	Screw	Screw		1	
13	10112003		针杆曲柄护板	Needle bar crank protecting plate	Needle bar crank protecting plate		1	
14	101S15004		针杆曲柄固定螺钉 SM9/32"x28 L=16	Screw SM9/32"x28 L=16	Screw SM9/32"x28 L=16		1	
15	101S11003		针杆曲柄固定螺钉 SM9/32"x28 L=16	Screw SM9/32"x28 L=16	Screw SM9/32"x28 L=16		1	
15	13804001		针杆曲柄	Needle bar crank	Needle bar crank		1	
16	10404001		针杆曲柄(-H)	Needle bar crank (-H)	Needle bar crank (-H)		1	
16	101S15002		送料轴挡圈螺钉 SM1/4"x40 L=6	Screw SM1/4"x40 L=6	Screw SM1/4"x40 L=6		2	
17	14303008		送料轴挡圈	Bearing bush	Bearing bush		1	
18	10108001		上轴挡圈	Main shaft thrust collar	Main shaft thrust collar		1	
19	101S14001		上轴中套挡圈螺钉 SM1/4"x40 L=6	Screw SM1/4"x40 L=6	Screw SM1/4"x40 L=6		2	
20	14403001		上轴中套	Main shaft bushing mid	Main shaft bushing mid		1	
21	101S15006		夹线器螺钉 SM15/64"x28 L=7	Screw SM15/64"x28 L=7	Screw SM15/64"x28 L=7		1	
22	H03002		挡圈20	Snap ring 20	Snap ring 20		1	
23	11310014		送料偏心轮(厚)	Feed eccentric cam (-H)	Feed eccentric cam (-H)		1	
23	400092		送料偏心轮	Feed eccentric cam	Feed eccentric cam		2	
24	10112017		送料偏心轮盖板	Cover plate	Cover plate		1	
25	101S11013		送料偏心轮螺钉 SM1/4"x40 L=13	Screw SM1/4"x40 L=13	Screw SM1/4"x40 L=13		2	
26	113511003		针叶片螺钉 SM9/64"x40 L=5	Screw SM9/64"x40 L=5	Screw SM9/64"x40 L=5		2	
27	14422009		上轴后油封	Oil seal	Oil seal		1	
28	14403008		上轴轴承套	Bearing bush	Bearing bush		1	
29	806023		GB/T 27.76-2013 轴承61904-2RS	Needle bearing	Needle bearing		1	
30	S10018		GB/T 80 巴鲁索紧螺钉 M6x0.75x6	Screw M6x0.75x6	Screw M6x0.75x6		2	
31	H03001		GB/T 894.1-1986 挡圈15	Snap ring 15	Snap ring 15		1	
32	14302002		上轴	Main shaft	Main shaft		1	
34	S10009		螺钉	Screw	Screw		2	
35	302830		手轮(原装)	Handwheel	Handwheel		1	
36	12922015		橡皮塞	Rubber plug	Rubber plug		1	
37	13826009		固定台销钉	Pin	Pin		1	
38	1441103000		一体机电控盒组件(标准壳)	Electronic control box	Electronic control box		1	
38	11443000800		一体机电控盒壳组件(标准壳)(A6F+)	Electronic control box(A6F+)	Electronic control box(A6F+)		1	
39	W01009		GB/T 9.71-1985 垫圈 5	Washer 5	Washer 5		2	
40	114S13001		高磁电机螺钉 M5x20	Screw M5x20	Screw M5x20		3	
41	114S30001		螺栓(内六角) M5x25	Screw M5x25	Screw M5x25		1	
42	14133002		一体机电控组件(标准壳)	Electronic control box	Electronic control box		1	
42	11463000500		一体机电控组件(标准壳)(A6F+)	Electronic control box(A6F+)	Electronic control box(A6F+)		1	
43	144S30001		电控后盖螺钉	Screw	Screw		1	
44	13831015		塑料袋28x18(cm)厚0.03mm	Plastic bag 28cmx18cmx0.03mm	Plastic bag 28cmx18cmx0.03mm		1	
45	13833050		光电伺服电机(标准壳)	Servo motor	Servo motor		1	
46	1383300700		电机盒内组件(配标准)	Encoder housing assembly	Encoder housing assembly		1	
47	1383300900		电机光栅组件(配标准)	Motor grating sensor asm	Motor grating sensor asm		1	
48	1383300400		电机转子总成	Motor rotor	Motor rotor		1	
49	13833003		电机定子总成(配标准)	Motor stator, qxing	Motor stator, qxing		1	
50	13811060		绝缘防护罩	Insulating shield	Insulating shield		1	
51	10122012		上轴衬套	Rubber plug	Rubber plug		1	
52	1443800100		挑线部件	Thread take-up lever asm.	Thread take-up lever asm.		1	
53	810046		深沟球轴承	Needle bearing	Needle bearing		1	
54	S10018		螺钉	Screw	Screw		2	
55	14408001		针杆曲柄挡圈	Needle bar crank snap ring	Needle bar crank snap ring		1	
56	S10026		螺钉	Screw	Screw		2	
57	114430009		二维标签纸(A6F+)	Label paper(A6F+)	Label paper(A6F+)		1	
58	195284003		U型铁夹(A6F+)	U clip(A6F+)	U clip(A6F+)		1	
59	114130006		无线通信模块(A6F+)	RF wireless data communication module	RF wireless data communication module		1	



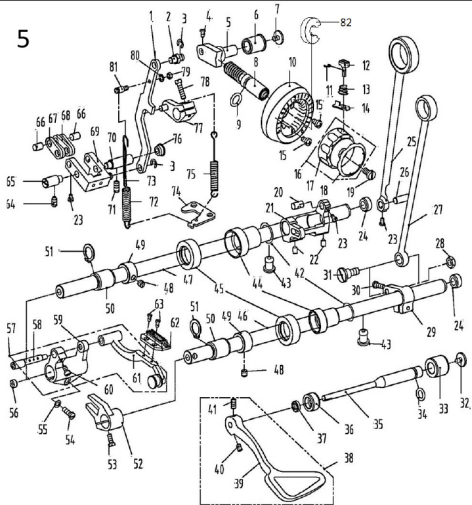
3. 绕线部件/ Bobbin Components

序号NO.	公司件号 Part NO.	名称 PartName	零件描述 Description	数量 Number
1	1413104900	绕线器组件	Bobbin winder asm	1
	1383103900	绕线器组件 (-HL)	Bobbin winder asm (-HL)	1
2	S05300	GB/T 70.1-2008螺钉M4x5	Screw M4x5	1
3	W02015	GB/T93-1987 垫圈	Washer	1
4	W01008	垫圈4	Washer	1
5	14113002	压线控制板	Pressure line control board	1
6	14112020	垫圈	Washer	1
7	11329020	开口指套5	Ring 5	1
8	141513001	内六角圆柱头螺钉SM9/64* \times 40 L=16	Screw SM9/64* \times 40 L=16	1
9	14111004	绕线轮	Winding wheel	1
10	Q01110	O型圈25x7	O ring 25x7	1
11	S04090	GB/T 818-2000螺钉M2x4	Screw M2x4	1
12	14119003	割线刀	Secant cutter	1
13	14127060	弹簧	Spring	1
14	14111006	止动轮	Driven wheel	1
15	S09103	绕线器螺钉	Screw M4x4	2
16	11422062	密封垫	Washer	1
17	114S11003	螺钉SM3/16* \times 28 L=10	Screw SM3/16* \times 28 L=10	3
18	S10009	螺钉M6 \times 8	Screw M6 \times 8	2
19	11435013	绕线器驱动轮	Driving wheel	1
20	1411300600	绕线夹线器	Bobbin thread tension asm.	1
21	141516019	小夹线器螺母	Thread tension nut	1
22	11427006	小夹线弹簧	Spring	1
23	14112015	夹线板	Thread tension disk	2
24	114S16001	螺母SM11/64* \times 40	Nut SM11/64* \times 40	1



4. 针杆、竖轴、下轴部件/Needle bar, Upright Shaft & Hook Driving Shaft Components

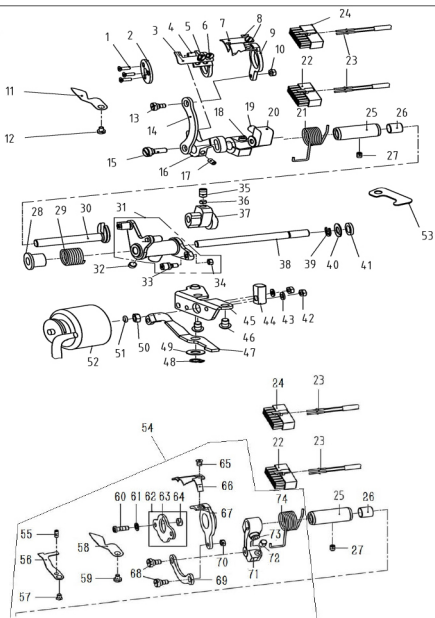
序号NO.	公司件号 Part NO.	名称 PartName	零件描述 Description	数量 Number
1	10403019	下轴后轴套	Hook driving shaft bushing back	1
2	113514020	下轴后套螺帽SM11/64"×40 L=6	Screw SM11/64"×40 L=6	1
3	114514001	内六角平端固定螺帽SM11/64"×40	Screw SM11/64"×40	1
4	10108002	下轴挡圈	Hook driving shaft snap ring	1
5	101511012	下轴挡圈螺帽SM11/64"×40 L=4.8	Screw SM11/64"×40 L=4.8	2
6	14003004	下轴中套	Lower shaft middle bushing	1
7	11522001	油封组件12	oil seal 12	2
8	1142201600	油封组件18	oil seal 18	1
9	14103004	下轴前轴套组件	Lower shaft before bushing asm	1
10	14402003	下轴	Hook driving shaft	1
11	13823001	下轴油芯	Oil wick	1
12	101530005	下轴螺母	set screw	1
13	114118001	滑钩(进口)(HSH-7.94BTR(V1))	Hook asm (Hirose)	1
14	11418004	广滑钩(进口)(HSH-7.94BTR(V1))	Hook asm (Hirose) (-H)	1
15	13618005	旋梭组件(进口)(-HL)	Hook asm (-HL)	1
16	13618003	旋梭组件(-HL)	Hook asm (-HL)	1
17	113818002	广滑钩(进口)(1.3级)(-P)	Hook asm (-P)	1
18	10118003	梭芯	Bobbin	1
19	10818501	梭芯(-L)	Bobbin (-L)	1
20	13818002	梭芯(1.3级)(-P)	Bobbin (-P)	1
21	11218504	梭壳	Bobbin case asm.	1
22	13618004	梭壳(-L)	Bobbin case asm (-L)	1
23	13818003	梭壳(1.3级)(进口)(-P)	Bobbin case asm (-P)	1
24	10117001	机针(14#)	Needle (14#)	1
25	10117002	机针(21#)	Needle (21#)	1
26	10113002	针杆线钩	Needle bar thread guide	1
27	11412063	针杆线钩(原料)	Needle bar thread guide (-H)	1
28	104511006	支针螺帽(进口) SM11/8"×44 L=4.5	Screw SM11/8"×44 L=4.5	1
29	101511005	针杆连接螺帽 SM9/64"×40 L=6	Screw SM9/64"×40 L=6	1
30	1440100100	针杆支架组件	Needle bar support asm	1
31	14402012	针杆(DLC)	Needle bar	1
32	14402014	针杆(DLC)(原料)	Needle bar (-H)	1
33	14438002	针杆连接杆(DLC)	Needle bar connecting rod	1
34	114409003	针杆连接滑块	Slide block	1
35	14403006	针杆支架轴套	Needle bar stand collar	1
36	138508006	小夹线螺帽SM3/16"×28 L=7	Screw SM3/16"×28 L=7	2
37	13111002	塞子	Plug	4
38	131501004	螺帽 9/64"×40 L=6	Screw 9/64"×40 L=6	2
39	14426007	驱动连杆销(DLC)	Driving connecting rod pin	2
40	14405002	驱动连杆	Driving connecting rod	1
41	14409004	针杆支架导轨	Needle bar guide	1
42	101511010	压脚板手螺帽	Presser foot screws	2
43	10112016	限位定位销	Finger postioner	1
44	10112032	限位定位销(原料)	Finger postioner (-H)	1
45	116511005	牙架曲柄螺帽 SM11/64"×40 L=13	Screw SM11/64"×40 L=13	1
46	144513001	内六角圆头螺帽SM3/16"×28	Screw 3/16"×28	1
47	131807001	滚针轴承	Needle bearing	1
48	14409003	滑块导轨	Sliding block guide rail	1
49	14404001	针送前驱动曲柄	Sent front drive the crank pin	1
50	101511016	送料曲柄螺帽 SM3/16"×28 L=14	Screw 3/16"×28 L=14	2
51	14403004	针送前滑动套	Before the needle swing axle sleeve	1
52	14402009	针送前轴套	Needle bar swing axle	1
53	135515004	上轴紧固螺帽	Screw of shaft clamping ring	4
54	13108002	挡圈	Ring	2
55	14403005	针送前滑动套	After the needle swing axle sleeve	1
56	14404002	针送前驱动曲柄	After driving the crank	1
57	10122006	送料调节孔塞	Rubber plug	1
58	131N01002	螺母	Nut	2
59	14405001	针送连杆	Needle connecting rod	1
60	144520005	针送后驱动曲柄轴位螺帽	After needle to drive the crank shaft screw	1
61	144501001	调节螺帽螺帽	Screw	1
62	144520006	针送后驱动曲柄轴位螺帽	Driving crank adjustment screw	1
63	40128013	垫圈6.2×13×1	Washer 6.2×13×1	1
64	10102007	竖轴	Upright shaft	1
65	113803004	竖轴下轴套	Upright shaft bushing lower	1
66	10403020	竖轴上轴套	Upright shaft bushing upper	1
67	113511036	一字槽紧套螺帽	Screw	1
68	101515014	齿轮螺帽SM11/4"×40 L=7	Screw SM11/4"×40 L=7	8
69	10425004	上轴伞齿轮	Upper shaft bevel gear	1
70	10425003	竖轴上伞齿轮	Upper small bevel gear asm	1
71	10425002	竖轴下伞齿轮	Lower large bevel gear asm	1
72	10425001	下轴伞齿轮	Hook drive shaft bevel gear	1



5. 送料部件 / Feed Mechanism Components

序号NO.	公司件号	Part NO.	名称	PartName	零件描述	Description	数量	Number
1	11405015		倒送料连杆	Reverse feed connecting rod	Reverse feed connecting rod		1	
2	11326011		倒送料连杆销	Connecting rod pin	Connecting rod pin		1	
3	11329020		挡圈5	Snap ring 5	Snap ring 5		2	
4	101S11005		螺钉 SM9/64"x40 L=6	Screw SM9/64"x40 L=6	Screw SM9/64"x40 L=6		2	
5	11401015		送料调节器	Feed regulator	Feed regulator		1	
6	11403043		送料调节轴衬套	Feed regulator bushing	Feed regulator bushing		1	
7	101S11023		送料调节轴销螺钉 SM3/16"x28 L=6.5	Screw SM3/16"x28 L=6.5	Screw SM3/16"x28 L=6.5		1	
8	14426006		标盘螺钉	Feed regulator stud	Feed regulator stud		1	
9	10122016		送料调节轴衬套	Rubber ring	Rubber ring		1	
10	14411004		固定表盘	Fixing dial plate	Fixing dial plate		1	
11	H05018		GB/T896-1986挡圈3.5	Snap ring 3.5	Snap ring 3.5		1	
12	13811009		标盘按钮	Dial plate button	Dial plate button		1	
13	13827002		按钮限位簧	Spring	Spring		1	
14	13812010		上限位片	Upper limit patch	Upper limit patch		1	
15	101S11004		接线杆衬套螺钉 SM3/16"x28 L=7	Screw SM3/16"x28 L=7	Screw SM3/16"x28 L=7		2	
16	1381100700		标盘旋钮组件	Dial knob asm	Dial knob asm		1	
17	13811007		标盘旋钮	Dial knob	Dial knob		1	
18	13811020		标盘盖衬套板	Cover plate	Cover plate		1	
19	101S11022		送料曲柄螺钉 SM3/16"x28 L=18	Screw SM3/16"x28 L=18	Screw SM3/16"x28 L=18		1	
20	10126011		送料曲柄销	Feed rocker crank pin	Feed rocker crank pin		1	
21	14404004		针送料曲柄 (一体式)	Crank	Crank		1	
22	144S14001		内六瓣山架紧定螺钉 SM9/32"x28 L=8	Screw SM9/32"x28 L=8	Screw SM9/32"x28 L=8		2	
23	101S11005		螺钉 SM9/64"x40 L=6	Screw SM9/64"x40 L=6	Screw SM9/64"x40 L=6		4	
24	114022002		橡胶塞	Rubber plug	Rubber plug		2	
25	400083		送料连杆	Rocker shaft connecting rod	Rocker shaft connecting rod (-H)		1	
26	10126006		送料连杆销	Connecting rod pin	Connecting rod pin		1	
27	400093		拾牙连杆	Connecting rod	Connecting rod		1	
28	101S16003		拾牙连杆轴位螺母 SM9/32"x28	Hinge Screw SM9/32"x28	Hinge Screw SM9/32"x28		1	
29	10104004		拾牙轴盘柄	Feed driving shaft crank	Feed driving shaft crank		1	
30	101S11016		送料曲柄螺钉 SM3/16"x28 L=14	Screw SM3/16"x28 L=14	Screw SM3/16"x28 L=14		1	
31	101S20005		拾牙连杆轴位螺母 SM9/32"x28	Hinge Screw SM9/32"x28	Hinge Screw SM9/32"x28		1	
32	101S11023		送料调节轴销螺钉 SM3/16"x28 L=6.5	Screw SM3/16"x28 L=6.5	Screw SM3/16"x28 L=6.5		1	
33	13803021		倒送料轴后衬套	Reverse feed shaft bushing back	Reverse feed shaft bushing back		1	
34	13822003		倒送料轴衬套	Rubber ring	Rubber ring		1	
35	13803010		倒送料轴衬套	Reverse feed shaft bushing mid	Reverse feed shaft bushing mid		1	
36	13803020		倒送料轴衬套	Reverse feed shaft bushing mid	Reverse feed shaft bushing mid		1	
37	13822056		倒送料轴衬套油封	Mid bushing oil seal	Mid bushing oil seal		1	
38	302665		倒送料轴衬套油封	Reverse feed lever asm	Reverse feed lever asm		1	
39	13831055		倒送料轴衬套油封	Reverse feed lever	Reverse feed lever		1	
40	S10035		内六瓣山架紧定螺钉 M5X8	Screw M5X8	Screw M5X8		1	
41	138510010		内六瓣山架紧定螺钉 M5X8	Screw M5X8	Screw M5X8		1	
42	114022001		O型圈	O ring	O ring		2	
43	14022008		送料轴轴孔塞	Plug	Plug		2	
44	14003002		送料轴轴衬套	axle sleeve	axle sleeve		2	
45	1142200800		油封组件22	oil seal	oil seal		2	
46	14402007		拾牙轴	Feed driving shaft	Feed driving shaft		1	
47	14402008		送料轴	Feed rocker shaft	Feed rocker shaft		1	
48	101S15002		送料轴轴位螺母 SM1/4"x40 L=6	Screw SM1/4"x40 L=6	Screw SM1/4"x40 L=6		4	
49	10108003		送料轴轴衬套	Feed rocker shaft snap ring	Feed rocker shaft snap ring		2	
50	10403015		轴套	Bushing	Bushing		2	
51	H03001		GB/T894.1-1986挡圈15	Snap ring 15	Snap ring 15		2	
52	10104003		拾牙叉形盘柄	Driving shaft crank	Driving shaft crank		1	
53	101S11020		拾牙叉形盘柄螺钉 SM11/64"x40 L=10.5	Screw SM11/64"x40 L=10.5	Screw SM11/64"x40 L=10.5		1	
54	101S11016		送料轴轴位螺母 SM3/16"x28 L=14	Screw SM3/16"x28 L=14	Screw SM3/16"x28 L=14		1	
55	10128003		牙架衬套	Washer	Washer		1	
56	14022003		送料轴轴衬套	spout plug	spout plug		1	
57	1440700300		牙架组件(成品)	Feed bar asm	Feed bar asm		1	
58	11226001		牙架销	Feed bar pin	Feed bar pin		1	
59	11201001		牙架床	Feed bar bed	Feed bar bed		1	
60	101S11025		复位轴螺钉 SM11/64"x40 L=7	Screw SM11/64"x40 L=7	Screw SM11/64"x40 L=7		1	
61	14407003		牙架	Feed bar	Feed bar		1	
62	13114001		送料牙	Feed dog	Feed dog (-H)		1	
63	13114003		送料牙 (厚料)	Feed dog (-H)	Feed dog (-H)		1	
64	101S11018		送料轴螺钉 SM1/8"x44 L=6	Screw SM1/8"x44 L=6	Screw SM1/8"x44 L=6		2	
65	101S15010		左轴螺钉 SM15/64"x28 L=10.5	Screw SM15/64"x28 L=10.5	Screw SM15/64"x28 L=10.5		1	
66	10126009		送料轴轴衬套左轴	Left pin	Left pin		1	
67	10126007		送料轴轴衬套右轴	Connecting pin	Connecting pin		2	
68	13809007		送料轴轴衬套左轴	Feed short shaking plate	Feed short shaking plate		2	
69	13809008		送料轴轴衬套右轴	Feed long shaking plate	Feed long shaking plate		2	
70	1400100600		送料轴轴衬套左轴	Feed shaking plate bed components	Feed shaking plate bed components		1	
71	10126010		送料轴轴衬套右轴	Right pin	Right pin		1	
72	113514010		左轴螺钉 SM15/64"x28 L=12	Screw SM15/64"x28 L=12	Screw SM15/64"x28 L=12		1	
73	11427011		送料轴轴衬套	Spring	Spring		1	
74	14427004		送料轴轴衬套	Spring	Spring		1	
75	11321005		油套	Tube	Tube		0.11	
76	13812081		固定衬套板	Fixed plate	Fixed plate		1	
77	13827006		倒送料轴衬套	Spring	Spring		1	
78	14022015		右轴衬套	spout plug	spout plug		1	
79	1140402700		倒送料轴衬套	Feed reverse crank asm.	Feed reverse crank asm.		1	
80	S01102		螺钉 SM3/16"x28 L=18	Screw SM3/16"x28 L=18	Screw SM3/16"x28 L=18		1	
81	114516004		螺母 SM11/64"x40	Nut SM11/64"x40	Nut SM11/64"x40		1	
82	W02015		GB/T93-1987 弹簧垫圈M4	Spring washer M4	Spring washer M4		1	
83	114530007		弹簧垫圈	Screw	Screw		1	
84	13822012		橡胶垫	Rubber mat	Rubber mat		1	

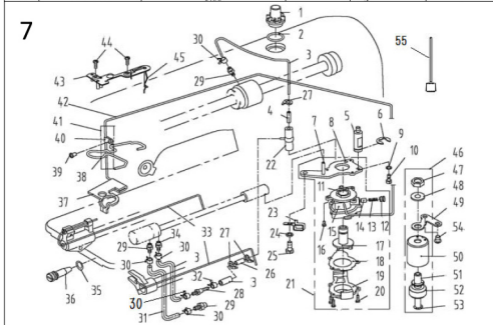
6



6. 自动剪线部件/Feed Mechanism Components

序号NO.	公司件号	Part NO.	名称	PartName	零件描述	Description	数量	Number
1	114517001		刀架压板螺钉		Screw		3	
2	14112005		刀架压板		Knife bracket press component		1	
3	14119002		辅助刀片		knife		1	
4	14119005		辅助刀片(厚料)		knife (-H)		1	
5	1440700200		剪线辅助刀架组件		Knife bracket		1	
6	113517002		活动刀固定螺钉SM11/64×40 L=4.4		Screw SM11/64×40 L=4.4		1	
7	131501002		螺钉SM11/64×40		Screw SM11/64×40		1	
8	14119001		活动刀		knife		1	
9	113517002		活动刀固定螺钉SM11/64×40 L=4.4		Screw SM11/64×40 L=4.4		2	
10	14407001		剪线主刀架		Knife bracket		1	
11	114516004		螺母SM11/64×40		Nut SM11/64×40		1	
12	14112001		分线片		Needle guard patch		1	
13	201511009		螺钉SM9/64×40 L=5.5		Screw SM9/64×40 L=5.5		1	
14	113520001		连杆螺钉SM11/64×40		hinge Screw SM11/64×40		1	
15	114112013		连杆		Connecting rod		1	
16	141520002		剪线曲柄轴螺钉		Screw		1	
17	14104003		剪线曲柄轴		Crank		1	
18	S10007		GB/T80止动螺钉M4×4(发黑)		Screw		1	
19	S06004		螺钉M5×14		Screw M5×14		1	
20	11322001		剪线曲柄止动块		Stop block		1	
21	14104001		剪线曲柄		Crank		1	
22	11327001		弹簧		Spring		1	
23	11230004		14孔接线器		Plug		1	
24	11230005		电线插销		Pin		2	
25	14130001		10孔接线器		Plug		1	
26	14103003		剪线轴套		Thread cutting shaft bushing		1	
27	11503005		剪线曲柄轴衬套		Crank drive shaft bushing		1	
28	113514020		螺钉SM11/64×40 L=6		Screw SM11/64×40 L=6		1	
29	11322002		扭簧盖		Spring cover		1	
30	11327002		弹簧		Spring		1	
31	14104002		剪线凸轮曲柄轴		Crank shaft		1	
32	1400400100		剪线轴组件		Thread trimmer drive asm.		1	
33	101514001		上轴中套挡圈螺钉SM11/4×40 L=6		Screw SM11/4×40 L=4.5		1	
34	11324001		滚柱		Rolling pin		1	
35	113516002		螺母SM11/64×40		Nut SM11/64×40		1	
36	116514005		螺钉SM11/4×40 L=10		Screw SM11/4×40 L=10		2	
37	11309030		凸轮轴柱		Push rod		2	
38	11310004		剪线凸轮		Cam		1	
39	11310011		剪线凸轮(厚料)		Cam (-H)		1	
40	14002004		切线驱动轴		Shaft		1	
41	H05013		GB/T896-1986环圈5		Snap ring 6		1	
42	10112003		针杆套轴衬套		Cutter weight protecting		1	
43	11322003		电磁阀缓冲片		Solenoid cushion rubber		1	
44	N01001		螺母 M4		Nut M4		2	
45	W01013		GB/T97.1-1985垫圈4.5		Washer		2	
46	11309001		切线电磁阀插销		Solenoid pin		1	
47	1401200200		切线电磁阀支架组件		Bracket		1	
48	S17002		GB/T70.2-2000内六角平圆头螺钉M6×10		Screw M6×10		2	
49	14112022		切线杠杆		Tangent lever		1	
50	H03015		GB/T894.1卡套8		Ring 8		1	
51	10112003		针杆套轴保护板		Needle bar crank protecting plate		1	
52	112516006		螺母SM11/4×40		Nut SM11/4×40		1	
53	113822005		衬套垫		Washer		1	
54	1403003400		剪线电磁阀组件		Thread trimmer solenoid asm.		1	
55	10112022		剪线电磁阀注板		Plate		1	

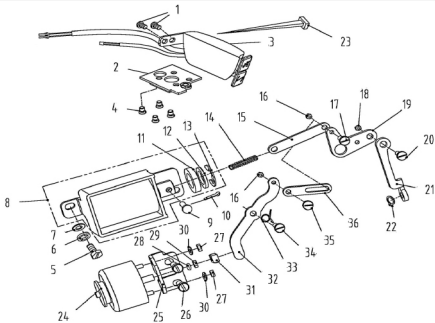
		自动剪线部件 (-HL用)	Feed Mechanism Components (-HL)	
54	113S15002	定刀侧书螺钉SM1/8"x44 L=9.5	Screw SM1/8"x44 L=9.5	1
56	13119001	定刀	Secant knife	1
57	113S17001	螺钉SM9/64"x40	Screw SM9/64"x40	1
58	11312003	护刀片	Needle guard patch	1
59	201S11009	螺钉SM9/64"x40 L=5.5	Screw SM9/64"x40 L=5.5	1
60	113S11001	螺钉SM11/64"x40 L=12	Screw SM11/64"x40 L=12	1
61	10128003	牙架侧螺钉垫圈	Washer	2
62	14012004	刀架压板组件	Knife bracket press component	1
63	114412001	刀架压板	Knife bracket press	1
64	13803012	短套	Short bushing	2
65	113S17002	活动刀固定螺钉SM11/64"x40 L=4.4	Screw SM11/64"x40 L=4.4	2
66	11319002	活动刀送料长轴	Mototrial knife	1
67	114419001	剪线刀架	Knife bracket	1
68	113S20001	连杆螺钉SM11/64"x40	hinge Screw SM11/64"x40	2
69	11312005	连杆	Connecting rod	1
70	114S16004	螺母SM11/64"x40	Nut SM11/64"x40	1
71	114404005	曲柄	Crank	1
72	11322001	驱动曲柄止动块	Crank driver stopper block	1
73	S05004	螺钉M5x14	Screw M5x14	1
74	11327001	弹簧	Spring	1



7. 润滑、油量检测部件/Oil Lubrication, Oil Measuring Components

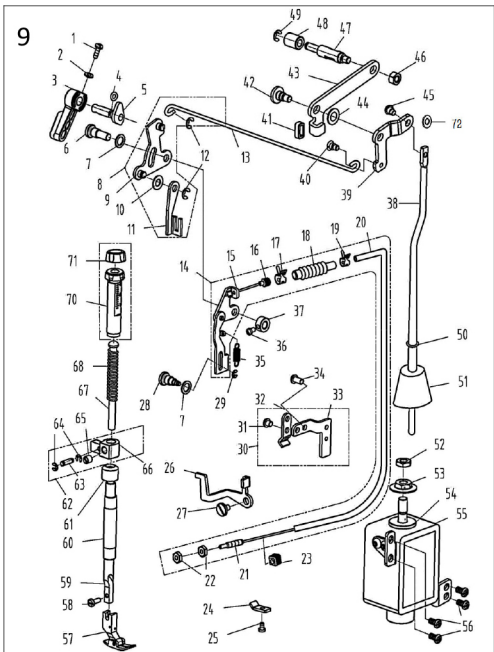
序号NO.	公司件号	Part NO.	名称	PartName	零件描述	Description	数量	Number
1	11211004		油窗		Oil sight window		1	
2	10122019		油窗O形圈		Rubber ring		1	
3	14021001		油管Φ4×Φ6		Tubing Φ4×Φ6		0.6	
4	14436001		铝油管Φ4.5xΦ6		Aluminum tubing Φ4.5xΦ6		1	
5	112S30005		油泵连接螺柱		Oil pump connecting stud		1	
6	11329010		开口挡圈10		Snap ring 10		1	
7	10121001		下供油管		Hook driving shaft oil tube		1	
8	10112020		油泵安装板		Oil pump installing base		1	
9	W03002		弹簧		Spring washer		1	
10	209S12001		压帽螺钉SM11/64"×40 L=10.5		Screw SM11/64"×40 L=10.5		1	
11	10103022		油泵密封套		Oil pump bushing		1	
12	101S30007		柱塞螺钉		Plunger screw		1	
13	10127013		柱塞簧		Plunger spring		1	
14	10122018		回油柱塞		Plunger		1	
15	10120001		油泵体		Oil pump		1	
16	S04009		油泵螺钉		Screw		3	
17	10111003		油泵叶轮		Oil pump impeller		1	
18	10112021		油泵叶轮托板		Oil pump impeller cover		1	
19	10111007		油泵盖		Lubricating oil pump cover		1	
20	101S30006		螺钉		Screw		3	
21	1012000100		油泵分部件		Lubricating oil pump component		1	
22	10136001		供油管接头		Rubber joint		1	
23	14112007		过线钩		Overwire hook		1	
24	W02004		GB/T93-1987弹簧M6		Spring Washer M6		1	
25	116S30003		柏牙叉固定螺钉SM15/64"×28 L=14.5		Screw SM15/64"×28 L=14.5		1	
26	14021003		铝油管		Aluminum tubing		1	
27	11211005		尼龙扎带		Cable band		4	
28	14036004		油嘴油嘴		Oil nozzle		1	
29	14036002		回油嘴		Oil nozzle		3	
30	20M29001		油管卡箍6.5		Oil pipe clamp spring		4	
31	14021001		油管Φ4×Φ6		Tubing Φ4×Φ6		0.15	
32	30129007		油管卡箍6		Oil pipe clamp spring		1	
33	10123010		油线		Oil wick		2	
34	14036003		供油嘴		Oil nozzle		1	
35	14022011		O型圈		Rubber ring		1	
36	140S30001		油量调节螺钉		Oil volume adjusting screw		1	
37	14423001		回油毡		Oil felt felt		1	
38	14427003		回油毡夹		Asphalt felt clamp		1	
39	101S11004		夹线杆护盖螺钉SM3/16"×28 L=7		Screw SM3/16"×28 L=7		1	
40	10112023		回油管夹		Oil tube clamp		1	
41	10121007		回油管组件		Oil return tube component		1	
42	10121008		回油管		Oil return tube		1	
43	10112025		油线固定板		Oil line fixing plate		1	
44	101S11010		压板板手螺钉SM9/64"x40 L=11		Screw SM9/64"x40 L=11		2	
45	10123010		油线(厚料)		Oil wick (-H)		1	
46	1443000900		油量检测装置组件		Oil measuring device		1	
47	N01009		螺母		Nut		1	
48	W02003		弹性垫圈		Washer		1	
49	14012006		油量检测装置固定板		Pull spring fixing plate		1	
50	14011004		油量检测罩壳		Shell		1	
51	14002005		导向柱		Guide pillar		1	
52	14011002		浮子		Float		1	
53	H05009		开口挡圈6		Ring 6		1	
54	101S11026		油泵安装螺钉SM15/64"×28 L=9		Screw SM15/64"×28 L=9		2	
55	11412200200		油标		Oil mark		1	

8



8. 自动倒送料、感应抬压脚 部件/Automatic Reverse Feed Components

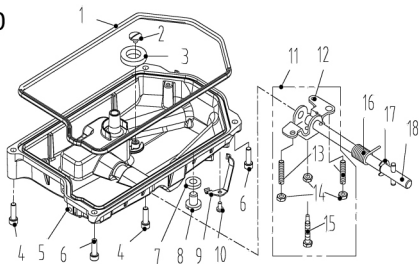
序号 NO.	公司件号 Part NO.	名称 PartName	零件描述 Description	数量 Number
1	101511004	挑线杆护罩螺钉SM3/16*×28 L=7	Screw SM3/16*×28 L=7	2
2	1443000700	LED灯组件	LED Light asm	1
3	1443000400	双开关组件	Double switch components	1
4	131502001	螺钉 3/16×28 L=6.5	Screw 3/16×28 L=6.5	4
5	116530003	拾牙叉固定螺钉SM15/64*×28 L=14.5	Screw SM15/64*×28 L=14.5	2
6	W02004	GB/T93-1987弹簧M6	Spring washer M6	2
7	11628005	拾牙叉固定螺钉垫圈	Washer	2
8	1443001000	自动倒送料电磁铁	Auto reverse feed solenoid	1
9	11326005	销子	Pin	1
10	113829001	R形弹性开口销p1.5	Cotter pin	1
11	11322040	橡胶垫片	rubber plunger	1
12	1132B031	垫片	Washer	1
13	H05014	GB/T896-1986开口挡圈	Snap ring	1
14	11227006	自动倒送料连杆弹簧	Plunger spring	1
15	13812034	自动倒送料连杆	Auto reverse feed connecting rod	1
16	141516014	曲柄垫螺母SM11/64*×40	Nut SM11/64*×40	2
17	141520004	曲柄垫螺钉SM11/64*×40	Hinge Screw SM11/64*×40	1
18	112516007	曲柄长螺母SM1/4*×28	Nut SM1/4*×28	1
19	14104005	自动倒送料曲柄	Auto reverse feed crank	1
20	112520001	曲柄长螺钉 SM1/4*×28	Hinge Screw SM1/4*×28	1
21	13812371	自动倒送料拉杆	Auto reverse feed pull shaft	1
22	14029003	轴用弹性挡圈(厚0.8mm)	External Circlips 7	1
23	11211005	尼龙扎带	Cable band	8
24	1443000800	短线头电磁铁组件	Thread trimmer solenoid asm.	1
25	14112002	短线头电磁铁支架	Bracket	1
26	101511026	油泵安装螺钉SM15/64*×28 L=9	Screw SM15/64*×28 L=9	2
27	N01001	螺母 M4	Nut M4	2
28	113822005	橡胶垫	Washer	1
29	112516006	螺母SM1/4*×40	Nut SM1/4*×40	1
30	W01013	GB/T97.1-1985垫圈4.5	Washer	2
31	14126001	短线头电磁铁销	pin	1
32	14105001	短线头连杆	rod	1
33	14127001	低位传感器	Lower sensor	1
34	141520001	倒送料(连杆)轴位螺钉	Screw	1
	1144NS20001	倒送料(连杆)轴位螺钉	Screw	1
35	141520003	轴位螺钉SM11/64*×40	Screw SM11/64*×40	1
36	14105002	辅助连杆	rod	1



9. 压料、自动抬压脚部件 / Presser Bar , Auto Lifter Components

序号NO.	公司件号	Part NO.	名称	PartName	零件描述	Description	数量	Number
1	101S11010		压脚扳手螺钉SM9/64"x40 L=11		Screw SM9/64"x40 L=11		1	
2	10128002		压脚扳手垫圈		Washer		1	
3	13811029		压脚扳手		Hand lifter		1	
4	O01004		O型圈		Rubber ring		1	
5	1441000200		压脚扳手凸轮部件		Hand lifter cam asm.		1	
6	131S20001		前杠杆螺栓		Screw		1	
7	10128016		螺栓销胶垫圈(薄)		Washer		2	
8	1441200300		前杠杆组件		Front lever assembly		1	
9	1441200400		抬压脚前杠部件		Lift front lever component		1	
10	14428002		垫圈5.5x1.3x0.8		Washer 5.5x1.3x0.8		1	
11	14412005		压脚升降板		Lifting plate		1	
12	H05003		GB/T896-1986 挡圈 5		Snap ring 5		2	
13	14412006		拉杆		Pull rod		1	
14	1441200700		松线板组件		Pine line roof asm.		1	
15	1441201800		松线板组件		Loose line roof asm.		1	
16	14036006		密封接头		Seal joint		1	
17	14029002		卡箍 Φ8		Circlip Φ8		1	
18	14022006		松线管密封胶套		Loose pipe sealing sleeve		1	
19	14029001		卡箍 Φ6		Circlip Φ6		1	
20	1442201000		松线管组件		Pull sleeve assembly		1	
21	140630006		松线管接头螺钉		Pull joint screw		1	
22	113S12001		螺母 SM3/16"x32		Nut SM3/16"x32		2	
23	14022007		松线管密封胶套		Sealing plug		1	
24	14012005		松线管上下压板		Wire presser		1	
25	113S11004		松线管压板螺钉M4x8		Screw M4x8		1	
26	14412009		松线杆		Loose lever		1	
27	131S20003		松线杆杆轴螺钉D=6.35		Loose lever screw D=6.35		1	
28	144S20002		松线板螺栓销		Wire release plate pin		1	
29	H05002		GB/T896-1986 挡圈3		Snap ring		1	
30	1441201000		松线管上支架组件		Loose wire catheter support assembly		1	
31	113S11004		松线管压板螺钉M4x8		Screw M4x8		1	
32	14012010		松线管上压板		Wire release press plate		1	
33	14412010		松线管上支架		Wire release bracket upper		1	
34	101S11001		后盖板螺钉		Screw		2	
35	14427002		松线板后位弹簧		Spring		1	
36	114S11015		圆头力螺钉 SM9/64"x40		Screw SM9/64"x40		1	
37	13108001		挡圈		Ring		1	
38	14412011		抬压脚杠杆		Presser foot lever		1	
39	14412012		膝控制压脚后杠		Knee control lever rear lever		1	
40	101S20004		抬压脚后杠杆轴销		Lift rod screw		1	
41	14422006		抬压脚后杠杆橡胶垫		Rubber pad		1	
42	144S20004		后杠杆轴位螺钉		Hinge screw		1	
43	14412015		自动抬压脚后杠		Knee lifter back lever		1	
44	14428001		平垫圈8.2x15x1		Flat washer 8.2x15x1		1	
45	137S20001		抬压脚前杠轴位螺钉		Axial screw		1	
46	N01012		GB/T6170-1986螺母M6(精制)		Nut M6		1	
47	14402006		自动抬压脚连接杆		Knee lifter connecting rod		1	
48	14411001		塑料滑轮		Wheel		1	
49	11329020		挡圈5		Snap ring 5		1	
50	12928008		平垫圈5.6x9.7x0.8		Wwasher 5.6x9.7x0.8		1	
51	14022017		抬压脚前杠密封帽		Seal cap		1	
52	114426001		电磁铁接头		Connector		1	
53	113S16004		法兰螺母M8		Flange nuts M8		1	
54	11322008		电磁铁上垫片		washer		1	
55	11443000200		抬压脚电磁铁组件		Solenoid asm.		1	
56	11443000700		抬压脚电磁铁组件(-H)		Solenoid asm (-H)		1	
57	101S11001		后盖板螺钉		Screw		4	
58	1311600100		抬压脚组件		Presser foot asm.		1	
59	1311600100		抬压脚组件(-H)		Presser foot asm. (-H)		1	
60	114011009		抬压脚螺钉 SM9/64"x40 L=10.5		Screw SM9/64"x40 L=10.5		1	
61	11402009		压杆		Presser bar		1	
62	10103012		压杆衬套		Presser bar bushing,lower		1	
63	10122112		压杆防油套		Pressure bar oil cover		1	
64	1440900200		压杆导架组件		Strut guide asm.		1	
65	14426002		压杆导架销		Push rod guide pin		1	
66	H05002		GB/T896-1986挡圈3		Snap ring		2	
67	101S15007		压杆导架螺钉 SM1/4"x40 L=8		Screw SM1/4"x40 L=8		1	
68	14409002		压杆导架		Presser bar guide bracket		1	
69	10102003		调压导杆		Press regulating guide bar		1	
70	10127023		调压弹簧		Press regulating spring		1	
71	11427033		调压弹簧(-H)		Press regulating spring (-H)		1	
72	1138NS30003		调压螺钉		Press regulating screw		1	
73	1138NS16005		调压螺母		Press regulating nut		1	
74	114428001		平垫圈5x10x0.8		Washer5x10x0.8		1	

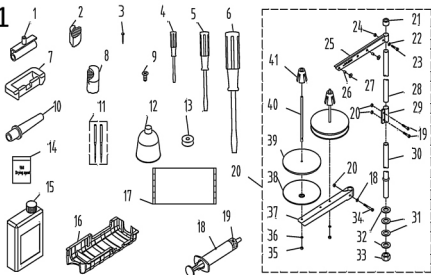
10



10. 油盘、膝控抬压脚部件/Oil Reservoir, Knee Lifter Components

序号NO.	公司件号	Part NO.	名称	PartName	零件描述	Description	数量	Number
1	14022001		油盘密封胶	Seal			1	
2	101511023		送料调节轴轴端螺钉	Screw			1	
3	10131001		油盘磁铁	Oil reservoir magnet			1	
4	S05242		油盘固定螺钉M6x40	Screw M6 L=40			2	
5	14001005		油盘	Oil reservoir			1	
6	S05240		油盘固定螺钉M6x20	Screw M6 L=20			2	
7	20528014		垫圈	Washer			1	
8	301511015		螺钉	Screw			1	
9	14013023		电线压板	Wire clamp			1	
10	113511004		松线管固定螺钉M4x8	Screw M4x8			1	
11	1401202700		抬压脚双向曲柄组件	Knee lifter crank asm			1	
12	10112027		抬压脚双向曲柄	Knee lifter crank			1	
13	S07020		双向曲柄限位调节螺钉M6x20	Screw M6 L=20			2	
14	101516004		双向曲柄限位调节螺母M6	Nut M6			3	
15	101512002		双向曲柄螺钉	Screw			1	
16	14027016		双向曲柄弹簧	Knee lifter spring			1	
17	H05010		GB/T896-1996挡圈11	Snap ring 11			1	
18	1400200100		抬压脚轴组件	Knee lifter shaft			1	

11



11. 机头附件/Machine Head Accessories

序号NO.	公司件号	Part NO.	名称	PartName	零件描述	Description	数量	Number
1	1011203100		机头连接轴组件	Hinge component			2	
2	14022022		机头座垫	Die cushion			2	
3	101530010		机头连接轴螺钉	Nail			4	
4	10131004		螺丝刀(小)	Screw driver small			1	
5	10131003		螺丝刀(中)	Screw driver medium			1	
6	20731047		螺丝刀(大)	Screw driver large			1	
7	10122060		机头连接轴座	Head connecting rubber cushion			2	
8	14022023		机头支架	Nose support			2	
9	101530014		木螺钉M4x20	Wood screw M4x20			6	
10	10111011		机头支柱	Machine head rest pin			1	
11	10117001		机针(14#)	Needle			4	
11	10117002		机针(21#)(厚料)	Needle (-H)			4	
12	20131039		漏斗	Funnel			1	
10118003			梭心	Bobbin			2	
13	10818501		梭心605.609大梭心(-HL)	Bobbin (-HL)			2	
13818002			梭心(1.3筒)(-P)	Bobbin (-P)			2	
14	20131075		干燥剂	Drying agent			4	
15	1381101200		油桶组件	Oiler component			1	
16	14411002		油盘托盘	Disk tray			1	
17	114131001		防尘罩	Dust cover			1	
18	11411029		注射器	Syringe			1	
19	11431038		进口黄油	Butter			0.003Kg	
20	1383100300		线架组件	Thread stand asm.			1	
21	20131019		线架杆面防护橡皮	Spool rest rod rubber cap			1	
22	S04050		螺钉M5 L=16	Screw M5 L=16			3	
23	W01047		垫圈M5	Washer M5			2	
24	N01034		螺母M5	Nut M5			4	
25	13831022		上线架过线杆	Spool rest arm upper			1	
26	10113011		过线圈(内)	Thread guide ring			2	
27	10113010		过线圈(外)	Thread guide ring			2	
28	13831019		线架杆上节	Spool rest rod upper			1	
29	13831021		线架杆接头	Spool rest rod joint			1	
30	13831020		线架杆下节	Spool rest rod lower			1	
31	10122106		橡胶垫圈	Spool rest rod rubber ring			2	
32	W01048		垫圈M16	Washer M16			2	
33	N02004		螺母M16	Spool rest rod nut M16			1	
34	S04051		螺钉M5	Spool rest arm lower screw M5			1	
35	N01034		螺母M5	Nut M5			2	
36	W02027		弹簧垫圈M5	Spring washer M5			2	
37	13831023		下线架过线杆	Spool rest arm lower			1	
38	13831024		铁盘	Spool rest			2	
39	20131010		铁盘垫	Spool rest cushion			2	
40	20131006		铁轴钉	Spool pin			2	
41	13831025		线团防尘罩	Spool retainer			2	

杰克缝纫机股份有限公司
杰克缝纫机
全球销量遥遥领先

公司地址：中国浙江省台州市椒江区三甲东大道东段1008号
NO.1008, DONGHAI AVENUE EAST, JIAOJIANG DISTRICT, TAIZHOU CITY, ZHEJIANG

邮编：318000

国内销售部：

电话：0086-0576-88177788 88177789

传真：0086-0576-88177758

国际贸易部：

电话：0086-0576-88177782 88177774

传真：0086-0576-88177787

免费售后服务电话：400-8876858

http://www.chinajack.com



请扫描下方二维码

www.chinajack.com

2019.11

资料如有更改，恕不另行通知，以实物为准。