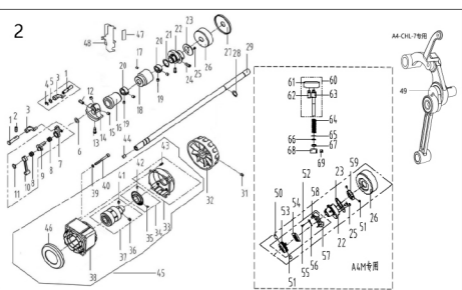


1. 机壳、外装分组件/Machine Frame & Miscellaneous Cover Components

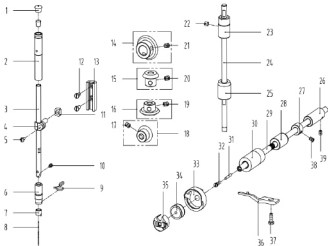
序号NO.	公司件号	Part NO.	名称	PartName	零件描述	Description	数量	Number
1	10151001		后盖板螺钉SM3/16*28 L=9		Screw SM3/16*28 L=9		3	
2	10122003		面板调节孔衬套		Rubber plug		2	
3	13837002		面罩铰链		Head card		1	
4	302591		面板(喷漆)		Face plate asm		1	
5	13813005		左线钩		Thread guide left		1	
6	10151007		右线钩螺钉SM1/64*40 L=6		Screw SM1/64*40 L=6		1	
7	13822006		面板垫圈		Face plate gasket		1	
8	10151027		防油板螺钉SM1/8*44 L=3.4		Screw SM1/8*44 L=3.4		1	
9	10412007		面部防油板		Face oil shield asm.		1	
	11412082		面部防油板(厚料)		Face oil shield asm.(H)		1	
10	10122013		针杆上衬套衬套		Rubber plug		1	
11	10122005		挑线连杆衬套		Rubber plug		1	
12	10122004		针杆曲柄衬套		Rubber plug		1	
13	10151004		挑线杆护罩螺钉SM3/16*28 L=7		Screw SM3/16*28 L=7		1	
14	13812018		挑线杆护罩		Thread take-up lever cover		1	
15	10151004		挑线杆护罩螺钉SM3/16*28 L=7		Screw SM3/16*28 L=7		1	
16	13512004		三孔线钩		3-hole thread guide		1	
17	10122005		挑线连杆衬套		Rubber plug		1	
18	114511015		剃线刀螺钉SM3/64*40 L=6		Screw SM3/64*40 L=6		2	
19	11419001		剃线刀		Knife		1	
20	20722002		油塞		Rubber plug		1	
21	13822001		操作屏衬套		Rubber plug		2	
22	13822007		后盖板垫圈		Side plate gasket		1	
23	302592		后盖板(喷漆)		Side plate		1	
24	10151001		后盖板螺钉SM3/16*28 L=9		Screw SM3/16*28 L=9		11	
25	13811031		一体机电控制盒(赫麦克斯)		Electronic control box		1	
26	W01009		GB/T971-1985垫圈 5		Washer 5		2	
27	114513001		直驱电机螺钉M5*20		Screw M5*20		3	
28	114530001		螺钉(内六角)M5*25		Screw M5*25		1	
	13833010		一体机电控制盒(瑞星)		Electronic control box(Q)		1	
29	13833013		一体机电控制盒(赫麦克斯)		Electronic control box		1	
	11383300100		一体机电控制盒(赫麦克斯)(A4+)		Electronic control box(A4+)		1	
30	10122006		送料调节孔衬套		Rubber plug		1	
31	10122007		下轴工艺衬套		Rubber plug		1	
32	138505001		操作面板螺钉		Screw		2	
	13833012		一体机电控制面板组件(瑞星)		Control panel(Q)		1	
	13833015		一体机电控制面板组件(赫麦克斯)		Control panel		1	
33	113833002500		一体机电控制面板组件(瑞星)(A4M-Q)		Control panel (A4M-Q)		1	
	11383300200		一体机电控制面板组件(赫麦克斯)(A4+)		Control panel(A4+)		1	
34	101512001		磁瓶支柱		Machine head stud		2	
35	13822002		装饰条		Decorative article		1	
36	10151004		螺钉		Screw		2	
37	1411300400		小夹线器组件		Thread tension asm.		1	
38	141516019		小夹线器螺母		Thread tension nut		1	
39	11227001		小夹线弹簧		Thread tension spring		1	
40	14112017		小夹线盘		Thread tension disk		2	
41	13810008		小夹线器立柱		Thread tension post		1	
42	138508006		小夹线器固定螺钉SM3/16*28 L=7		Screw SM3/16*28 L=7		1	
43	13812066		过线板		Thread tension guide plate		1	
44	11322014		橡皮塞(三孔)		Rubber plug		1	
45	10113004		右线钩		Thread guide right		1	
46	10151007		右线钩螺钉SM1/64*40 L=6		Screw SM1/64*40 L=6		1	
47	10151010		左线钩螺钉SM15/64*28 L=10.5		Screw SM15/64*28 L=10.5		1	
48	11326012		松线钉		Tension release pin		1	
49	10122014		挑线簧调节座O型圈		Rubber ring		1	
50	101515005		挑线簧固定螺钉SM3/64*40 L=5.5		Screw SM3/64*40 L=5.5		1	
51	10127001		挑线簧		Thread take-up spring		1	
	10127031		挑线簧(厚料)		Thread take-up spring(H)		1	
52	10103011		挑线簧调节座		Thread tension base		1	
53	14112015		挑线盘		Thread tension disk		2	
54	14112016		挑线盘		Disk stopper		1	
55	141530001		挑线器立柱		Thread tension post		1	
56	10127002		挑线弹簧		Thread tension spring A		1	
57	11427050		挑线弹簧(厚料)		Thread tension spring A (H)		1	
58	10122007		挑线制动板		Thread disk rotating stopper		1	
59	141516013		挑线螺母		Thread tension nut		1	
	1411000300		挑线器组件		Thread tension asm.		1	
	1411000500		挑线器组件(厚)		Thread tension asm.(H)		1	
60	1383002700		电子夹线器组件		Nest less e-device		1	
61	207514007		螺钉M4X5		Screw M4X5		1	
62	11413011		固定式摆线钩		Thread guide		1	
63	401516001		螺母SM3/64*40		Nut SM3/64*40		1	
64	10151002		限位器螺钉SM1/64*40 L=5.5		Screw SM1/64*40 L=5.5		1	
65	13812019		限位器座		Ruler stop seat		1	
66	104517002		针板螺钉(进口) SM1/64*40		Screw SM1/64*40		2	
	11414006		针板		Needle plate		1	
	11315001		针板(厚料)		Needle plate(H)		1	
67	10815001		针板(-7)		Needle plate(-7)		1	
	13615003		针板(HL-7)		Needle plate (HL-7)		1	
68	10115002		侧板		Side plate		1	
69	10127009		侧板簧		Side plate spring		1	
70	10151019		侧板螺钉SM3/32*56 L=2		Screw SM3/32*56 L=2		2	
71	13812109		侧盖固定板		Fixed plate		1	
72	s04010		GB/T65-1985螺钉M4X5.5		Screw M4X5.5		1	
73	1405018		GB/T896-1986卡簧3.5		Snap ring3.5		1	
74	138530007		侧盖螺钉		Screw		1	
75	12922015		橡皮塞		Rubber plug		1	
76	13826009		薄片定位销		Pin		1	
77	114130006		无线通信模块(A4+)		RF wireless data communication module		1	
78	14011009		一体机电后侧盖(赫麦克斯)		Side cover		1	
	113833001600		一体机电控制盒(赫麦克斯)		Electronic control box		1	
79	113833007400		一体机电控制盒(赫麦克斯)(A4+)		Electronic control box(A4+)		1	
80	1138330074		二维码标签(A4+)		Label paper(A4+)		1	
81	195244003		U型线夹(A4+)		U clip(A4+)		1	



2. 上轴挑线分组件/Main Shaft & Thread Take-up Components

序号 NO.	公司件号	Part NO.	名称	PartName	零件描述	Description	数量	Number
1	10126001		挑线连杆销 (厚料)	Thread take-up connecting rod pin (H)	Thread take-up connecting rod pin (H)		1	
	10126013		挑线连杆销	Thread take-up connecting rod pin	Thread take-up connecting rod pin		1	
2	101515001		上轴螺钉 3M15/64"x28 L=15	Screw SM15/64"x28 L=15	Screw SM15/64"x28 L=15		1	
3	10105001		挑线连杆 (厚料)	Thread take-up connecting rod (H)	Thread take-up connecting rod (H)		1	
	10105010		挑线连杆	Thread take-up connecting rod	Thread take-up connecting rod		1	
4	H05013		2#/1896-1989挡圈	Snap ring	Snap ring		1	
5	10128010		垫片	washer	washer		1	
6	10120003		针杆自料护板	Needle bar crank protecting plate	Needle bar crank protecting plate		1	
7	1013800100		挑线杆分组件	Thread take-up lever asm.	Thread take-up lever asm.		1	
	1013800200		挑线杆分组件 (厚料)	Thread take-up lever asm. (H)	Thread take-up lever asm. (H)		1	
8	10124001		挑线杆滚针轴承	Needle bearing	Needle bearing		2	
	1010012		挑线曲柄分组件	Thread take-up crank	Thread take-up crank		1	
9	101000400		挑线曲柄分组件 (厚料)	Thread take-up crank (H)	Thread take-up crank (H)		1	
	1010010		挑线曲柄分组件 (H-M)	Thread take-up crank (H-M)	Thread take-up crank (H-M)		1	
10	10105002		针杆连杆	Needle bar connecting rod	Needle bar connecting rod		1	
11	101517001		挑线曲柄螺钉 (左旋)	Screw	Screw		1	
12	101515004		针杆自料固定螺钉 3M9/32"x28 L=16	Screw SM9/32"x28 L=16	Screw SM9/32"x28 L=16		1	
13	101510003		针杆自料固定螺钉 3M9/32"x28 L=16	Screw SM9/32"x28 L=16	Screw SM9/32"x28 L=16		1	
14	10404001		针杆曲柄	Needle bar crank	Needle bar crank		1	
	10404035		针杆曲柄 (厚料)	Needle bar crank (H)	Needle bar crank (H)		1	
15	101515002		送料轴挡圈螺钉 3M1/4"x40 L=6	Screw SM1/4"x40 L=6	Screw SM1/4"x40 L=6		2	
16	1040300200		上轴前轴套组件	Main shaft bushing front	Main shaft bushing front		1	
17	101515006		送料轴螺钉 3M15/64"x28 L=7	Screw SM15/64"x28 L=7	Screw SM15/64"x28 L=7		1	
18	12203002		主轴中轴套	Main shaft bushing mid	Main shaft bushing mid		1	
19	101514001		上轴中套固定螺钉	Screw	Screw		4	
20	10108001		上轴挡圈	Main shaft thrust collar	Main shaft thrust collar		2	
21	H03002		挡圈20	Snap ring 20	Snap ring 20		1	
	1010014		送料偏心轮	Feed eccentric cam	Feed eccentric cam		1	
22	400006		送料偏心轮 (厚料)	Feed eccentric cam (H)	Feed eccentric cam (H)		1	
	400811		送料偏心轮 (H-M)	Feed eccentric cam (H-M)	Feed eccentric cam (H-M)		1	
	104610004		送料偏心轮 (A4M)	Feed eccentric cam (A4M)	Feed eccentric cam (A4M)		1	
23	1012017		送料偏心轮盖板	Cover plate	Cover plate		1	
	10812002		送料偏心轮盖板 (H-M)	Cover plate(H-M)	Cover plate(H-M)		1	
	104612002		偏心轮盖板 (A4M)	Cover plate(A4M)	Cover plate(A4M)		1	
24	10151013		送料偏心轮螺钉 3M1/4"x40 L=13	Screw SM1/4"x40 L=13	Screw SM1/4"x40 L=13		2	
25	101510003		护针片螺钉 3M9/64"x40 L=5	Screw SM9/64"x40 L=5	Screw SM9/64"x40 L=5		2	
26	10803002		上轴后轴套	The rear axle sleeve	The rear axle sleeve		1	
	101803009		上轴后轴套 (A4M)	The rear axle sleeve(A4M)	The rear axle sleeve(A4M)		1	
27	10121015		上轴后套挡油密封	Oil seal	Oil seal		1	
28	H03001		2#/1894, 1-1989挡圈15	Snap ring 15	Snap ring 15		1	
29	10802060		上轴	Main shaft	Main shaft		1	
	101802013		上轴 (A4M)	Main shaft (A4M)	Main shaft (A4M)		1	
31	510009		螺钉	Screw	Screw		2	
32	302830		手轮 (喷漆)	Handwheel	Handwheel		1	
	104635001		手轮 (A4M)	Handwheel (A4M)	Handwheel (A4M)		1	
33	1083300600		电机罩壳组件 (配瑞星)	Motor cover asm(Q)	Motor cover asm(Q)		1	
	1083300700		电机罩壳组件 (配赫麦克斯)	Motor cover asm	Motor cover asm		1	
34	1083300900		电机壳组件 (配瑞星)	Motor grating sensor asm	Motor grating sensor asm		1	
	1083300500		电机壳组件 (配赫麦克斯)	Motor grating sensor asm(Q)	Motor grating sensor asm(Q)		1	
35	GB/T77-2000		内六角平端固定螺钉M3×4	Screw M3×4	Screw M3×4		1	
36	GB/T77-2000		内六角平端固定螺钉M5×6	Screw M5×6	Screw M5×6		1	
37	1083300400		电机转子总成	Motor rotor	Motor rotor		1	
	10833002		电机定子总成 (配瑞星)	Motor stator(Q)	Motor stator(Q)		1	
38	10833003		电机定子总成 (配赫麦克斯)	Motor stator	Motor stator		1	
39	GB/T93-1987		弹簧5	Spring washer 5	Spring washer 5		4	
40	GB/T70.1-2000		内六角圆柱头螺钉M5×50 8.8级	Screw M5×50	Screw M5×50		4	
41	GB/T78-2000		内六角锥端固定螺钉M5×8	Screw M5×8	Screw M5×8		1	
42	GB/T78-2000		内六角锥端固定螺钉M3×4	Screw M3×4	Screw M3×4		1	
43	GB/T9074.8		一十字槽小圆头螺钉组合件M3×8	Screw	Screw		6	
44	10122012		上轴孔塞	Rubber plug	Rubber plug		1	
45	10833050		20-80A-25A充电伺服电机 (瑞星)	Motor	Motor		1	
	10833051		20-80A-25A充电伺服电机 (瑞星)	Motor(Q)	Motor(Q)		1	
46	10810060		电机绝缘防护罩	Motor insulation shield	Motor insulation shield		1	
47	14123001		机油罩油杯	Oil cotton	Oil cotton		1	
48	1412004		机油罩	Oil shield	Oil shield		1	
49	1013800300		挑线杆大组件	Thread take-up lever asm.	Thread take-up lever asm.		1	
50	20751018		螺钉M5×10	Screw M5×10	Screw M5×10		2	
51	510002		内六角圆端固定螺钉M5×5	Screw M5×5	Screw M5×5		3	
52	10461000300		连接套组件	Connecting sleeve asm	Connecting sleeve asm		1	
53	104625001		棘轮	Ratcheting	Ratcheting		1	
54	104609001		棘爪	Pawl	Pawl		1	
55	207520005		开槽圆柱头轴位螺钉	screw	screw		1	
56	104627003		弹簧	Spring	Spring		1	
57	104610003		连接套	Connecting sleeve	Connecting sleeve		1	
58	P03047		弹性圆柱销 2.5×10	Elastic round pin 2.5×10	Elastic round pin 2.5×10		3	
59	114608003		偏心轮挡圈	Eccentric cam thrust collar	Eccentric cam thrust collar		1	
60	1046100200		按钮盖组件	Button cap asm	Button cap asm		1	
61	/		按钮盖	Button cap	Button cap		1	
62	104626001		导向销	Guide pin	Guide pin		1	
63	104602001		调节轴	Adjusting shaft	Adjusting shaft		1	
64	20727004		弹簧	Spring	Spring		1	
65	20728001		垫片	Washer	Washer		1	
66	010127		O型圈	O Ring	O Ring		1	
67	20722005		油封	Gasket	Gasket		1	
68	104608002		限位挡圈	Limit collar	Limit collar		1	
69	207514007		螺钉M4×6	Screw M4×6	Screw M4×6		1	

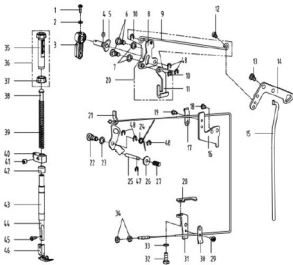
3



3. 针杆、竖轴、下轴部件/Needle bar, Upright Shaft & Hook Driving Shaft Components

序号 NO.	公司件号 Part NO.	名称 PartName	零件描述 Description	数量 Number
1	10122013	针杆上衬套孔塞	Rubber plug	1
2	10103009	针杆上衬套	Needle bar bushing upper	1
3	11402039	针杆	Needle bar	1
	10102021	针杆 (厚料)	Needle bar (H)	1
4	10138002	针杆座接柱	Needle bar connecting rod	1
5	101511005	螺钉 SM9/64"x40 L=6	Screw SM9/64"x40 L=6	1

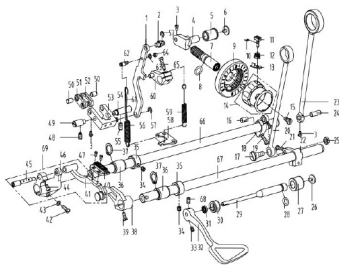
6	10103010 11303023	针杆下衬套 针杆下衬套(厚料)	Needle bar bushing lower Needle bar bushing lower(H)	1 1
7	10113002 11412063	针杆线勾 针杆线勾(厚料)	Needle bar thread guide Needle bar thread guide(H)	1 1
8	10117001 10117002	机针(14#) 机针(OP×5#1)(厚料)	Needle Needle(H)	1 1
9	101413001 10113009	针杆下衬套线勾 针杆下衬套线勾(厚料)	Lower bushing thread guide Lower bushing thread guide(H)	1 1
10	104511006 110109001	波针螺钉(进口) SM1/8"×44 L=4.5 针杆进液料滑块	Screw SM1/8"×44 L=4.5 Slide block	1 1
11	101511008	滑轨导轨螺钉SM11/84"×40 L=8	Screw SMT1V64"×40 L=8	2
12	10109002	针杆接头滑块导轨	Needle bar guide	1
13	10425004	上轴全齿轮	Upper shaft bevel gear	1
14	10425003	上轴上全齿轮	Upper small bevel gear asm	1
15	10425002	上轴下全齿轮	lower large bevel gear asm	1
16	101515014	齿轮螺钉SM1/4"×40 L=7	Screw SM1/4"×40 L=7	2
17	10425001	下轴全齿轮	Hook drive shaft bevel gear	1
18	101515014	齿轮螺钉SM1/4"×40 L=7	Screw SM1/4"×40 L=7	2
19	101515014	齿轮螺钉SM1/4"×40 L=7	Screw SM1/4"×40 L=7	2
20	101515014	齿轮螺钉SM1/4"×40 L=7	Screw SM1/4"×40 L=7	2
21	101515014	齿轮螺钉SM1/4"×40 L=7	Screw SM1/4"×40 L=7	2
22	113511036	一字开槽紧定螺钉SM15/64"×28 L=4.7	Screw SM15/64"×28 L=4.7	1
23	10403020	竖轴上轴套	Upright shaft bushing upper	1
24	10102007	竖轴	Upright shaft	1
25	10403013	竖轴下轴套	Upright shaft bushing lower	1
26	10403019	下轴后轴套	Hook driving shaft bushing back	1
27	10108002	下轴挡圈	Hook driving shaft snap ring	1
28	11303021	下轴中套	Lower shaft middle bushing	1
29	13802061	下轴	Hook driving shaft	1
30	11303001	下轴前轴套	Hook driving shaft bushing front	1
31	10123009	下轴阻油芯	Oil wick	1
32	101530005	下轴阻油螺钉	set screw	1
	11418003	广濂中厚料波梭(扩大缝织范围)	Hook asm (Hirose)	1
	11418007	精品波梭(国产)	Hook asm (China)	1
33	11418002	德菱有底巴厚料波梭(方搭梭)	Hook asm (China Desheng) (H)	1
	11418004	广濂厚料波梭(新)(有底巴)	Hook asm (Hirose) (H)	1
	13618003	大波梭 (HL-7)	Hook asm (HL-7)	1
34	10118003	梭心	Bobbin	1
	101819501	梭心 (HL-7)	Bobbin (HL-7)	1
	11218504	梭壳	Bobbin case asm.	1
35	13618001	梭壳 (HL-7)	Bobbin case asm. (HL-7)	1
	10112016	梭梭定位钩	Finger postioner	1
36	10112032	梭梭定位勾(厚料)	Finger postioner(H)	1
37	116511005	牙圈曲柄螺钉 SM1/84"×40 L=13	Screw SMT1V64"×40 L=13	1
38	101511012	下轴挡圈螺钉 SM11/84"×40 L=4.8	Screw SMT1V64"×40 L=4.8	2
39	113514020	下轴后套螺钉SM11/84"×40 L=6	Screw SMT1V64"×40 L=6	1



4. 压料、自动抬压脚分组件/Presser Bar , Auto Lifter Components

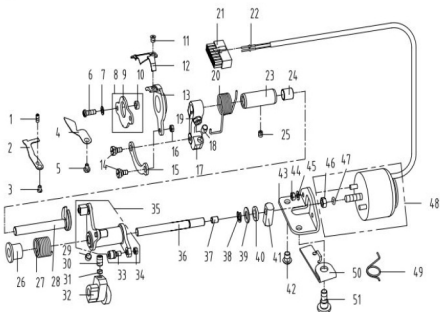
序号NO.	公司件号	Part NO.	名称	PartName	零件描述	Description	数量	Number
1	101S11010		压脚扳手螺钉SM3/64"x40 L=11		Screw SM3/64"x40 L=11		1	
2	1012B002		压脚扳手螺钉垫圈		Washer		1	
3	13811029		压脚扳手		Hand lifter		1	
4	001004		O型圈		Rubber ring		1	
5	1381000200		压脚扳手凸轮分组件		Hand lifter cam asm.		1	
6	101S20001		后杠杆轴销		Screw		2	
7	1012B015		轴销橡胶垫圈(厚)		Washer (H)		2	
8	1381203000		抬压脚前杠杆分组件		Lift front lever component		1	
9	10112013		抬压脚拉杆		Knee lifter pull rod		1	
10	H05003		Φ8/1096-1996挡圈 5		Snap ring		2	
11	10112010		压脚升降板		Lifting plate		1	
12	101S20004		抬压脚拉杆螺钉SM3/16"x32		Hinge Screw SM3/16"x32		1	
13	101S20003		后杠杆轴销螺钉SM15/64"x28		Hinge screw SM15/64"x28		1	
14	12812033		抬压脚后杠杆		Knee lifter back lever		1	
15	13812028		抬压脚限位杆		Knee lifter connecting rod		1	
16	11212009		松线导管上支架		Wire release bracket upper		1	
17	11212008		松线导管压板		Wire release press plate		1	
18	101S11004		油管压板螺钉SM3/16"x28 L=7		Screw SM3/16"x28 L=7		1	
19	113S11004		松线导管压板新螺钉M4x8		Screw M4x8		1	
20	1381203200		抬压脚前杠杆组件		Knee lifter lever asm		1	
21	11381201100		松线顶板组件		Wire release plate asm		1	
22	101S20002		松线顶板轴销		Wire release plate pin		1	
23	1012B015		轴销橡胶垫圈(厚)		Washer(H)		1	
24	11427009		松线顶板复位簧		Reset spring		1	
25	10126003		松线轴销		Thread release supporting pin		1	
26	1012B001		松线轴销垫片		washer		1	
27	10127003		松线轴销弹簧		Spring		1	
28	10112022		管套油管压板		Tube press plate		1	
29	113S11004		松线导管压板新螺钉M4x8		Screw M4x8		1	
30	11212008		松线导管压板		Wire presser A		1	
31	11312001		松线导管下支架		Wire release bracket lower		1	
32	116530003		抽牙叉固定螺钉SM15/64"x28 L=14.5		Screw SM15/64"x28 L=14.5		1	
33	W02004		弹性垫圈		Spring washer		1	
34	113S12001		螺母 SM3/16"x32		Nut SM3/16"x32		2	

35	T38T1027	调压螺钉	Press regulating screw	1
	T138NS30003	调压螺钉 (厚)	Press regulating screw (H)	1
36	T38T102700	调压螺钉组件	Presser regulating screw nut asm.	1
37	T38T1028	调压螺母	Press regulating nut	1
	T138NS16005	调压螺母 (厚)	Press regulating nut (H)	1
38	10102003	调压导杆	Press regulating guide bar	1
39	T13827010	调压簧	Press regulating spring	1
	10127024	调压簧 (厚)	Press regulating spring (H)	1
40	T3809030	压杆导架	Presser bar guide bracket	1
41	101515007	压杆导架螺钉 5M1/4"x40 L=8	Screw 5M1/4"x40 L=8	1
42	10122112	压杆防油套	Pressure bar oil cover	1
43	10103012	压杆衬套	Presser bar bushing,lower	1
44	10102004	压杆	Presser bar	1
45	101511009	调压脚螺钉 5M3/64"x40 L=10.5	Screw 5M3/64"x40 L=10.5	1
46	T131600600	压脚组件	Presser foot asm	1
	T131600300	压脚组件 (厚)	Presser foot asm (H)	1
47	H05012	拉圈 4 (日标)	Snap ring	1
48	T1329020	拉圈 5	Snap ring	5



5. 送料分组件/Feed Mechanism Components

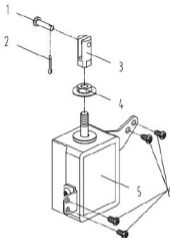
序号NO.	公司件号	Part NO.	名称	PartName	零件描述	Description	数量	Number
1	T1405015		倒送料连杆		Reverse feed connecting rod		1	
	T1305015		倒送料连杆 (-7)		Reverse feed connecting rod(-7)		1	
2	T1426021		倒送料连杆销		Connecting rod pin		1	
	T1326011		倒送料连杆销 (-7)		Connecting rod pin(-7)		1	
	10126016		倒送料连杆销 (HL-7)		Connecting rod pin (HL-7)		1	
3	10151005		螺钉 5M3/64"x40 L=6		Screw 5M3/64"x40 L=6		6	
4	T1401015		送料调节器		Feed regulator		1	
5	T1403043		送料调节器轴套		Feed regulator bushing		1	
6	10151023		送料调节器轴端螺钉3M3/16"x28 L=6.5		Screw 3M3/16"x28 L=6.5		1	
7	T3826005		标尺螺柱		Feed regulator stud		1	
8	10122016		送料调节器O形圈		Rubber ring		1	
	T3811008		固定表盘		Fixing dial plate		1	
	T3811008		固定表盘 (-7)		Fixing dial plate(-7)		1	
	T3811013		固定表盘 (H-M)		Fixing dial plate(H-M)		1	
10	H05018		盖/1898-1998挡圈3.5		Snap ring 3.5		1	
11	T3811009		标尺按钮		Dial plate button		1	
12	T3827002		按钮复位簧		Spring		1	
13	T3812010		上限位片		Upper limit patch		1	
14	T381100700		标尺按钮组件		Knob component		1	
15	10151022		送料驱动轴端螺钉3M3/16"x28 L=18		Screw 3M3/16"x28 L=18		1	
16	10126011		送料曲柄销		Feed rocker crank pin		1	
17	101520005		拍牙连杆轴位螺钉 3M3/32"x28		hinge Screw 3M3/32"x28		1	
18	10104002		送料曲柄 (A4, HL-7)		Feed rocker shaft crank		1	
	T1304010		送料曲柄 (-7)		Feed rocker shaft crank(-7)		1	
19	10151016		送料曲柄螺钉3M3/16"x28 L=14		Screw 3M3/16"x28 L=14		1	
20	400093		拍牙连杆		Connecting rod		1	
21	10151016		送料曲柄螺钉 3M3/16"x28 L=14		Screw 3M3/16"x28 L=14		1	
22	10104004		拍牙驱动轴		Feed driving shaft crank		1	
	400091		送料连杆		Rocker shaft connecting rod		1	
23	T3805002		送料连杆(H-M, HL-7)		Rocker shaft connecting rod(H-M, HL-7)		1	
	400083		送料连杆 (-7)		Rocker shaft connecting rod(-7)		1	
	T14605001		送料连杆 (A4M)		Rocker shaft connecting rod (A4M)		1	
24	10126006		送料连杆销		Connecting rod pin		1	
25	101516003		拍牙连杆轴位螺母 3M3/32"x28		Hinge Screw 3M3/32"x28		1	
26	10151023		送料调节器轴端螺钉3M3/16"x28 L=6.5		Screw 3M3/16"x28 L=6.5		1	
27	T3803021		倒送料轴后盖		Reverse feed shaft bushing back		1	
28	T3822003		倒送料轴O形圈		Rubber ring		1	
29	T3802010		倒送料轴		Reverse feed shaft		1	
30	T3803020		倒送料轴中套		Reverse feed shaft bushing mid		1	
31	T3822056		倒送料轴中套油封		Mid bushing oil seal		1	
32	302665		倒送料轴手 (喷漆)		Reverse feed lever asm		1	
33	T38510010		内六角锥端固定螺钉MSXB		Screw MSXB		1	
34	101515002		送料轴端盖螺钉5M1/4"x40 L=6		Screw 5M1/4"x40 L=6		4	
35	10106003		送料轴挡圈		Feed rocker shaft snap ring		2	
36	10403015		轴套		Bushing		2	
37	H03001		GB/T394.1-1989挡圈 15		Snap ring 15		2	
38	10104003		拍牙驱动轴		Driving shaft crank		1	
	10804003		拍牙驱动轴 (厚, -7)		Driving shaft crank (H,-7)		1	
39	10151020		拍牙驱动轴螺钉3M1/64"x40 L=10.5		Screw 3M1/64"x40 L=10.5		1	
	T1414002		送料牙		Feed dog		1	
40	T1414001		送料牙 (-7)		Feed dog (-7)		1	
	T1314001		送料牙 (兄弟款)		Feed dog(Brother type)(H)		1	
	T1414001		送料牙 (HL-7)		Feed dog (HL-7)		1	
41	T1380700300		牙架		Feed bar asm.		1	
42	10151016		送料曲柄螺钉3M3/16"x28 L=14		Screw 3M3/16"x28 L=14		1	
43	10128003		牙架应螺钉垫圈		Washer		1	
44	10151025		复位板螺钉3M1/64"x40 L=7		Screw 3M1/64"x40 L=7		1	
45	T126001		牙架销		Feed bar pin		1	
46	480095		牙架座		Feed bar bed.		1	
47	10151018		送料牙螺钉 3M1/8"x44 L=6		Screw 3M1/8"x44 L=6		2	
48	101515010		左轴螺钉 3M15/64"x28 L=10.5		Screw 3M15/64"x28 L=10.5		1	
49	10126009		送料推动板左销		Left pin		1	
50	10126007		短推动板连杆销		Connecting pin		2	
51	10109005		送料短推动板		Feed short shaking plate		2	
	T3505024		送料短推动板(H-M)		Feed short shaking plate(H-M)		2	
52	10109004		送料长推动板		Feed long shaking plate		2	
53	1400106000		推动板座分部件		shaking plate bed components		1	
54	10126010		送料推动板右销		Right pin		1	
55	T13514010		左轴螺钉3M15/64"x28 L=12		Screw 3M15/64"x28 L=12		1	
56	T1427011		送料调节器簧		Spring		1	
57	14029003		轴用弹性挡圈7 (厚0.8mm)		Snap ring 7		1	
58	T3812081		拉簧固定板		Pull spring fixing plate		1	
59	T3827006		倒送料拉簧		Reverse feed pull spring		1	
	T140402700		倒送料曲柄组件		Feed reverse crank asm.		1	
60	T130402800		倒送料曲柄组件 (-7)		Feed reverse crank asm(-7)		1	
61	T1321005		油管		Tube		1	
62	T14530007		弹簧垫圈螺钉		Screw		1	
63	W02015		GB/T93-1987 弹簧垫圈M4		Spring washer M4		1	
64	T14516004		螺母3M11/64"x40		Nut 3M11/64"x40		1	
65	501102		螺钉 3M3/16"x28 L=18		Screw 3M3/16"x28 L=18		1	
66	10102008		送料轴		Feed rocker shaft		1	
67	T3802001		拍牙轴		Feed driving shaft		1	
68	510035		盖/180-2000螺钉M5x8		Screw		1	
69	400689		牙架组件(成品)		Feed bar asm.		1	



6. 切线装置部件/Thread Trimmer Components

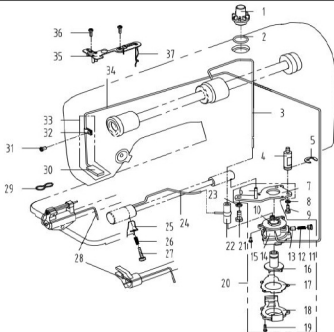
序号NO.	公司件号	Part NO.	名称	PartName	零件描述	Description	数量	Number
1	113515002		定刀调节螺钉SM1/8"x4 L=9.5		Screw SM1/8"x4 L=9.5		1	
2	11319001		定刀		Secant knife		1	
	113879001		定刀 (HL-7)		Secant knife (HL-7)		1	
3	113517001		螺钉SM9/64"x40		Screw SM9/64"x40		1	
4	11312003		护针片		Needle guard patch		1	
	113812008		护针片 (HL-7)		Needle guard patch (HL-7)		1	
5	201511009		螺钉SM9/64"x40 L=5.5		Screw SM9/64"x40 L=5.5		1	
6	113511001		螺钉SM11/64"x40 L=12		Screw SM11/64"x40 L=12		2	
7	10128003		牙架座螺钉垫圈		Washer		2	
8	1381207100		刀架压板组件		Knife bracket press component		1	
9	13812031		刀架压板		Knife bracket press		1	
10	13803012		短套		Short bushing		2	
11	113517002		滚动刀固定螺钉SM11/64"x40 L=4.4		Screw SM11/64"x40 L=4.4		2	
	11319002		滚动刀(薄料长槽)		Motorial knife		1	
12	11319003		滚动刀(厚料长槽)		Motorial knife (H)		1	
	113879003		滚动刀 (HL-7)		Motorial knife (HL-7)		1	
13	11307001		剪线刀架		Knife bracket		1	
	113807001		剪线刀架 (HL-7)		Knife bracket (HL-7)		1	
14	113520001		连杆螺钉SM11/64"x40		hinge Screw SM11/64"x40		2	
15	11312005		连杆		Connecting rod		1	
16	114516004		螺母SM11/64"x40		Nut SM11/64"x40		1	
17	11304001		曲柄		Crank		1	
18	11322001		驱动曲柄止动块		Crank driver stopper block		1	
19	S05004		螺钉M5x14		Screw M5x14		1	
20	11327001		弹簧		Spring		1	
21	11230004		14孔接线器		Plug		1	
22	11230005		导线插针		Pin		1	
23	11303003		切线轴套		Thread cutting shaft bushing		1	
	14103003		A5-0816剪线轴套 (HL-7)		Thread cutting shaft bushing (HL-7)		1	
24	11503005		驱动曲柄轴衬套		Crank drive shaft bushing		1	
25	113514020		螺钉SM11/64"x40 L=6		Screw SM11/64"x40 L=6		1	
26	11322002		弹簧盖		Spring cover		1	
27	11327002		弹簧		Spring		1	
28	11304002		切线凸轮轴套		Crank shaft		1	
29	101514001		上轴挡圈螺钉		Screw		1	
30	116514005		螺钉SM1/4"x40 L=10		Screw SM1/4"x40 L=10		2	
31	11309030		凸轮顶柱		Push rod		2	
32	11310004		凸轮		Cam		1	
	11310001		凸轮 (厚料)		Cam (H)		1	
33	11324001		滚柱		Rolling pin		1	
34	113516002		螺母SM11/64"x40		Nut SM11/64"x40		1	
35	1130400500		剪线驱动组件		Thread trimmer drive asm.		1	
36	11302002		轴		Shaft		1	
37	11322001		驱动曲柄止动块		Positioning block		1	
38	H05013		21/7896-1389挡圈		Snap ring		1	
39	10112003		针杆曲柄护板		Counter weight protecting		1	
40	11322003		电磁铁缓冲垫		Solenoid cushion rubber		1	
41	11309001		切线电磁铁顶销		Solenoid pin		1	
42	101511026		油泵变换螺钉SM15/64"x28 L=9		Screw SM15/64"x28 L=9		1	
43	11312006		切线电磁铁支架		Solenoid bracket		1	
44	N01005		螺母 M4		Nut M4		2	
45	W02002		21/793-1987 垫圈垫圈4		Washer		2	
46	112516006		螺母SM1/4"x40		Nut SM1/4"x40		1	
47	113822005		垫圈		Washer		1	
48	1383003300		剪线电磁铁组件		Thread trimmer solenoid asm.		1	
49	11327003		弹簧		Spring		1	
50	11312007		松线座		Thread release bed		1	
51	113520002		螺钉SM1/4"x28		Screw SM1/4"x28		1	

7



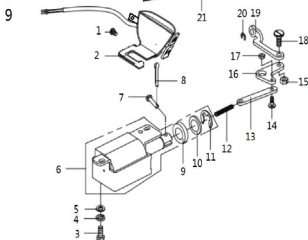
7. 自动抬压脚组件/Auto Lifter Components

序号NO.	公司件号 Part NO.	名称 PartName	零件描述 Description	数量 Number
1	11326005	销子	Pin	1
2	113829001	U形弹丝开口销 $\phi 1.5$	Cotter pin	1
3	11326006	电磁铁接头	Solenoid connector	1
4	113516004	法兰螺母M8	Flange nuts M8	1
5	1413001300	电磁铁组件	Solenoid asm.	1
5	11383001300	电磁铁组件 (厚)	Solenoid asm (H)	1
6	107511001	后盖板螺钉 3M3/16" $\times 28$ L=9	screw 5M3/16" $\times 28$ L=9	4



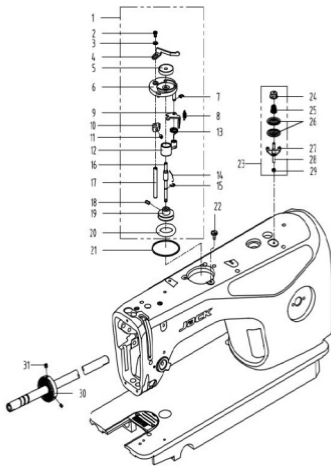
8. 润滑、油量检测组件/Oil Lubrication, Oil Measuring Components

序号NO.	公司件号 Part NO.	名称 PartName	零件描述 Description	数量 Number
1	11211004	油窗	Oil sight window	1
2	10122019	油窗O形圈	Rubber ring	1
3	14121001	上轴供油管	Main shaft oil tube	1
4	112530005	油泵连接螺栓	Oil pump connecting stud	1
5	11329010	开口挡圈10	Snap ring 10	1
6	10121001	供油管	Hook oil tube	1
7	10112020	油泵安装板	Oil pump installing base	1
8	W03002	弹簧	Spring washer	1
9	20952001	压铆螺钉SM11/64"×40 L=10.5	Screw SM11/64"×40 L=10.5	1
10	10103022	油泵体衬套	Oil pump bushing	1
11	101530007	柱塞螺钉	Plunger Screw	1
12	10127013	柱塞簧	Plunger spring	1
13	10122018	回油柱塞	Plunger	1
14	10120001	油泵体	Oil pump	1
15	504093	油泵螺钉	Screw	3
16	10111003	油泵叶轮	Oil pump impeller	1
17	10112021	油泵叶轮长套	Oil pump impeller cover	1
18	10111007	油泵盖	Lubricating oil pump cover	1
19	101530006	螺钉	Screw	3
20	1012000100	油泵分部件	Lubricating oil pump component	1
21	116530003	抽牙叉固定螺钉SM15/64"×28 L=14.5	Screw SM15/64"×28 L=14.5	1
22	10136001	供油管接头	Rubber joint	1
23	W02004	垫/193-1937弹簧垫	Spring Washer M6	1
24	13821015	短接供油管	Hook driving shaft oil tube	1
25	113821001	短接供油管 (H-7)	Hook driving shaft oil tube (H-7)	1
26	11312031	挡油罩	Oil shield cover	1
27	13827014	油量调节螺钉弹簧	Spring	1
28	113530001	油量调节螺钉	Screw	1
29	10423005	油线	Oil wick	1
30	10127015	回油毡夹	Oil felt clamp	1
31	10123006	回油毡	Oil felt felt	1
32	101511004	挑线杆护罩螺钉SM3/16"×28 L=7	Screw SM3/16"×28 L=7	1
33	10112023	回油管夹	Oil tube clamp	1
34	10121007	回油管部件	Oil return tube component	1
35	10121008	回油管	Oil return tube	1
36	10112025	油线固定板	Oil wick fixing plate	1
37	101511010	压铆扳手螺钉SM9/64"×40 L=11	Screw SM9/64"×40 L=11	2
38	10123010	油线	Oil wick	1



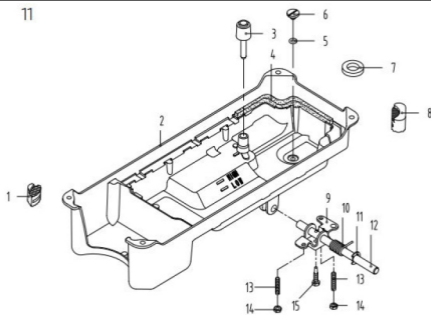
9. 自动倒送料开关、感应抬压脚组件/Automatic Reverse Feed Components

序号NO.	公司件号 Part NO.	名称 PartName	零件描述 Description	数量 Number
1	101511004	挑线杆护罩螺钉SM3/16"×28 L=7	Screw SM3/16"×28 L=7	1
2	1383004700	液开关组件	Auto reverse feed switch asm	1
3	116530003	抽牙叉固定螺钉SM15/64"×28 L=14.5	Screw SM15/64"×28 L=14.5	2
4	W02004	垫/193-1937弹簧垫	Spring washer M6	2
5	11628005	抽牙叉固定螺钉垫圈	Washer	2
6	1383003400	自动倒送料电磁阀	Auto reverse feed solenoid	1
7	1383003500	自动倒送料电磁阀 (-7)	Auto reverse feed solenoid(-7)	1
8	11326005	销子	Pin	1
9	113829001	U形弹性开口销Φ1.5	Cotter pin	1
10	11322040	橡胶垫片	rubber plunger	1
11	11328031	垫片	Washer	1
12	H05014	垫/1906-1906开口挡圈	Snap ring	1
13	11227006	自动倒送料连杆顶簧	Plunger spring	1
14	13812034	自动倒送料连杆	Auto reverse feed connecting rod	1
15	112520002	曲柄短螺钉SM11/64"×40	Hinge Screw SM11/64"×40	1
16	112516007	曲柄长螺母SM1/4"×28	Nut SM1/4"×28	1
17	11204003	自动倒送料曲柄	Auto reverse feed crank	1
18	112516008	曲柄短螺母SM11/64"×40	Nut SM11/64"×40	1
19	112520001	曲柄长螺钉 SM1/4"×28	Hinge Screw SM1/4"×28	1
20	11212029	自动倒送料拉杆	Auto reverse feed pull shaft	1
21	13812371	自动倒送料拉杆 (H-M)	Auto reverse feed pull shaft(H-M)	1
22	11329020	开口挡圈5	Snap ring 5	1
23	11211005	尼龙扎带	Cable band	6



10. 绕线器组件/ Bobbin Components

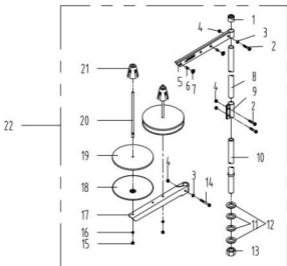
序号NO.	公司件号	Part NO.	名称	PartName	零件描述	Description	数量	Number
1	1383103900		绕线器组件		Bobbin winder asm.		1	
2	114511008		螺钉M4x6		Screw M4x6		1	
3	GB/T197.1		垫圈4		Washer		1	
4	10113030		压线控制板		Thread press control plate		1	
5	1011120		绕线衬垫		Winding pad		1	
6	13831101		绕线器装置底座		Bobbin winder bed		1	
7	GB/T 896-1986		开口挡圈5		Snap ring		1	
8	10127061		复位板弹簧		Spring		1	
9	13812110		调节板		Regulating plate		1	
10	10110030		绕线凸轮		Bobbin winder cam		1	
11	509045		螺钉		Screw		1	
12	1380510600		绕线器连杆组件		Bobbin winder connecting rod		1	
13	13827103		绕线复位簧		spring		1	
14	10127060		弹簧		Spring		1	
15	GB/T 896-1986		开口挡圈4		Snap ring		1	
16	13802111		绕线器主轴		Bobbin winder main shaft		1	
17	13802026		绕线凸轮轴		Bobbin winder cam shaft		1	
18	509103		绕线轮螺钉		Screw		2	
19	13831102		绕线轮		Bobbin winder wheel		1	
20	001110		O型圈		Ring		1	
21	11422062		密封垫		Washer		1	
22	114511003		螺钉SM3/16"×28 L=10		Screw SM3/16"×28 L=10		3	
23	1411300600		绕线张力器		Bobbin thread tension asm.		1	
24	141516019		夹线螺母		Thread tension nut		1	
25	11427006		小夹线弹簧		Spring		1	
26	1412015		夹线板		Thread tension disk		2	
27	1141022		夹线导板		Thread tension guide plate		1	
28	112513004		夹线螺钉		Screw		1	
29	114516001		螺母SM1/64"×40		Nut SM1/64"×40		1	
30	11435013		绕线器驱动轮		Driving wheel		1	
31	510009		螺钉M6×8		Screw M6×8		2	



11. 油盘、膝抬压脚分组件/Oil Reservoir, Knee Lifter Components

序号NO.	公司件号	Part NO.	名称	PartName	零件描述	Description	数量	Number
1	10122022		油盘垫垫		Oil reservoir rubber cushion		1	
2	13801020		油盘		Oil Reservoir		1	
3	10111005		抬压脚顶杆		Knee lifter push rod		1	
4	10122020		油盘垫		Oil Reservoir gasket		1	
5	10122021		O型圈		Rubber ring		1	
6	101511028		排油孔螺钉SM5/16"×24 L=7		Screw SM5/16"×24 L=7		2	
7	10131001		油盘磁铁		Oil reservoir magnet		1	
8	10122023		油盘支架		Oil reservoir rubber cushion		1	
9	10112027		抬压脚双向曲柄		Knee lifter crank		1	
10	10127016		双向曲柄弹簧		Knee lifter spring		1	
11	H05010		GB/T1976-1986挡圈10		Snap ring 10		1	
12	10102011		抬压脚轴		Knee lifter shaft		1	
13	101515012		双向曲柄限位调节螺钉M6 L=30		Screw M6 L=30		1	
14	101516004		双向曲柄限位调节螺母 M6 L=4		Nut M6 L=4		1	
15	101512002		双向曲柄螺钉 M6 L=26		Screw M6 L=26		1	

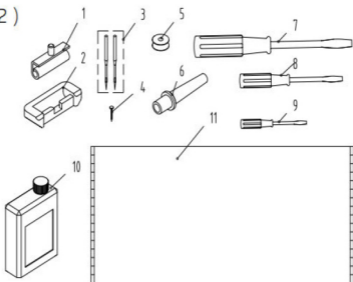
12 (1)



12. 机头附件(1)-线架组件/Machine Head Accessories(1)-Thread Stand Components

序号NO.	公司件号	Part NO.	名称	PartName	零件描述	Description	数量	Number
1	2013009		线架杆顶防护橡皮		Spool rest rod rubber cap		1	
2	504050		十字槽凹穴六角头螺栓 M5 L=16		Screw M5 L=16		3	
3	W01047		垫圈M5		Washer M5		2	
4	N01034		螺母 M5		Nut M5		4	
5	13831022		上线架过线杆		Spool rest arm upper		1	
6	1013011		过线圈(内)		Thread guide ring		2	
7	1013010		过线圈(外)		Thread guide ring		2	
8	13831019		线架杆上节		Spool rest rod upper		1	
9	13831021		线架杆接头		Spool rest rod joint		1	
10	13831020		线架杆下节		Spool rest rod lower		1	
11	10122106		橡胶垫圈		Spool rest rod rubber ring		2	
12	W01048		垫圈M16		Washer M16		2	
13	N02008		六角薄螺母 M16		Spool rest rod nut M16		1	
14	504051		十字槽凹穴六角头螺栓 M5		Spool rest arm lower screw M5		1	
15	N01034		螺母 M5		Nut M5		2	
16	W03002		弹簧垫圈 5		Spring washer 5		2	
17	13831023		下线架过线杆		Spool rest arm lower		1	
18	13831024		线盘		Spool rest		2	
19	2013010		线盘垫		Spool rest cushion		2	
20	2013006		线盘钉		Spool pin		2	
21	13831025		线团防松垫		Spool retainer		2	
22	1383100300		线架组件		Thread stand asm.		1	

12 (2)



12. 机头附件(2)/Machine Head Accessories(2)

序号NO.	公司件号	Part NO.	名称	PartName	零件描述	Description	数量	Number
1	101203100		机头连接钩组件		Hinge component		2	
2	10122060		机头连接钩垫		Head connecting rubber cushion		2	
3	10117021		机针(1#)		Needle (1#)		4	
4	10117022		机针(OP×5#21(厚料))		Needle (H)		4	
5	101530010		机头连接钩螺钉		Nail		4	
6	10118003		梭心		Bobbin		2	
7	10118501		大梭心		Big Bobbin		2	
8	10111011		机头支柱		Machine head rest pin		1	
9	20731047		螺丝刀(大)		Screw driver		1	
10	10131003		螺丝刀(中)		Screw driver,medium		1	
11	10131004		螺丝刀(小)		Screw driver,small		1	
12	1381101200		油箱部件		Oiler component		1	
13	114131001		防尘罩		Dust cover		1	

杰克缝纫机股份有限公司

杰克缝纫机

全球销量遥遥领先

公司地址(Address of Company) :

中国浙江省台州市椒江区三甲东海大道1008号

NO.1008, DONGHAI AVENUE EAST, JIAOJIANG DISTRICT, TAIZHOU CITY, ZHEJIANG

邮编(Zip Code) : 318000

国内销售部(Domestic Trade Department) :

电话(TEL) : 0086-0576-88177788 88177789

传真(FAX) : 0086-0576-88177758

国际贸易部(International Trade Department) :

电话(TEL) : 0086-0576-88177782 88177774

传真(FAX) : 0086-0576-88177787

服务热线 : 400-8876858

http://www.chinajack.com

资料如有更改,恕不另行通知,以实物为准。

You will be not informed if the file has been revised.Please set sample as standard.



请扫描下方二维码

www.chinajack.com

2019.11