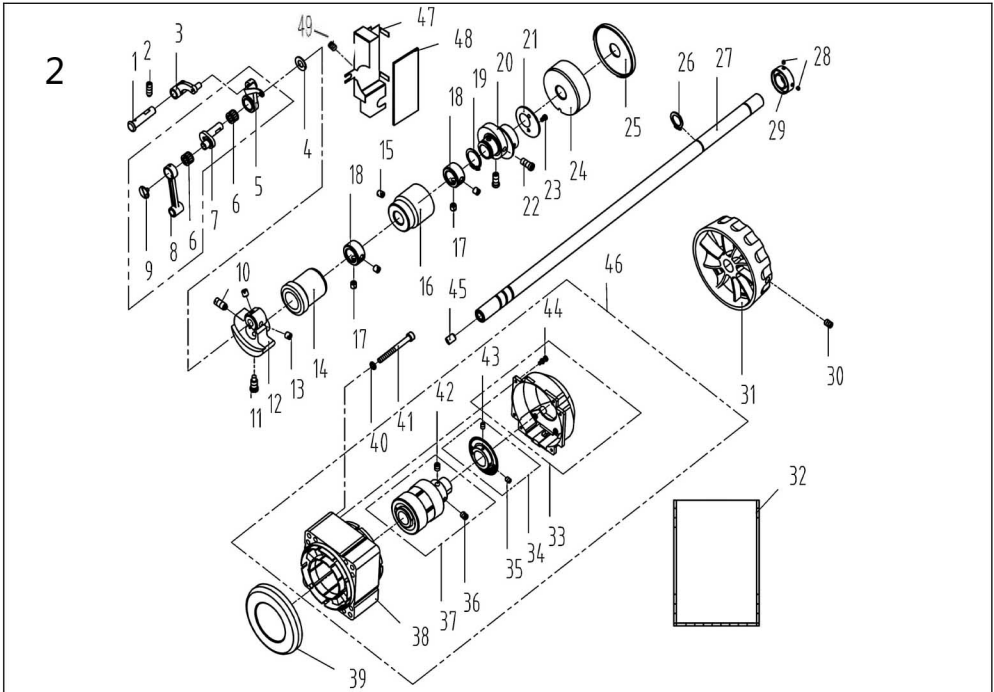


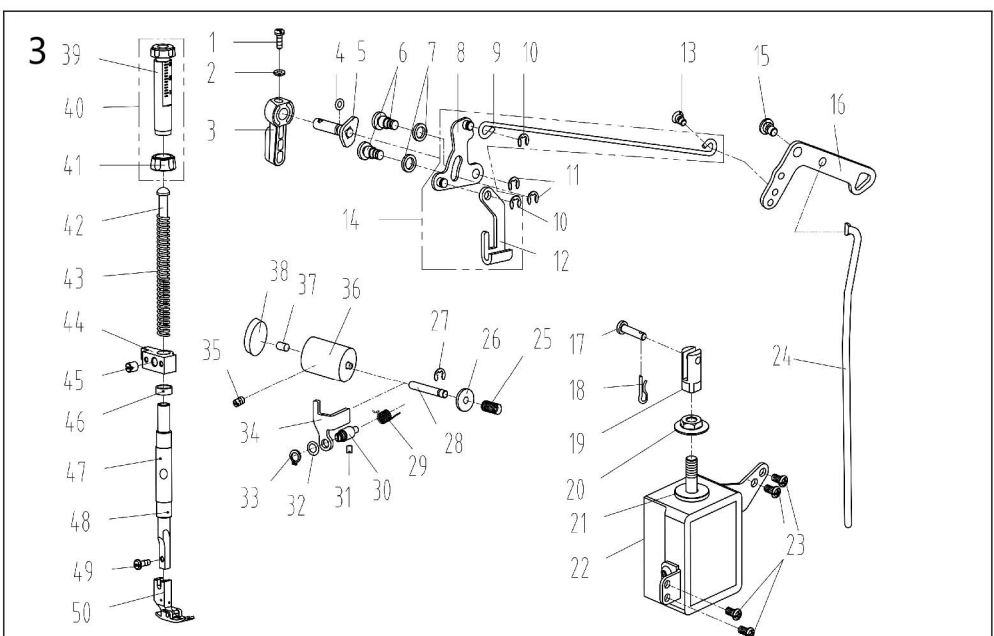
#### 1. 机壳、外装部件/Machine Frame & Miscellaneous Cover Components

序号NO.	公司件号	Part NO.	名称	PartName	零件描述	Description	数量	Number
1	101511001		后窗板螺钉 SM3/16"×28 L=9	Screw SM3/16"×28 L=9	Screw SM3/16"×28 L=9		15	
2	10122003		面板调节孔螺塞	Rubber plug	Rubber plug		2	
3	115037001		面板商标牌	Head card	Head card		1	
4	930000262		面板 (喷漆)	Face plate asm	Face plate asm		1	
5	115001003		面板	Face plate	Face plate		1	
6	13813005		左线钩	Thread guide left	Thread guide left		1	
7	115022002		面板垫	Face plate gasket	Face plate gasket		1	
8	101511027		防油板螺钉 SM1/8"×44 L=3.4	Screw SM1/8"×44 L=3.4	Screw SM1/8"×44 L=3.4		1	
9	113812019		面部防油板	Face oil shield asm.	Face oil shield asm.		1	
	11412082		面部防油板(厚料)	Face oil shield asm.(H)	Face oil shield asm.(H)		1	
10	11503002100		倒缝开关组件(三开关)(琦星)	Three switch components(Q)	Three switch components(Q)		1	
	11503000600		倒缝开关组件(三开关)(鲍麦)	Three switch components(Power Max)	Three switch components(Power Max)		1	
11	101511004		挑线杆护罩螺钉 SM3/16"×28 L=7	Screw SM3/16"×28 L=7	Screw SM3/16"×28 L=7		2	
12	13812018		挑线杆防护罩	Thread take-up lever cover	Thread take-up lever cover		1	
13	10122004		针杆曲柄螺孔塞	Rubber plug	Rubber plug		1	
14	10122005		挑线连杆销螺孔塞	Rubber plug	Rubber plug		1	
15	101511004		挑线杆护罩螺钉 SM3/16"×28 L=7	Screw SM3/16"×28 L=7	Screw SM3/16"×28 L=7		1	
16	13512004		三孔线钩	3-hole thread guide	3-hole thread guide		1	
17	10122005		挑线连杆销螺孔塞	Rubber plug	Rubber plug		1	
18	114511015		割线刀螺钉 SM9/64"×40 L=6	Screw SM9/64"×40 L=6	Screw SM9/64"×40 L=6		2	
19	11419001		割线刀	Knife	Knife		1	
20	138505001		操作面板螺钉	Screw	Screw		2	
21	13822001		操作屏孔塞	Rubber plug	Rubber plug		2	
22	21012018		油封垫	Oil sealing washer	Oil sealing washer		1	
23	21022007		油封	Rubber plug	Rubber plug		1	
24	114922003		后窗板垫	Side plate gasket	Side plate gasket		1	
25	114912001		后窗板	Side plate	Side plate		1	
26	930000236		后窗板 (喷漆)	Side plate	Side plate		1	
27	13812109		侧盖固定板	Fixed plate	Fixed plate		1	
28	504010		螺钉 M4×5.5	Screw M4×5.5	Screw M4×5.5		1	
29	H05002		卡簧3	Circlip 3	Circlip 3		1	
30	138530007		侧盖螺钉	Screw	Screw		1	
31	113811004		尼龙扎带	Cable band	Cable band		6	
32	115026002		电控罩壳销	Pin	Pin		1	
33	11503001400		一体机电控罩壳(鲍麦)	Servo motor box(Power Max)	Servo motor box(Power Max)		1	
	11503003100		一体机电控罩壳(鲍麦)(+)	Servo motor box(Power Max)(+)	Servo motor box(Power Max)(+)		1	
34	11503001300		一体机电控组件(鲍麦)	Electronic components(Power Max)	Electronic components(Power Max)		1	
35	11503001100		一体机电控组件(琦星)	Electronic components(Q)	Electronic components(Q)		1	
36	114513001		螺栓(内六角)M5×20	Screw M5×20	Screw M5×20		1	
37	114513001		螺栓(内六角)M5×20(鲍麦)	Screw M5×20(Power Max)	Screw M5×20(Power Max)		4	
	S05901		内六角圆柱头螺钉 M5×50(琦星)	Screw M5×50(Q)	Screw M5×50(Q)		3	
38	W01009		垫圈 5	Washer 5	Washer 5		3	
39	114130006		无线通信模块(+)	RF wireless data communication module(+)	RF wireless data communication module(+)		1	
40	10122007		下轴工艺孔塞	Rubber plug	Rubber plug		1	
41	11503001000		一体机电控面板组件(琦星)	Control panel(Q)	Control panel(Q)		1	
	11503001200		一体机电控面板组件(鲍麦)	Control panel(Power Max)	Control panel(Power Max)		1	
	11503003000		一体机电控面板组件(鲍麦)(+)	Control panel(Power Max)(+)	Control panel(Power Max)(+)		1	
42	14322007		橡皮塞(双孔)	Rubber plug	Rubber plug		1	
43	138508006		小夹线器固定螺钉 SM3/16"×28 L=7	Screw SM3/16"×28 L=7	Screw SM3/16"×28 L=7		1	
44	13810008		小夹线器螺柱	Thread tension post	Thread tension post		1	
45	13812066		过线板	Thread tension guide plate	Thread tension guide plate		1	
46	14112017		小夹线板	Thread tension disk	Thread tension disk		2	
47	11227001		小夹线弹簧	Thread tension spring	Thread tension spring		1	
48	141516019		小夹线器螺母	Thread tension nut	Thread tension nut		1	
49	1411300400		小夹线器组件	Thread tension asm.	Thread tension asm.		1	
50	11411300200		夹线器组件(自制)	Thread tension asm.	Thread tension asm.		1	
	1411300500		夹线器组件(厚)	Thread tension asm.(H)	Thread tension asm.(H)		1	
51	141516013		夹线螺母	Thread tension nut	Thread tension nut		1	
52	10112007		夹线制动板	Thread disk rotating stopper	Thread disk rotating stopper		1	
53	10127002		夹线弹簧	Thread tension spring	Thread tension spring		1	
	11427050		夹线弹簧(厚料)	Thread tension spring A (H)	Thread tension spring A (H)		1	
54	14112016		松线板	Disk stopper	Disk stopper		1	
55	14112015		夹线板	Thread tension disk	Thread tension disk		2	
56	141530001		夹线螺钉	Thread tension post	Thread tension post		1	
57	10127001		挑线簧	Thread take-up spring	Thread take-up spring		1	
	10127031		挑线簧(厚料)	Thread take-up spring(H)	Thread take-up spring(H)		1	
58	10103011		挑线簧调节座	Thread tension base	Thread tension base		1	
59	10122014		挑线簧调节座 O型圈	Rubber ring	Rubber ring		1	
60	101515005		夹线螺钉紧固螺钉 SM9/64"×40 L=5.5	Screw SM9/64"×40 L=5.5	Screw SM9/64"×40 L=5.5		1	
61	11326012		松线钉	Tension release pin	Tension release pin		1	
62	101511007		右线钩螺钉 SM11/64"×40 L=6	Screw SM11/64"×40 L=6	Screw SM11/64"×40 L=6		2	
63	10113004		右线钩	Thread guide right	Thread guide right		2	
64	101515010		左销螺钉 SM15/64"×28 L=10.5	Screw SM15/64"×28 L=10.5	Screw SM15/64"×28 L=10.5		1	
65	401516001		螺母 SM11/64"×40	Nut SM9/64"×40	Nut SM9/64"×40		1	
66	11413011		固定式缓线钩	Thread guide	Thread guide		1	
67	101511002		卷边器座螺钉	Screw SM11/64"×40 L=5.5	Screw SM11/64"×40 L=5.5		1	
68	13812019		卷边器座	Ruler stop seat	Ruler stop seat		1	
69	207514007		GB/T80 凹端紧定螺钉 M4×6	Screw M4X6	Screw M4X6		1	
70	11493000300		电子夹线器组件	Nest less e-device	Nest less e-device		1	
71	104517002		针板螺钉	Screw SM11/64"×40	Screw SM11/64"×40		2	
72	13815011		针板(2.0)	Needle plate	Needle plate		1	
	11315001		针板(厚料)	Needle plate(H)	Needle plate(H)		1	
	10815001		针板(-7)	Needle plate(-7)	Needle plate(-7)		1	
73	140512001		底板支柱	Machine head stud	Machine head stud		2	
74	101511019		推板簧螺钉	Slide plate	Slide plate		2	
75	10127009		推板簧	Slide plate spring	Slide plate spring		1	
76	10115002		推板	Screw SM3/32"×56 L=2	Screw SM3/32"×56 L=2		1	
77	101511026		油泵安装螺钉 SM15/64"×28 L=9	Screw SM15/64"×28 L=9	Screw SM15/64"×28 L=9		1	



2. 上轴、挑线部件/Main Shaft & Thread Take-up Components

序号NO.	公司件号	Part NO.	名称	PartName	零件描述	Description	数量	Number
1	10126001		挑线连杆销		Thread take-up connecting rod pin		1	
	11326013		挑线连杆销(中厚料)		Thread take-up connecting rod pin(H-M)			
	H05013		开口挡圈 6 (中厚料)		Snap ring 6 (H-M)		1	
2	101515001		上轮螺钉SM15/64"x28 L=15		Screw SM15/64"x28 L=15		1	
	11305010		挑线连杆		Thread take-up connecting rod		1	
3	10105001		挑线连杆(厚料)		Thread take-up connecting rod(H)		1	
	10112003		针杆曲柄护板		Needle bar crank protecting plate		1	
4	1013800100		挑线杆分组件		Thread take-up lever asm.		1	
	1133800200		挑线杆组件(厚料)		Thread take-up lever asm.(H)		1	
5	10124001		挑线杆滚针轴承		Needle bearing		2	
	1011000100		挑线曲柄分部件		Thread take-up crank		1	
6	1011000400		挑线曲柄分部件(厚料)		Thread take-up crank(H)		1	
	11310010		挑线曲柄分部件(中厚料)		Thread take-up crank(H-M)		1	
7	10105002		针杆连杆		Needle bar connecting rod		1	
	101517001		挑线曲柄螺钉(左旋)		Screw		1	
8	101515004		针杆曲柄紧固螺钉SM9/32"x28 L=16		Screw SM9/32"x28 L=16		1	
	101511003		针杆曲柄定位螺钉SM9/32"x28 L=16		Screw SM9/32"x28 L=16		1	
9	10404001		针杆曲柄		Needle bar crank		1	
	11404035		针杆曲柄(厚料)		Needle bar crank(H)		1	
10	101515002		送料轴挡圈螺钉SM1/4"x40 L=6		Screw SM1/4"x40 L=6		2	
	1140300200		上轴前轴套组件		Main shaft bushing front		1	
11	101515006		夹线器螺钉SM15/64"x28 L=7		Screw SM15/64"x28 L=7		1	
	12203002		主轴中轴套		Main shaft bushing mid		1	
12	101514001		上轴中套挡圈螺钉		Screw		4	
	10108001		上轴挡圈		Main shaft thrust collar		2	
13	H03002		挡圈20		Snap ring 20		1	
	400092		送料偏心轮		Feed eccentric cam		1	
14	400006		送料偏心轮(中厚料)(H-7)		Feed eccentric cam (H-M)(H-7)		1	
	10112017		送料偏心轮盖板		Cover plate		1	
15	101511013		送料偏心轮螺钉 SM1/4"x40 L=13		Screw SM1/4"x40 L=13		2	
	113511003		护针片螺钉SM9/64"x40 L=5		Screw SM9/64"x40 L=5		2	
16	13803002		上轴后轴套		The rear axle sleeve		1	
	10122105		上轴后套挡油油封		Oil seal		1	
17	H03001		GB/T894.1-1986挡圈15		Snap ring 15		1	
	115002002		上轴		Main shaft		1	
18	S10026		GB/T80-1985螺钉M3x3(进口)		Screw M3x3		2	
	115008001		电机防尘套		Motor dust jacket		1	
19	S10009		螺钉		Screw		2	
	302830		手轮(喷漆)		Handwheel		1	
20	13831015		塑料袋28x18(cm)厚0.03mm		Plastic bag 28cmx18cmx0.03mm		1	
	195100073		电机罩壳组件(配琦星)		Motor cover asm(Q)		1	
21	95100172		电机罩壳组件(配鲍麦)		Motor cover asm(Power Max)		1	
	95100117		电机光栅组件(配琦星)		Motor grating sensor asm(Q)		1	
22	95100116		电机光栅组件(配鲍麦)		Motor grating sensor asm(Power Max)		1	
	S09022		内六角平端紧定螺钉 M3x4		Screw M3x4		1	
23	S09162		内六角平端紧定螺钉 M6x6		Screw M6x6		1	
	95100182		电机转子总成		Motor rotor		1	
24	95100171		电机定子总成		Motor stator		1	
	13811060		电机绝缘防护罩		Motor insulation shield		1	
25	W02058		GB 93-1987弹垫d5		Spring washer 5		3	
	S05901		内六角圆柱头螺钉 M5x50		Screw M5x50		3	
26	S09162		内六角平端紧定螺钉 M6x6		Screw M6x6		1	
	S09022		内六角平端紧定螺钉 M3x4		Screw M3x4		1	
27	951515011		一字槽小盘头螺钉组合件 M3x12		Screw M3x12		5	
	10122012		上轴孔塞		Rubber plug		1	
28	115033001		光电伺服电机(琦星)		Motor(Q)		1	
	113833087		光电伺服电机(鲍麦)		Motor(Power Max)		1	
29	14112004		防油罩		Oil shield		1	
	14123001		防油罩油棉		Oil cotton		1	
30	141511002		圆柱头螺钉SM3/16"x28 L=4.5		Screw SM3/16"x28 L=4.5		1	



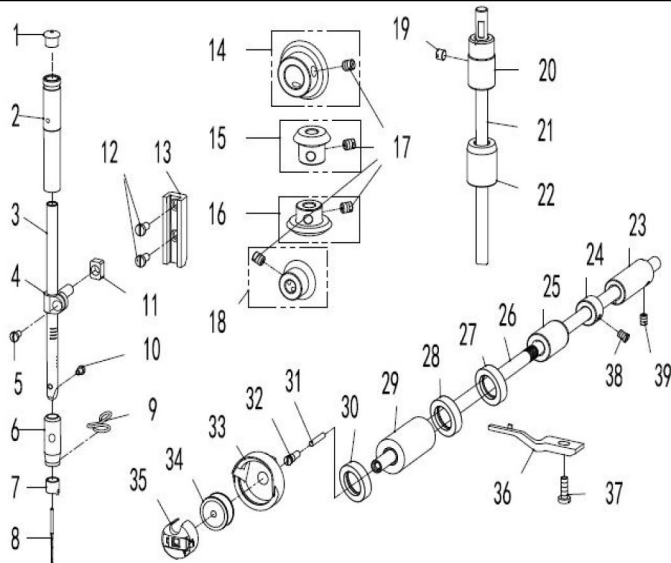
### 3. 料号、自动抬压脚部件(1)/Presser Bar & Auto Lifter Components (1)

序号NO.	公司件号	Part NO.	名称	PartName	零件描述	Description	数量	Number
1	101511010		压脚扳手螺钉 SM9/64"x40 L=11		Screw SM9/64"x40 L=11		1	
2	10128002		压脚扳手螺钉垫圈		Washer		1	
3	13811029		压脚扳手		Hand lifter		1	
4	001004		O型圈		Rubber ring		1	
5	1411000200		压脚扳手凸轮分部件		Hand lifter cam asm.		1	
6	101520001		前杠杆螺纹销		Screw		2	
7	10128015		螺纹销橡胶垫圈(厚)		Washer(H)		2	
8	1411201100		抬压脚前杠杆分部件		Lift front lever component		1	
9	14312012		抬压脚拉杆		Knee lifter pull rod		1	
10	H05003		GB/T896-1986挡圈 5		Snap ring		2	
11	11329020		挡圈 5		Snap ring		2	
12	14112018		压脚升降板		Lifting plate		1	
13	101520004		抬压脚拉杆螺钉 SM3/16"x32		Hinge Screw SM3/16"x32		1	
14	1431201200		抬压脚前杠杆组件		Knee lifter lever asm		1	
15	101520003		后杠杆轴位螺钉 SM15/64"x28		Hinge screw SM15/64"x28		1	
16	11312034		抬压脚后杠杆		Knee lifter back lever		1	
17	11326005		销子		Pin		1	
18	113829001		R形弹性开口销 φ1.5		Cotter pin		1	
19	11326006		电磁铁接头		Solenoid connector		1	
20	113516004		法兰螺母 M8		Flange nuts M8		1	
21	11322008		电磁铁上垫片		washer		1	
22	11493000600		抬压脚电磁铁组件		Solenoid asm.		1	
23	101511001		后窗板螺钉 SM3/16"x28 L=9		screw SM3/16"x28 L=9		4	
24	114112022		抬压脚顶杆		Knee lifter connecting rod		1	
25	10127003		松线辅钉弹簧		Spring		1	
26	10128001		松线辅钉垫片		washer		1	
27	H05012		挡圈4 ( 日标 )		Snap ring		1	
28	10126003		松线辅钉		Thread release supporting pin		1	
29	114127002		松线顶板复位簧		Spring		1	
30	115026001		松线顶板连接销		Pin		1	
31	138508006		小夹线器固定螺钉 SM3/16"x28 L=7		Screw SM3/16"x28 L=7		1	
32	14128001		松线顶板垫片		Loose top gasket		1	
33	H03054		GB/T894.1-1986挡圈6		Snap ring 6		1	
34	14101017		松线顶板		Wire release plate		1	
35	138508006		小夹线器固定螺钉 SM3/16" L=7		Screw SM3/16" L=7		1	
36	11503002000		松线电磁铁组件		Solenoid		1	
37	12922015		橡皮塞		spout plug		1	
38	114122006		松线油封		Oil seal		1	
39	13811027		调压螺钉		Press regulating screw		1	
	1138NS30003		调压螺钉(厚)		Press regulating screw (H)		1	
40	1381102700		调压螺钉组件		Presser regulating screw nut asm.		1	
41	13811028		调压螺母		Press regulating nut		1	
	1138NS16005		调压螺母(厚)		Press regulating nut(H)		1	
42	10102003		调压导杆		Press regulating guide bar		1	
43	113827010		调压簧		Press regulating spring		1	
	10127024		调压簧(厚)		Press regulating spring(H)		1	
44	13809030		压杆导架		Presser bar guide bracket		1	
45	101515007		压杆导架螺钉 SM1/4"x40 L=8		Screw SM1/4"x40 L=8		1	
46	10122112		压杆防油套		Pressure bar oil cover		1	
47	113803007		压杆衬套		Presser bar bushing,lower		1	

### 3. 压料、自动抬压脚部件(2)/Presser Bar & Auto Lifter Components (2)

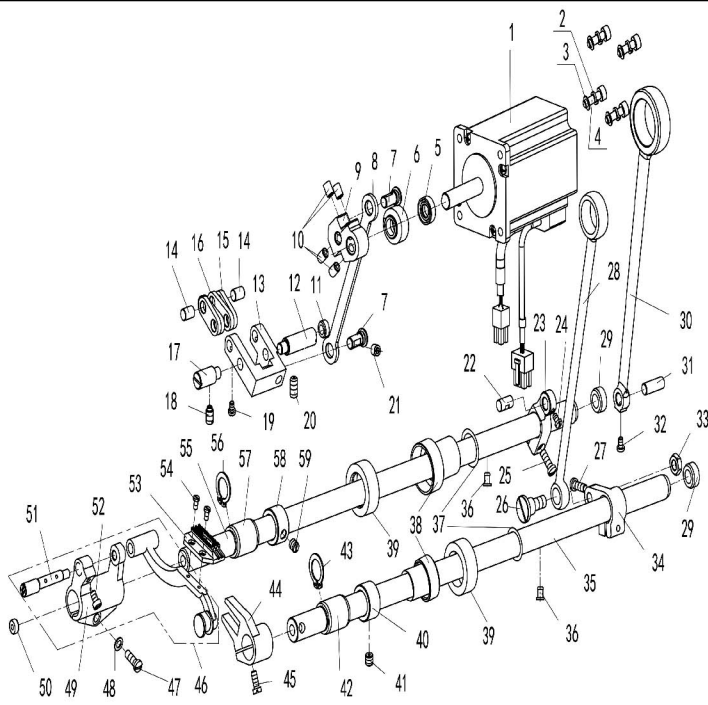
序号NO.	公司件号 Part NO.	名称 PartName	零件描述 Description	数量 Number
48	113802009	压杆	Presser bar	1
49	101511009	活压脚螺钉 SM9/64"x40 L=10.5	Screw SM9/64"x40 L=10.5	1
50	1131600600	压脚组件	Presser foot asm	1
	1131600300	压脚组件(厚)	Presser foot asm(H)	1

4



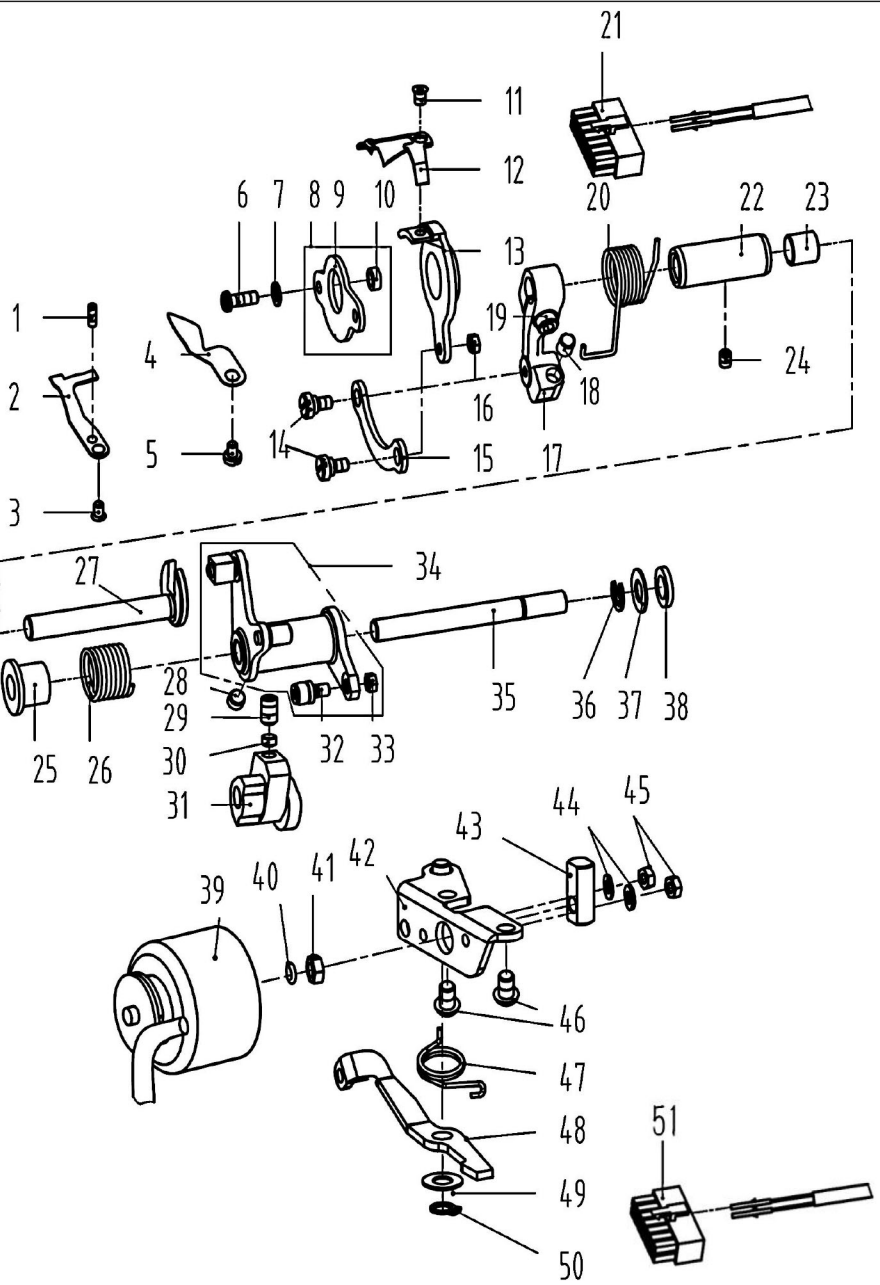
#### 4. 针杆、竖轴、下轴部件/Needle bar & Upright Shaft & Hook Driving Shaft Components

序号NO.	公司件号	Part NO.	名称	PartName	零件描述	Description	数量	Number
1	10122013		针杆上衬套孔塞		Rubber plug		1	
2	14103009		针杆上衬套		Needle bar bushing upper		1	
	10103009		针杆上衬套 (厚料)		Needle bar bushing upper(H)		1	
3	11402039		针杆		Needle bar		1	
	10102021		针杆(厚料)		Needle bar (H)		1	
4	10138002		针杆连接柱		Needle bar connecting rod		1	
5	101511005		螺钉 SM9/64"x40 L=6		Screw SM9/64"x40 L=6		1	
6	10103010		针杆下衬套		Needle bar bushing lower		1	
	11303023		针杆下衬套(厚料)		Needle bar bushing lower(H)		1	
7	10113002		针杆线勾		Needle bar thread guide		1	
	11412063		针杆线勾(厚料)		Needle bar thread guide(H)		1	
8	13817001		机针 (定位14#)		Needle		1	
	10117002		机针DPx5#21(厚料)		Needle(H)		1	
9	10413001		针杆下衬套线勾		Lower bushing thread guide		1	
	10113009		针杆下衬套线勾(厚料)		Lower bushing thread guide(H)		1	
10	104511006		支针螺钉(进口) SM11/8"x44 L=4.5		Screw SM11/8"x44 L=4.5		1	
11	10109001		针杆连接柱滑块		Slide block		1	
12	101511008		滑块导轨螺钉 SM11/64"x40 L=8		Screw SM11/64"x40 L=8		2	
13	10109002		针杆接头滑块导轨		Needle bar guide		1	
14	10425004		上轴伞齿轮		Upper shaft bevel gear		1	
15	10425003		竖轴上伞齿轮		Upper small bevel gear asm		1	
16	10425002		竖轴下伞齿轮		lower large bevel gear asm		1	
17	101515014		齿轮螺钉 SM11/4"x40 L=7		Screw SM11/4"x40 L=7		8	
18	10425001		下轴伞齿轮		Hook drive shaft bevel gear		1	
19	113511036		一字开槽紧定螺钉 SM15/64"x28 L=4.7		Screw SM15/64"x28 L=4.7		1	
20	10403020		竖轴上轴套		Upright shaft bushing upper		1	
21	10102007		竖轴		Upright shaft		1	
22	113803004		竖轴下轴套		Upright shaft bushing lower		1	
23	10403019		下轴后轴套		Hook driving shaft bushing back		1	
24	115008002		下轴挡圈		Hook driving shaft snap ring		1	
25	14003004		下轴中套		Lower shaft middle bushing		1	
26	14402003		下轴		Hook driving shaft		1	
27	11522001		油封组件12		oil seal 12		1	
28	114122004		下轴前套油封(大)		oil seal		1	
29	14003001		下轴前轴套组件		Hook driving shaft bushing front		1	
30	1142201600		油封组件		oil seal		1	
31	13823001		下轴限油芯		Oil wick		1	
32	101530005		下轴限油螺钉		set screw		1	
33	11418003		广濑中厚料旋梭(扩大缝切范围)		Hook asm ( Hirose )		1	
	11418004		广濑厚料旋梭(新)(有尾巴)(厚)		Hook asm(Hirose)(H)		1	
34	10118003		梭心		Bobbin		1	
35	11218504		梭壳		Bobbin case asm.		1	
36	10112016		旋梭定位钩		Finger postioner		1	
	10112032		旋梭定位钩(厚料)		Finger postioner(H)		1	
37	116511005		牙架曲柄螺钉 SM11/64"x40 L=13		Screw SM11/64"x40 L=13		1	
38	101511012		下轴挡圈螺钉 SM11/64"x40 L=4.8		Screw SM11/64"x40 L=4.8		2	
39	113514020		下轴后套螺钉 SM11/64"x40 L=6		Screw SM11/64"x40 L=6		1	



## 5. 送料部件/Feed Mechanism Components

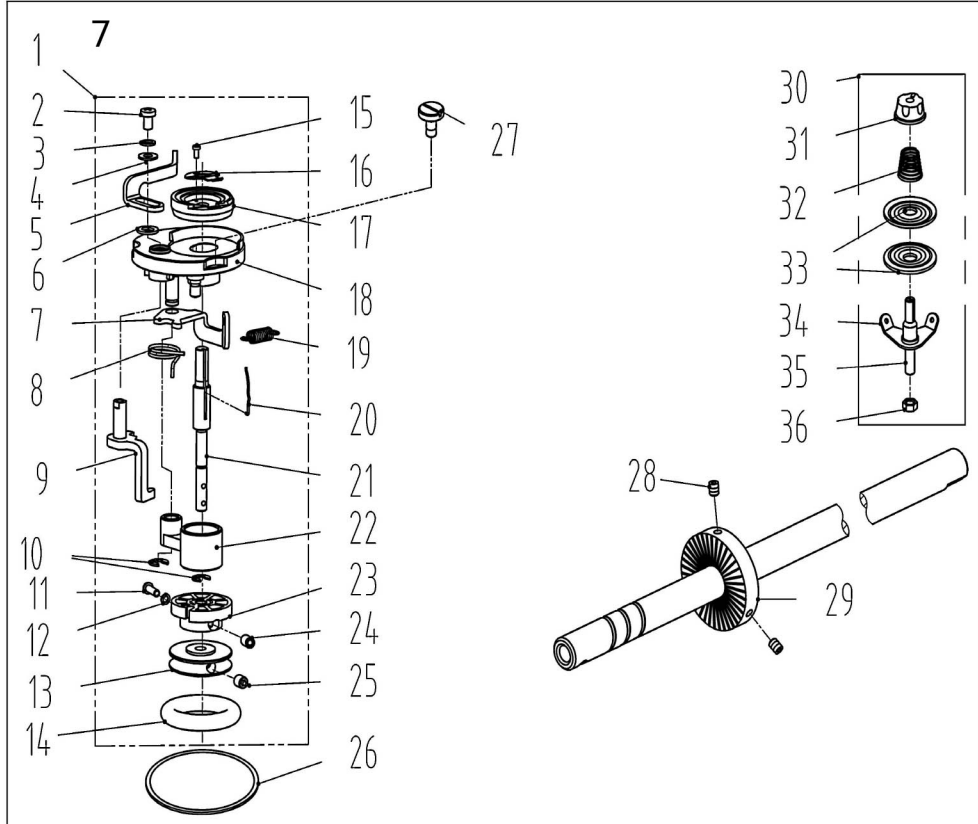
序号NO.	公司件号	Part NO.	名称	PartName	零件描述	Description	数量	Number
1	114933002		步进电机(琦星)	Stepper motor(Q)	1			
	115033004		步进电机(琦星1000线)(-7)	Stepper motor(Q)(-7)	1			
	115033002		步进电机(鲍麦)	Stepper motor(Power Max)	1			
2	W03002		弹簧垫圈5	Spring washer 5	4			
3	10128003		平垫圈5	Washer 16	4			
4	409511020		六角圆柱头螺钉SM3/16"x28	Screw SM3/16"x28	4			
5	114922002		步进电机轴套油封	Stepper motor bushing oil seal	1			
6	114903001		步进电机轴套	Stepper motor bushing	1			
7	114926001		针距曲柄销	Needle gage crank pin	2			
8	114905001		针距连杆	Needle pitch rod	1			
9	114904001		针距曲柄	Needle gage crank	1			
10	510009		螺钉M6x8	Screw M6x8	4			
11	14022015		右销孔塞	spout plug	1			
12	10126010		送料摆动板座右销	Right pin	1			
13	114901001		送料摆动板座	Feed shaking plate bed components	1			
	114901004		送料摆动板座(-7)	Feed shaking plate bed components(-7)	1			
14	10126007		短摆动板连杆销	Connecting pin	2			
15	11412022		送料短摆动板	Feed short shaking plate	2			
	13809007		送料短摆动板(厚料)	Feed short shaking plate(H)	2			
16	13809008		送料长摆动板	Feed long shaking plate	2			
17	10126009		送料摆动板座右销	Left pin	1			
18	101515010		左销螺钉 SM15/64"x28 L=10.5	Screw SM15/64"x28 L=10.5	1			
19	101511005		螺钉 SM9/64"x40 L=6	Screw SM9/64"x40 L=6	2			
20	113514010		左销螺钉SM15/64"x28 L=12	Screw SM15/64"x28 L=12	1			
21	101514001		上轴中套挡圈螺钉SM1/4"x40	Screw SM1/4"x40	1			
22	10126011		送料曲柄销	Feed rocker crank pin	1			
23	10104002		送料曲柄	Feed rocker shaft crank	1			
	11304010		送料曲柄(-7)	Feed rocker shaft crank(-7)	1			
24	101511005		螺钉 SM9/64"x40 L=6	Screw SM9/64"x40 L=6	1			
25	101511016		送料曲柄螺钉SM3/16"x28 L=14	Screw SM3/16"x28 L=14	1			
26	101520005		抬牙连杆轴位螺钉 SM9/32"x28	hinge Screw SM9/32"x28	1			
27	101511016		送料曲柄螺钉 SM3/16"x28 L=14	Screw SM3/16"x28 L=14	1			
28	400093		抬牙连杆	Connecting rod	1			
29	114022002		橡皮塞15.5	Rubber plug 15.5	2			
30	400091		送料连杆	Rocker shaft connecting rod	1			
	13805002		送料连杆(厚料)	Rocker shaft connecting rod(H)	1			
	400083		送料连杆(-7)	Rocker shaft connecting rod(-7)	1			
31	10126006		送料连杆销	Connecting rod pin	1			
32	101511005		螺钉 SM9/64"x40 L=6	Screw SM9/64"x40 L=6	1			
33	101516003		抬牙连杆轴位螺母 SM9/32"x28	Hinge Screw SM9/32"x28	1			
34	10104004		抬牙后曲柄	Feed driving shaft crank	1			
35	14402007		抬牙轴	Feed driving shaft	1			
36	14022008		送料轴油线孔塞	Plug	2			
37	114022001		送料轴后轴套密封圈	Rubber ring	2			
38	14003002		送料轴后轴套	axle sleeve	2			
39	1142200800		油封组件22	oil seal	2			
40	10108003		送料轴挡圈	Feed rocker shaft snap ring	1			
41	101515002		送料轴挡圈螺钉SM1/4"x40 L=6	Screw SM1/4"x40 L=6	2			
42	10403015		轴套	Bushing	1			
43	H03001		GB/T894.1-1986挡圈 15	Snap ring 15	1			
44	10104003		抬牙叉形曲柄	Driving shaft crank	1			
	10804003		抬牙叉形曲柄(厚料)	Driving shaft crank(H)	1			
	10804003		抬牙叉形曲柄(-7)	Driving shaft crank(-7)	1			
45	1138NS30004		抬牙叉形曲柄螺钉SM11/64"x40 L=10.5	Screw SM11/64"x40 L=10.5	1			
46	11380700300		牙架组件(成品)	Feed bar asm.	1			
47	101511016		送料曲柄螺钉SM3/16"x28 L=14	Screw SM3/16"x28 L=14	1			
48	10128003		牙架座螺钉垫圈	Washer	1			
49	480095		牙架座	Feed bar bed.	1			
50	14022003		送料轴前孔塞	spout plug	1			
51	10401007		牙架销(自制)	Feed bar pin	1			
52	101511025		复位板螺钉SM11/64"x40 L=7	Screw SM11/64"x40 L=7	1			
53	13814005		送料牙	Feed dog	1			
	11314001		送料牙(厚料)	Feed dog (H)	1			
	11414001		送料牙(-7)	Feed dog (-7)	1			
54	101511018		送料牙螺钉 SM1/8"x44 L=6	Screw SM1/8"x44 L=6	2			
55	14402008		送料轴	Feed rocker shaft	1			
56	H03001		GB/T894.1-1986挡圈 15	Snap ring 15	1			
57	10403015		轴套	Bushing	1			
58	10108003		送料轴挡圈	Feed rocker shaft snap ring	1			
59	101515002		送料轴挡圈螺钉SM1/4"x40 L=6	Screw SM1/4"x40 L=6	2			



## 6. 切线部件/Thread Trimmer Components

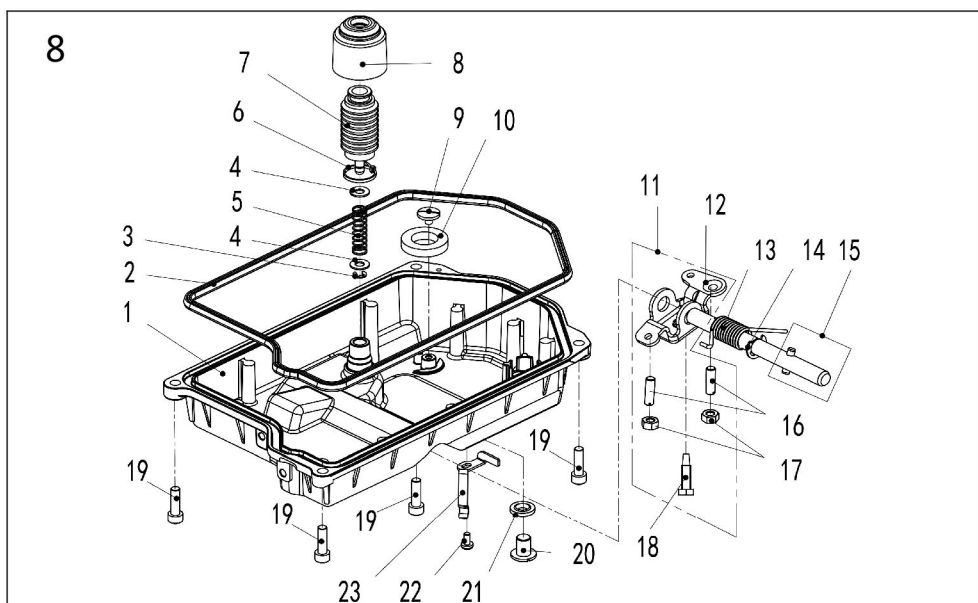
序号NO.	公司件号	Part NO.	名称	PartName	零件描述	Description	数量	Number
1	113515002		定刀调节螺钉 SM11/8"x44 L=9.5	Screw SM11/8"x44 L=9.5	Screw SM11/8"x44 L=9.5		1	
2	115019001		定刀	Secant knife	Secant knife		1	
3	113517001		螺钉 SM9/64"x40	Screw SM9/64"x40	Screw SM9/64"x40		1	
4	11312003		护针片	Needle guard patch	Needle guard patch		1	
5	201511009		螺钉 SM9/64"x40 L=5.5	Screw SM9/64"x40 L=5.5	Screw SM9/64"x40 L=5.5		1	
6	113511001		螺钉 SM11/64"x40 L=12	Screw SM11/64"x40 L=12	Screw SM11/64"x40 L=12		2	
7	10128003		牙架座螺钉垫圈	Washer	Washer		2	
8	14012004		刀架压板组件	Knife bracket press component	Knife bracket press component		1	
9	14012032		偏心连杆	Eccentric connecting rod	Eccentric connecting rod		1	
10	11303012		短套	Short bushing	Short bushing		2	
11	113517002		活动刀固定螺钉 SM11/64"x40 L=4.4	Screw SM11/64"x40 L=4.4	Screw SM11/64"x40 L=4.4		2	
12	14019004		活动刀(薄料短槽)	Moterial knife(For the No Bird's Nest Comp	Moterial knife(For the No Bird's Nest Comp		1	
13	114119002		活动刀(厚料短槽)	Moterial knife(H)	Moterial knife(H)		1	
14	11307001		剪线刀架	Knife bracket	Knife bracket		1	
15	113520001		连杆螺钉 SM11/64"x40	hinge Screw SM11/64"x40	hinge Screw SM11/64"x40		2	
16	114112013		连杆	Connecting rod	Connecting rod		1	
17	114516004		螺母 SM11/64"x40	Nut SM11/64"x40	Nut SM11/64"x40		1	
18	14004002		切线曲柄	Crank	Crank		1	
19	11322001		驱线曲柄止动块	Crank driver stopper block	Crank driver stopper block		1	
20	S05004		螺钉 M5x14	Screw M5x14	Screw M5x14		1	
21	11327001		弹簧	Spring	Spring		1	
22	11230004		14孔接线器	Plug	Plug		1	
23	11303003		切线轴套	Thread cutting shaft bushing	Thread cutting shaft bushing		1	
24	11503005		驱线曲柄轴衬套	Crank drive shaft bushing	Crank drive shaft bushing		1	
25	113514020		螺钉 SM11/64"x40 L=6	Screw SM11/64"x40 L=6	Screw SM11/64"x40 L=6		1	
26	11322002		扭簧端盖	Spring cover	Spring cover		1	
27	11327002		弹簧	Spring	Spring		1	
28	11304002		切线凸轮曲柄轴	Crank shaft	Crank shaft		1	
29	101514001		上轴挡圈螺钉 SM1/4"x40	Screw SM1/4"x40	Screw SM1/4"x40		1	
30	116514005		螺钉 SM1/4"x40 L=10	Screw SM1/4"x40 L=10	Screw SM1/4"x40 L=10		2	
31	11309030		凸轮顶柱	Push rod	Push rod		2	
32	11310004		剪线凸轮	Cam	Cam		1	
33	11310011		剪线凸轮(厚料)	Cam(H)	Cam(H)		1	
34	11324001		滚柱	Rolling pin	Rolling pin		1	
35	1138N516001		螺母 SM11/64"x40	Nut SM11/64"x40	Nut SM11/64"x40		1	
36	1400400100		剪线驱动组件	Thread trimmer drive asm.	Thread trimmer drive asm.		1	
37	14002004		切线驱动轴	Shaft	Shaft		1	
38	H05013		GB/T896-1986挡圈6	Snap ring 6	Snap ring 6		1	
39	10112003		针杆曲柄护板	Cunfer weight protecting	Cunfer weight protecting		1	
40	11322003		电磁铁缓冲片	Solenoid cushion rubber	Solenoid cushion rubber		1	
41	11493000500		剪线电磁铁组件	Thread trimmer solenoid asm.	Thread trimmer solenoid asm.		1	
42	113822005		电磁铁橡胶垫	Washer	Washer		1	
43	112516006		螺母 SM1/4"x40	Nut SM1/4"x40	Nut SM1/4"x40		1	
44	1401200200		切线电磁铁支架组件	Bracket	Bracket		1	
45	11309001		切线电磁铁顶销	Solenoid pin	Solenoid pin		1	
46	W02018		GB/T93-1987弹簧垫圈 4	Washer	Washer		2	
47	N01005		螺母 M4	Nut M4	Nut M4		2	
48	S17002		GB/T70.2-2000内六角平圆头螺钉 M6x10	Screw M6x10	Screw M6x10		2	
49	14127003		剪线复位簧	Spring	Spring		1	
50	14112022		切线杠杆	Tangent lever	Tangent lever		1	
51	10112003		针杆曲柄护板	Needle bar crank protecting plate	Needle bar crank protecting plate		1	
52	H03015		GB/T894.1 卡簧8	Ring 8	Ring 8		1	
53	11230004		12孔接线器	Plug	Plug		1	





## 7. 绕线部件 / Bobbin Components

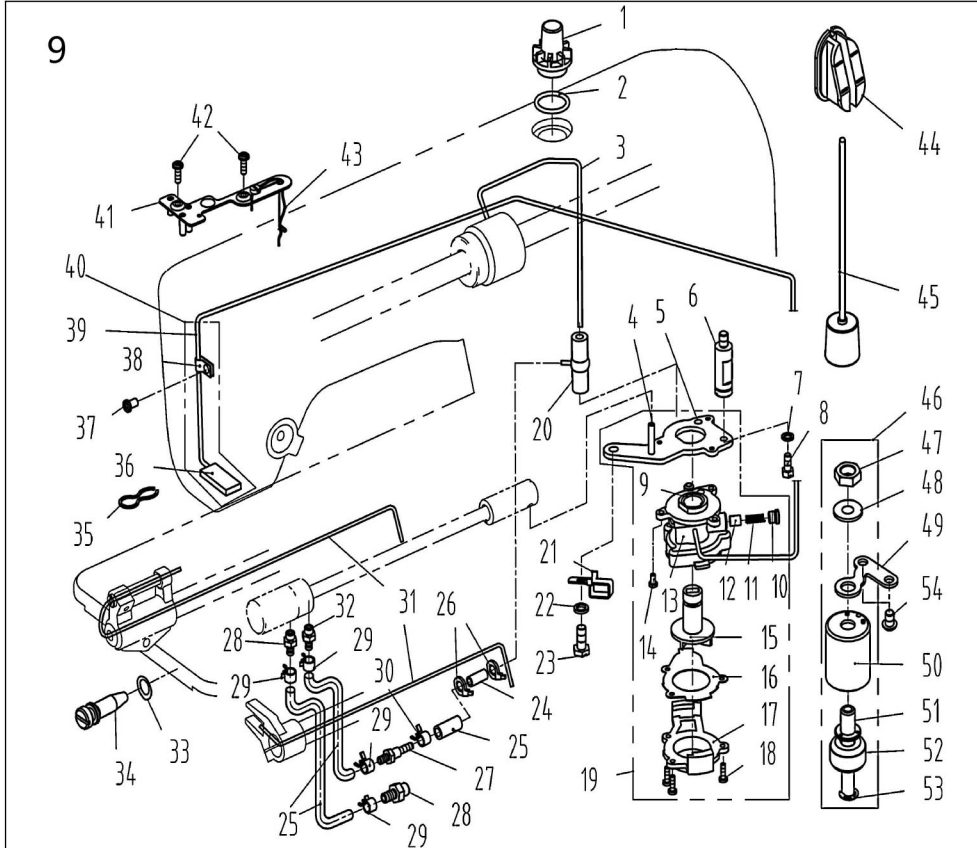
序号NO.	公司件号	Part NO.	名称	PartName	零件描述	Description	数量	Number
1	1413104900		绕线器组件		Bobbin winder asm.		1	
2	114511008		复合槽盘头螺钉 M4x6		Screw M4x6		1	
3	W02863		GB 93弹簧垫圈 4		Washer 4		1	
4	W01142		GB/T 97.1平垫圈4		Washer 4		1	
5	14113002		压线控制板		Pressure line control board		1	
6	14112020		垫圈		Washer		1	
7	13812110		调节板		Regulating plate		1	
8	13827013		消线复位簧		Reset spring		1	
9	1411000300		绕线凸轮组件		Winding cam asm.		1	
10	11329020		开口挡圈5		Ring 5		2	
11	1141NS10001		复合槽盘头螺钉 SM9/64"x40		Screw SM9/64"x40		1	
12	W02865		GB 93弹簧垫圈 3		Washer 3		1	
13	14111004		绕线轮		Winding wheel		1	
14	001110		O型圈25x7		O ring 25x7		1	
15	S04090		GB/T 818-2000螺钉 M2x4		Screw M2x4		1	
16	14119003		割线刀		Secant cutter		1	
17	14111002		绕线衬垫		Winding gasket		1	
18	113831002		绕线器装置主座		The main seat		1	
19	10127061		复位板拉簧		Drag spring		2	
20	14127060		弹簧		Spring		1	
21	14102003		绕线器主轴		principal axis		1	
22	1410510600		绕线器连杆组件		Bobbin connecting rod asm		1	
23	14111006		主动轮		Driven wheel		1	
24	N07008		GB 817带圆螺母 M9/64"x40		Nut SM9/64"x40		1	
25	S09103		绕线轮螺钉		Screw M4x4		2	
26	11422062		密封垫		Washer		1	
27	114511003		螺钉 SM3/16"x28 L=10		Screw SM3/16"x28 L=10		3	
28	S10009		螺钉 M6x8		Screw M6x8		2	
29	11435013		绕线器驱动轮		Driving wheel		1	
30	1411300600		底线夹线器		Bobbin thread tension asm.		1	
31	141516019		小夹线器螺母		Thread tension nut		1	
32	11427006		小夹线弹簧		Spring		1	
33	14112015		夹线板		Thread tension disk		2	
34	11413022		夹线过线板		Thread tension guide plate		1	
35	112513004		夹线螺钉		Screw		1	
36	114516001		螺母 SM11/64"x40		Nut SM11/64"x40		1	



## 8. 油盘、膝抬压脚部件 / Oil Reservoir & Knee Lifter Components

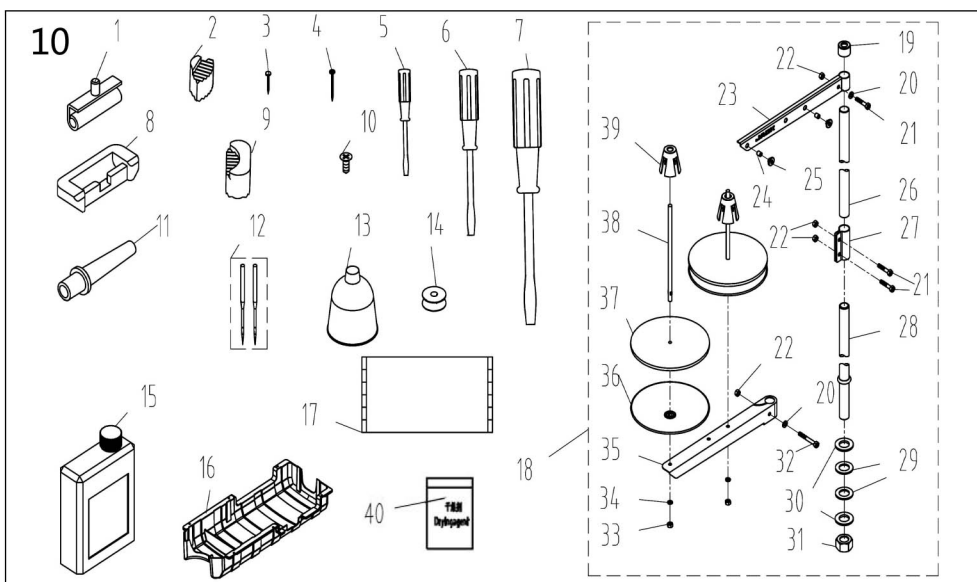
序号NO.	公司件号	Part NO.	名称	PartName	零件描述	Description	数量	Number
1	114101010		油盘		Oil reservoir		1	
2	14022001		油盘密封垫		Seal		1	
3	H05012		开口挡圈4(日标)		Snap ring 4		1	
4	40128013		垫圈 6.2x13x1		washer 6.2x13x1		2	
5	14327002		顶帽弹簧		Knee lifter push rod Spring		1	
6	11211005		自锁式尼龙扎带		Cable band		1	
7	11411012		顶帽组件		Knee lifter push rod		1	
8	114122009		顶帽防护帽		Knee lifter push rod hat		1	
9	101511023		送料调节器轴端螺钉		Screw		1	
10	10131001		油盘磁铁		Oil reservoir magnet		1	
11	1401202700		抬压脚双向曲柄组件		Lifting foot bidirectional crank asm.		1	
12	10112027		抬压脚双向曲柄		Knee lifter crank		1	
13	14027016		双向曲柄扭簧		Knee lifter spring		1	
14	H05010		挡圈9		Snap ring 9		1	
15	1400200100		抬压脚轴组件		Knee lifter shaft		1	
16	S07020		双向曲柄限位调节螺钉 M6 L=20		Screw M6 L=20		2	
17	101516004		双向曲柄限位调节螺母 M6		Nut M6		2	
18	101512002		双向曲柄螺钉		Screw		1	
19	S05240		油盘固定螺钉 M6x20		Screw M6 L=20		4	
20	20528014		油盘放油垫圈		ring		1	
21	301511015		堵油螺钉		Screw		1	
22	113511004		松线导管压板螺钉 M4x8		Screw M4x8		1	
23	114112021		电线压板		Wire clamp		1	





### 9. 润滑、油量检测部件/Oil Lubrication & Oil Measuring Components

序号NO.	公司件号	Part NO.	名称	PartName	零件描述	Description	数量	Number
1	11211004		油窗		Oil sight window		1	
2	10122019		油窗O形圈		Rubber ring		1	
3	14121001		上轴供油管		Main shaft oil tube		1	
4	10121001		下轴供油管		Hook driving shaft oil tube		1	
5	10112020		油泵安装板		Oil pump installing base		1	
6	112530005		油泵连接螺柱		Oil pump connecting stud		1	
7	W03002		弹垫		Spring washer		1	
8	209512001		压脚螺钉SM11/64 " ×40 L=10.5		Screw SM11/64 " ×40 L=10.5		1	
9	10103022		油泵体衬套		Oil pump bushing		1	
10	101530007		柱塞螺钉		Plunger Screw		1	
11	10127013		柱塞簧		Plunger spring		1	
12	10122018		回油柱塞		Plunger		1	
13	10120001		油泵体		Oil pump		1	
14	S04093		油泵螺钉		Screw		3	
15	10111003		油泵叶轮		Oil pump impeller		1	
16	10112021		油泵叶轮托板		Oil pump impeller cover		1	
17	10111007		油泵盖		Lubricating oil pump cover		1	
18	101530006		螺钉		Screw		3	
19	1012000100		油泵组件		Lubricating oil pump component		1	
20	10136001		供油管接头		Rubber joint		1	
21	14112007		过线勾		Thread hook		1	
22	W02004		GB/T93-1987弹垫M6		Spring Washer M6		1	
23	116530003		拾牙叉固定螺钉 SM15/64"×28 L=14.5		Screw SM15/64"×28 L=14.5		1	
24	14021003		铝油管		Aluminum tubing		1	
25	14021001		PVC油管		Tubing		0.48m	
26	113811004		尼龙扎带		Cable band		2	
27	14036004		油盘喷嘴		Oil nozzle		1	
28	14036002		回油嘴		Oil nozzle		2	
29	20429001		油管卡簧		Oil pipe clamp spring		4	
30	30129007		油管卡簧		Oil pipe clamp spring		1	
31	10123010		油线		Oil wick		2	
32	14036003		供油嘴		Oil nozzle		1	
33	14022011		O型圈		Rubber ring		1	
34	140530001		油量调节螺钉		Oil volume adjusting screw		1	
35	10127015		回油毡夹		Oil felt clamp		1	
36	10123006		回油毡		Oil felt felt		1	
37	101511004		挑线杆护罩螺钉 SM3/16"×28 L=7		Screw SM3/16"×28 L=7		1	
38	10112023		回油管夹		Oil tube clamp		1	
39	10121008		回油管		Oil return tube		1	
40	10121007		回油管组件		Oil return tube component		1	
41	10112025		油线固定板		Oil wick fixing plate		1	
42	101511010		压脚扳手螺钉 SM9/64"×40 L=11		Screw SM9/64"×40 L=11		2	
43	10123010		油线		Oil wick		1	
44	13811015		油窗		Oil window		1	
45	11412200200		油标组件		Buoy		1	
46	11493000700		油量检测装置组件		Oil measuring device		1	
47	140516001		螺母		Nut		1	
48	14028001		弹性垫圈		Washer		1	
49	14012006		油量检测装置固定板		Pull spring fixing plate		1	
50	14011004		油量检测罩壳		Shell		1	
51	14002005		导向柱		Guide pillar		1	
52	11493000700-02		浮子		Float		1	
53	H05009		开口挡圈6		Ring 6		1	
54	101511026		油泵安装螺钉 SM15/64"×28 L=9		Screw SM15/64"×28 L=9		2	



### 10. 机头附件/Machine Head Accessories

序号NO.	公司件号	Part NO.	名称	PartName	零件描述	Description	数量	Number
1	1011203100		机头连接钩部件		Hinge component		2	
2	14022022		机头座垫		Die cushion		2	
3	101530010		机头连接钩座钉 P19		Nail P19		2	
4	1141NS30001		机头连接钩座钉 P25		Nail P25		4	
5	10131004		螺丝刀 (小)		Screw driver,small		1	

6	10131003	螺丝刀 (中)	Screw driver,medium	1
7	20731047	螺丝刀 (大)	Screw driver,large	1
8	10122060	机头连接钩座	Head connecting rubber cushion	2
9	14022023	机头支架	Nose support	2
10	101530014	木螺钉M4x20	Wood screw M4x20	6
11	115011003	机头支柱	Machine head rest pin	1
12	13817001	机针 (定位14#)	Needle	4
	10117002	机针DP×5#21 (厚料)	Needle(H)	4
13	20131039	漏斗	Funnel	1
14	10118003	梭心	Bobbin	2
15	1381101200	油壶组件	Oiler component	1
16	115011005	油盘托盘	Disk tray	1
17	114131001	防尘罩	Dust cover	1
18	1383100300	线架组件	Thread stand asm.	1
19	20131019	线架杆顶防护橡皮	Spool rest rod rubber cap	1
20	W01047	平垫圈5	Washer 5	2
21	S04050	六角螺栓M5×16	Screw M5×16	1
22	N01034	六角螺母M5	Nut M5	4
23	13831022	上线架过线杆	Spool rest arm upper	1
24	10113011	过线圈 (内)	Thread guide ring	2
25	10113010	过线圈 (外)	Thread guide ring	2
26	13831019	线架杆上节	Spool rest rod upper	1
27	13831021	线架杆接头	Spool rest rod joint	1
28	13831020	线架杆下节	Spool rest rod lower	1
29	10122106	橡胶垫圈	Spool rest rod rubber ring	2
30	W01052	平垫圈16	Washer 16	2
31	N02004	六角薄螺母M16×1.5	Spool rest rod nut M16×1.5	1
32	S04051	六角螺栓M5×31.5	Screw M5×31.5	1
33	N01034	六角螺母M5	Nut M5	2
34	W03002	弹簧垫圈 5	Spring washer 5	2
35	13831023	下线架过线杆	Spool rest arm lower	1
36	13831024	线盘	Spool rest	2
37	20131010	线盘垫	Spool rest cushion	2
38	20131006	线托棒	Spool pin	2
39	13831025	线团防松垫	Spool retainer	2
40	113831011	干燥剂(25g)	Drying agent(25g)	1

公司地址 (Address of Company) :

中国浙江省台州市椒江区三甲东海大道东段 1008号

NO.1008, DONGHAI AVENUE EAST, JIAOJIANG DISTRICT,TAIZHOU CITY, ZHEJIANG

邮编 (Zip Code) : 318000

国内销售部(Domestic Trade Department) :

电话(TEL) : 0086-0576-88177788 88177789

传真(FAX) : 0086-0576-88177558

国贸部(International Trade Department) :

电话(TEL) : 0086-0576-88177782 88177774

传真(FAX) : 0086-0576-88177787

服务热线 : 400-8876858

http://www.chinajack.com

资料如有更改, 恕不另行通知, 以实物为准。

You will be not informed if the file has been revised.Please set sample as standard.

日期 : 2020.08.3



请您扫下杰克服务号

www.chinajack.com